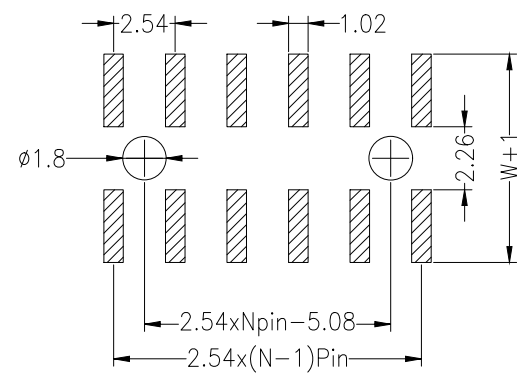
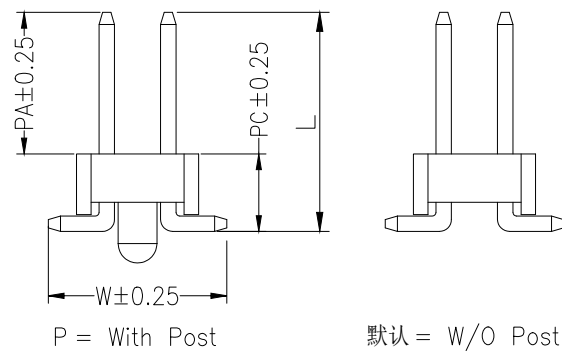
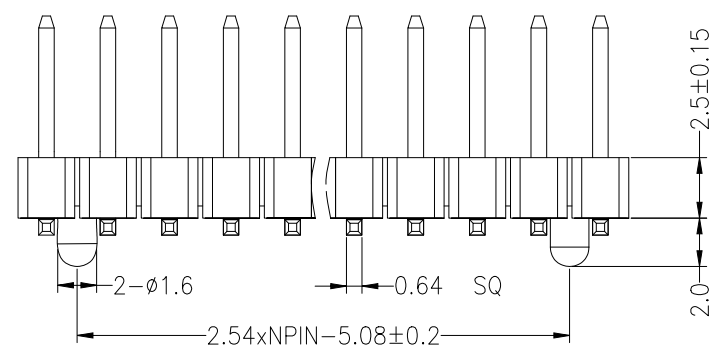


Recommended P.C.B Layout(Top Side)  
(PCB BOARD TOLERANCE±0.05)



**SPECIFICATIONS**  
 Rated Current:3.0AMP  
 Contact Resistance:20mΩ Max  
 Withstand Voltage:1000V AC/DC  
 Insulation Resistance:1000MΩ Min  
 Operation Temperature:-40°c to +105°c

Contact Material:Brass  
 Contact Plating:Au or Sn Over Ni  
 Insulator Material:Polyester(UL94V-0)  
 Standard: PA6T  
 Max.Processing Temp: 230°C for 30-60 seconds  
 (260°C for 5 seconds)



Dimension antitheses list				
ITEM	PA	PC	W	L
Standard	6.00	3.20	7.50	9.20
Alternate				

**Ordering Information**

PZ 254 - \* - N - S - 8.5 - \*\* - P

No.of Rows 1=Single Row 2=Dual Row	No.of Pins 2-40Pin	Type Z=直针 R=弯针 S=立脚 Rθ=带帽	Contact Plating G0:Gold Flash G1:1u" Gold G2:3u" Gold G3:5u" Gold G4:10u" Gold G5:15u" Gold G6:30u" Gold SQ:Gold Flash/Tin S1:Tin	Post (焊柱)
--	-----------------------	---------------------------------------	--	--------------

			GENERAL TOLERANCE		制图 DRAWING		深圳市华灿天禄电子有限公司 ShenzhenhuacantianluELECTRONICS CO.,LTD			
			DIM	TOL	审核 CHECK					
			X.X	±0.30	批准 APPROVAL		产品名称 TITLE	2.54双排 排针 贴片(塑高2.5)	版本 REV.	A
1			初版发行		比例 SCALE		产品料号 PART NO.	PZ254-2-N-S-8.5-XX	单位 UNITS	mm
序号 No.	变更内容 MODIFY CONTENT	日期 MODIFY DATE	Angle	±3.0°	投影 Projection		材料 MATERIAL		页次 SHEET	1/1