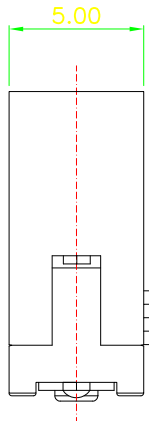
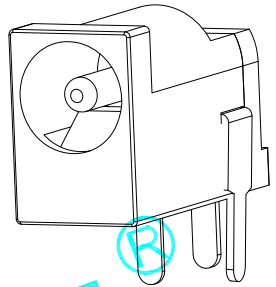


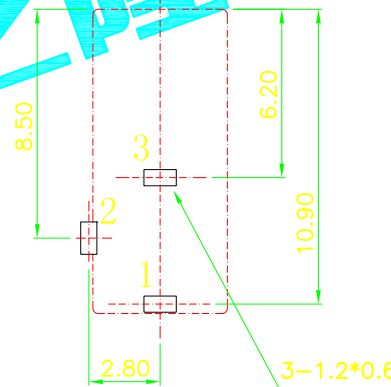
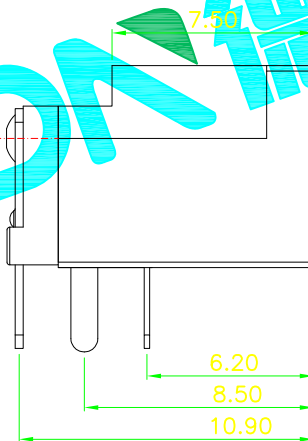
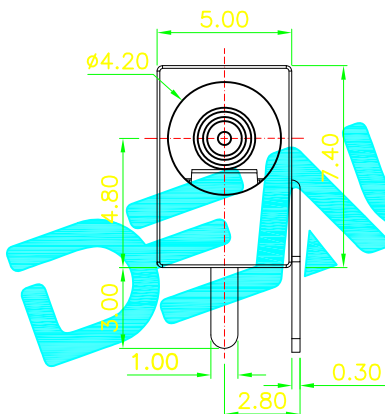
CAD FILE:



Rating:0.5A 30V DC  
Contact Resistance:100 mΩ Max.  
Operating temperature:-20℃~70℃  
Operating force:3-20N  
Operating Life:5,000cycles



Model No.	100	130
PIN	∅1.0	∅1.3



Recommended P.C.B Layout

APPROVALS	DATE	DEALON 德之隆 ELECTRONICS CO., LTD.
DRAWN G.M.Chen	2015/7/17	