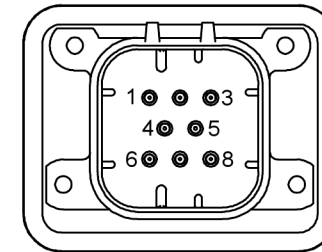
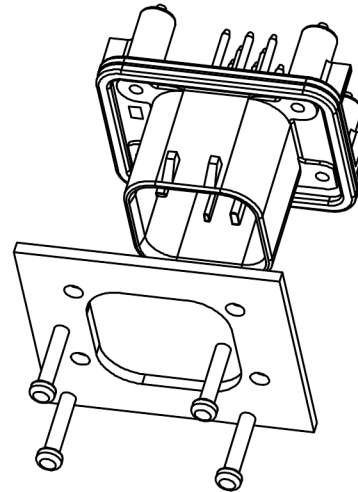
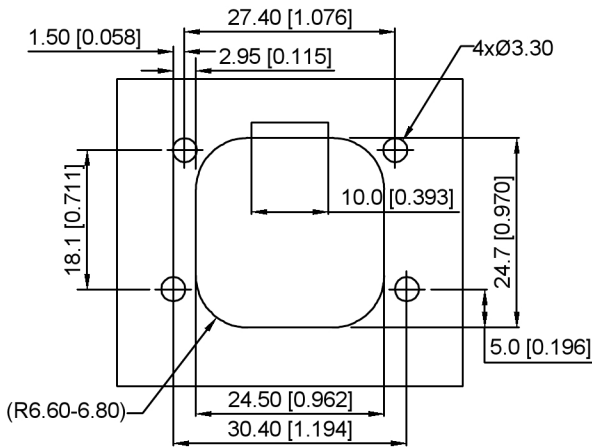


Current rating: 7A AC/DC  
 额定电流: 7A AC/DC  
 Temperature range: -40°C~+85°C  
 温度范围: -40°C~+85°C

K 776280 W V - XX - PT XX X  
 ① ② ③ ④ ⑤ ⑥ ⑦ ⑧

- 1.K: XKBTEK-Car Connector
- 2.XKB Series No
- 3.Category:W-Wafer
- 4.Welding Board Angle:V-Stright 180°
- 5.Row No.Pin No:XX-08 Pin
- 6.Material:PT-PBT
- 7.Palting:V01-Gold Flash ;SN-Plated Tin
- 8.Color:X:B-Black ; W-White ;  
GY-Gray ; BL-Blue



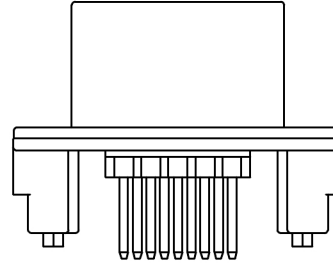
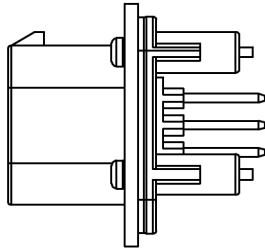
K776280WV-XX-PTXXX	PBT	Brass	K776280H
PART NO	Material	Material(Pin)	Suitable XKB Housing

DSND	SCALE: N/A	MODEL TYPE: 4.0mm automotive connector
DWN	VIEW:	PART NO.: K776280WV-XX-PTXXX
CHKD	UNIT: mm/in	DWG NO.: X-K776280WV-XX-PTXXX
APPD	SIZE: A4	WEIGHT SHEET REVISION

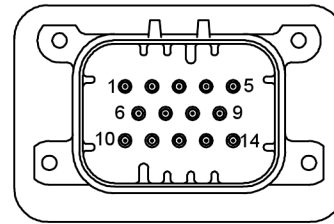
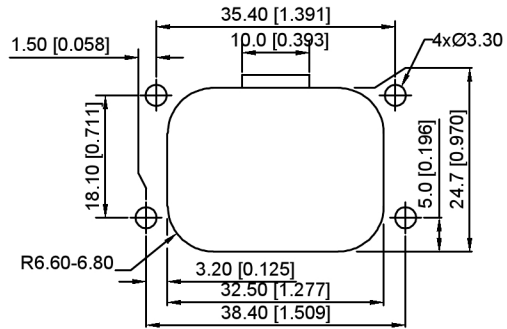
					ANGLAR	±5°
ΔX					L ≤ 4	±0.2
ΔX					4 < L ≤ 16	±0.3
ΔX					16 < L ≤ 63	±0.4
MARK	DESCRIPTION	DATE	REVISED	APPROVED	L > 63	±0.5
REVISIONS					UNSPECIFIED TOLERANCES	



XKB INDUSTRIAL PRECISION CO., LIMITED

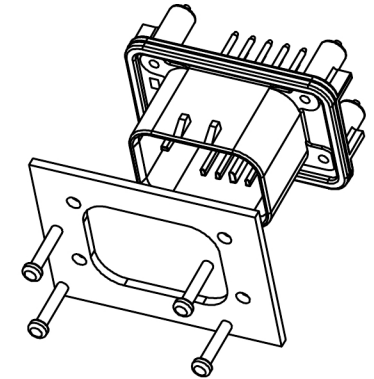
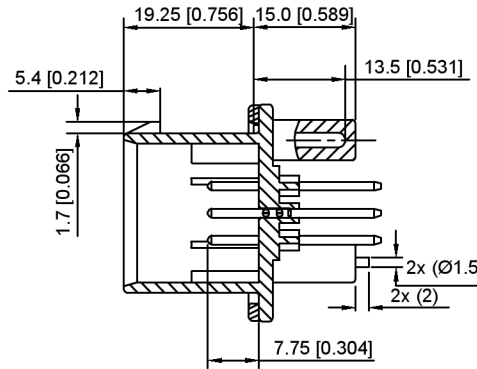
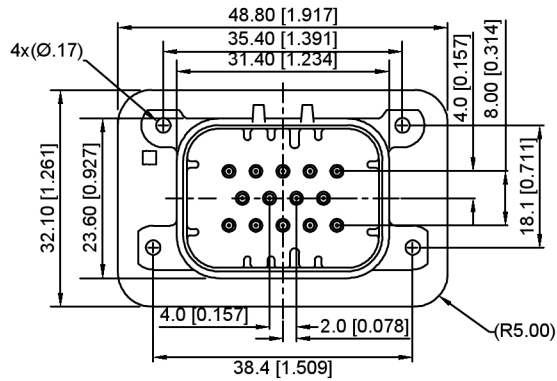


Current rating:7A AC/DC  
 额定电流: 7A AC/DC  
 Temperature range:-40°C~+85°C  
 温度范围: -40°C~+85°C



K 776280 W V - XX - PT XX X  
 ① ② ③ ④ ⑤ ⑥ ⑦ ⑧

- 1.K: XKBTEK-Car Connector
- 2.XKB Series No
- 3.Category:W-Wafer
- 4.Welding Board Angle:V-Stright 180°
- 5.Row No.Pin No:XX-14 Pin
- 6.Material:PT-PBT
- 7.Palting:V01-Gold Flash ;SN-Plated Tin
- 8.Color:X:B-Black ; W-White ; GY-Gray ; BL-Blue



K776280WW-XX-PTXXX	PBT	Brass	K776280H
PART NO	Material	Material(Pin)	Suitable XKB Housing

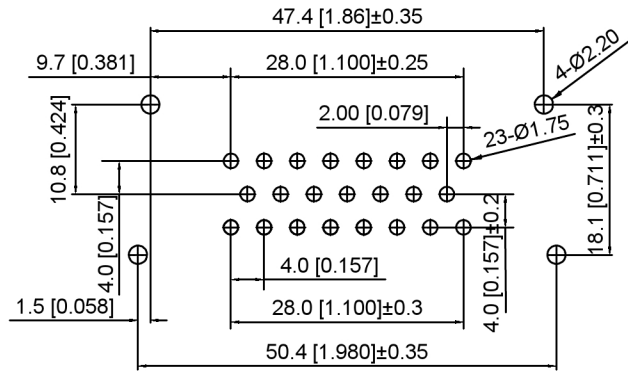
DSND		SCALE: N/A	MODEL TYPE: 4.0mmautomotive connector
DWN		VIEW:	PART NO.: K776280WW-XX-PTXXX
CHKD		UNIT: mm/in	DWG NO.: X-K776280WW-XX-PTXXX
APPD		SIZE: A4	



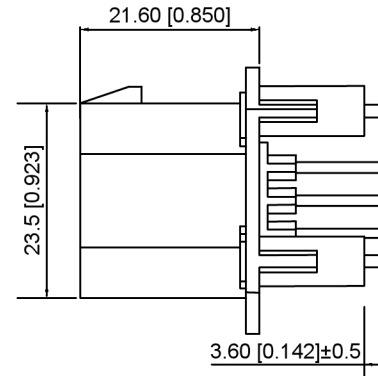
XKB INDUSTRIAL PRECISION CO.,LIMITED

WEIGHT	SHEET	REVISION
	1/1	A0

					ANGULAR	±5°
ΔX					L ≤ 4	±0.2
ΔX					4 < L ≤ 16	±0.3
ΔX					16 < L ≤ 63	±0.4
MARK					L > 63	±0.5
REVISIONS					UNSPECIFIED TOLERANCES	
DESCRIPTION					DATE	
REVISED					APPROVED	
www.helloxkb.com www.helloxkb.cn www.xk-dg.cn						



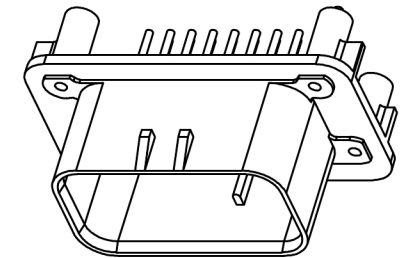
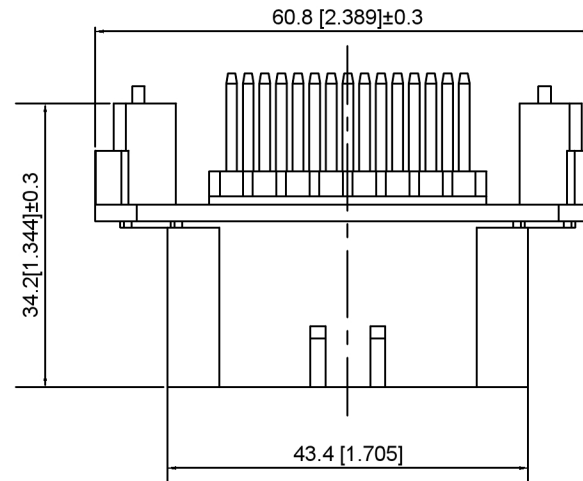
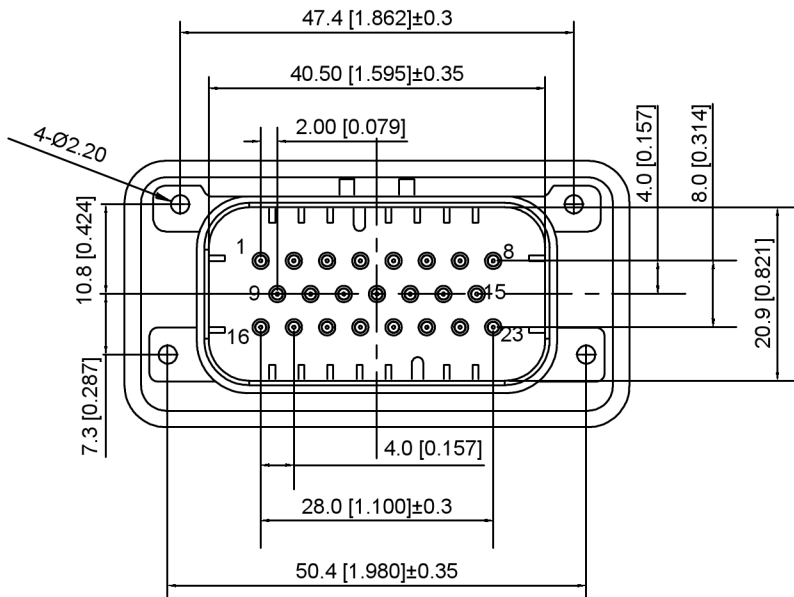
PCB LAYOUT



Current rating:7A AC/DC  
 额定电流: 7A AC/DC  
 Temperature range:-40℃~+85℃  
 温度范围: -40℃~+85℃

K 776280 W V - XX - PT XX X  
 ① ② ③ ④ ⑤ ⑥ ⑦ ⑧

- 1.K: XKBTEK-Car Connector
- 2.XKB Series No
- 3.Category:W-Wafer
- 4.Welding Board Range:V-Stright 180°
- 5.Row No.Pin No:XX-23 Pin
- 6.Material:PT-PBT
- 7.Palting:V01-Gold Flash ;SN-Plated Tin
- 8.Color:X:B-Black ; W-White ;  
GY-Gray ; BL-Blue



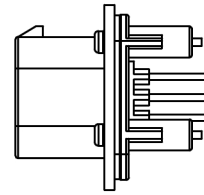
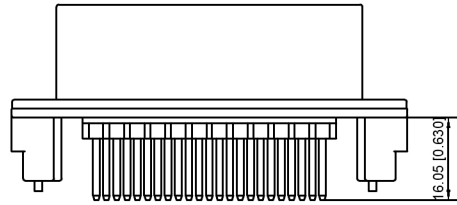
K776280WW-XX-PTXXX	PBT	Brass	K776280H
PART NO	Material	Material(Pin)	Suitable XKB Housing

DSND	SCALE: N/A	MODEL TYPE:
DWN	VIEW:	4.0mm automotive connector
CHKD	UNIT: mm/in	PART NO.:
APPD	SIZE: A4	K776280WW-XX-PTXXX
		DWG NO.:
		X-K776280WW-XX-PTXXX
		WEIGHT
		SHEET
		REVISION
		1/1
		A0

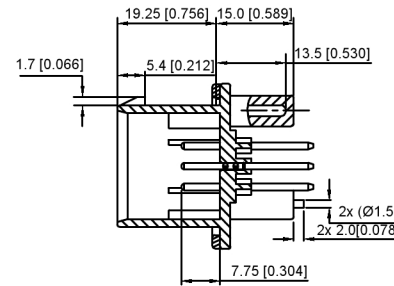
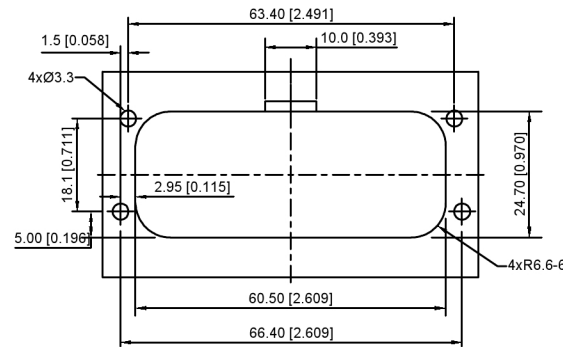


XKB INDUSTRIAL PRECISION CO.,LIMITED

ANGLAR	±5°
L ≤ 4	±0.2
4 < L ≤ 16	±0.3
16 < L ≤ 63	±0.4
L > 63	±0.5
UNSPECIFIED TOLERANCES	

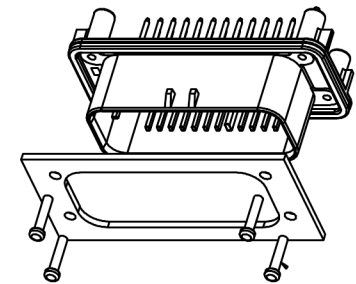
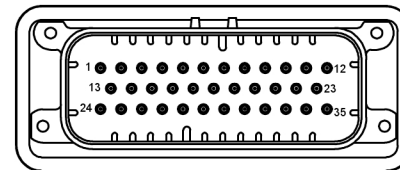
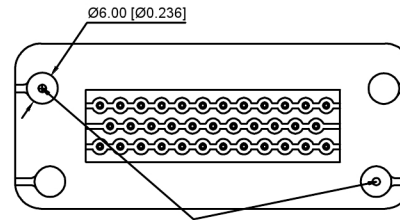
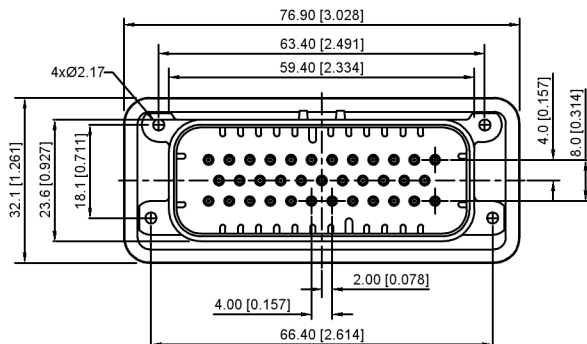


Current rating:7A AC/DC  
 额定电流: 7A AC/DC  
 Temperature range:-40°C-+85°C  
 温度范围: -40°C-+85°C



K 776280 W V - XX - PT XX X  
 ① ② ③ ④ ⑤ ⑥ ⑦ ⑧

- 1.K: XKBTEK-Car Connector
- 2.XKB Series No
- 3.Category:W-Wafer
- 4.Welding Board Range:V-Stright 180°
- 5.Row No.Pin No:XX-35 Pin
- 6.Material:PT-PBT
- 7.Palting:V01-Gold Flash ;SN-Plated Tin
- 8.Color:X:B-Black ; W-White ;  
GY-Gray ; BL-Blue



K776280W-XX-PTXXX	PBT	Brass	K776280H
PART NO	Material	Material(Pin)	Suitable XKB Housing

DSND		SCALE: N/A	MODEL TYPE: 4.0mm automotive connector
DWN		VIEW:	PART NO.: K776280W-XX-PTXXX
CHKD		UNIT: mm/in	DWG NO.: X-K776280W-XX-PTXXX
APPD		SIZE: A4	
		WEIGHT	SHEET
			REVISION
			1/1
			A0



XKB INDUSTRIAL PRECISION CO.,LIMITED

ANGLAR	±5°
L ≤ 4	±0.2
4 < L ≤ 16	±0.3
16 < L ≤ 63	±0.4
L > 63	±0.5
UNSPECIFIED TOLERANCES	