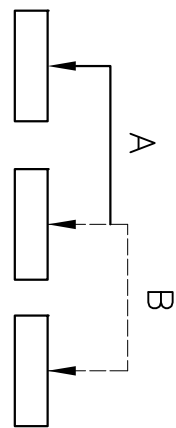
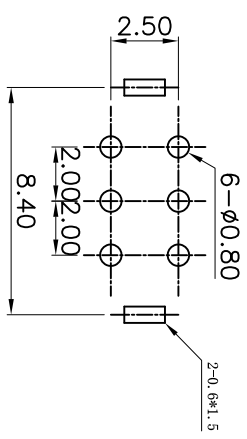
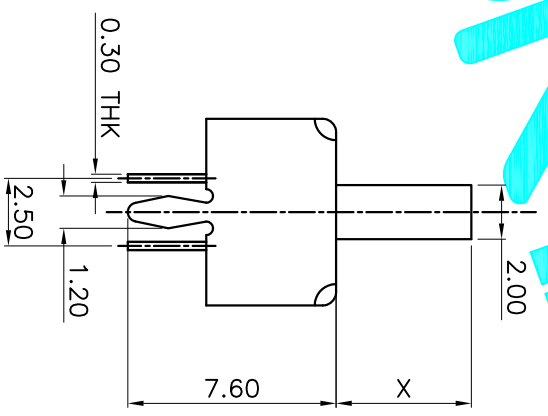
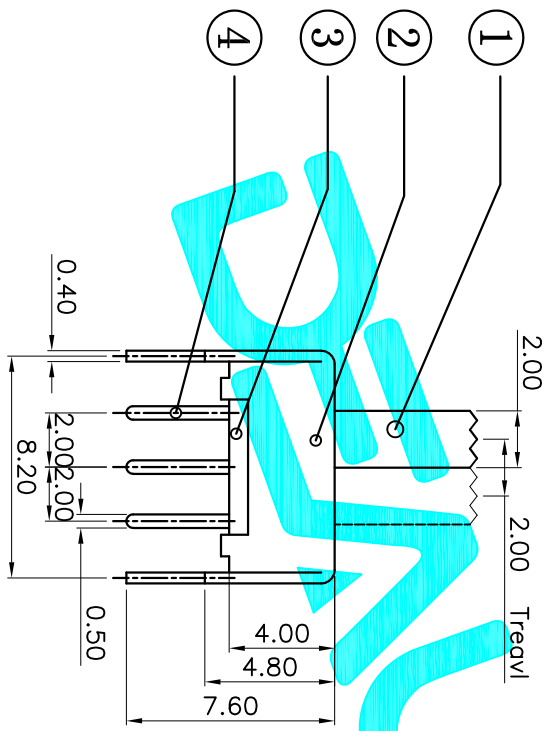


X	
PART NO	vigor
2	G2
3	G3
4	G4
5	G5
6	G6
7	G7
8	G8



Circuit Diagram



P.C.B layout

ITEM	PART NAME	QTY.	MATERIAL	FINISHING
⑤	Contact	2	Phosphor Bronze	Ag Plated
④	Terminal	6	Brass Strip	Ag Plated
③	Base	1	Phenolic Resin	Natural
②	Frame	1	Spcc	Ni Plated
①	Knob	1	POM	Black

APPROVALS		DATE	DRAWING NO.	
DRAWN	G.M.Chen	2015/07/07	SS-22D03-GOXX	
CHECKED			SHEET 1 OF 1	
APPROVALS			PROJ.	
TOLERANCES ARE		ANGLE	SCALE: 1:1	
30 <sup>+0.15</sup>	±0.30	±2°	SHEET 1 OF 1	
10 <sup>+0.20</sup>	±0.20		PROJ.	
5 <sup>+0.15</sup>	±0.15			
ECN NO.	REV.	DATE.	DESCRIPTION.	
	A		NEW	