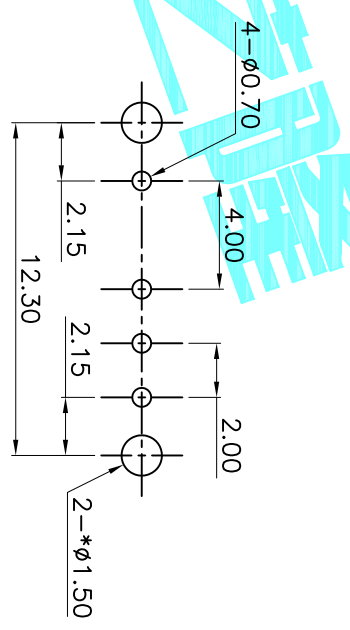


Circuit Diagram



PCB Layout(Pattern side)

ITEM	PART NAME	QTY.	MATERIAL	FINISHING
⑤	Contact	1	Phosphor Bronze	Ag Plated
④	Terminal	4	Brass Strip	Ag Plated
③	Base	1	Phenolic Resin	Natural
②	Frame	1	Spcc	Ni Plated
①	Knob	1	POM	Black

APPROVALS		DATE
DRAWN	G.M.Chen	2015/6/26
CHECKED		
APPROVALS		

ECN NO.	REV.	DATE.	DESCRIPTION.	CHANGE.	CHECK.	APPRO.	TOLERANCES ARE	ANGLE	UNIT:	SCALE:	SHEET	PROJ.
	A		NEW				30 ^{±0.15} 10 ^{±0.20} 9 ^{±0.10} 5	±2°	mm	1:1	1 OF 1	

DEALON 德之隆
ELECTRONICS CO.,LTD

TITLE: SLIDE SWITCHES
PART NO. SS-13D07-G