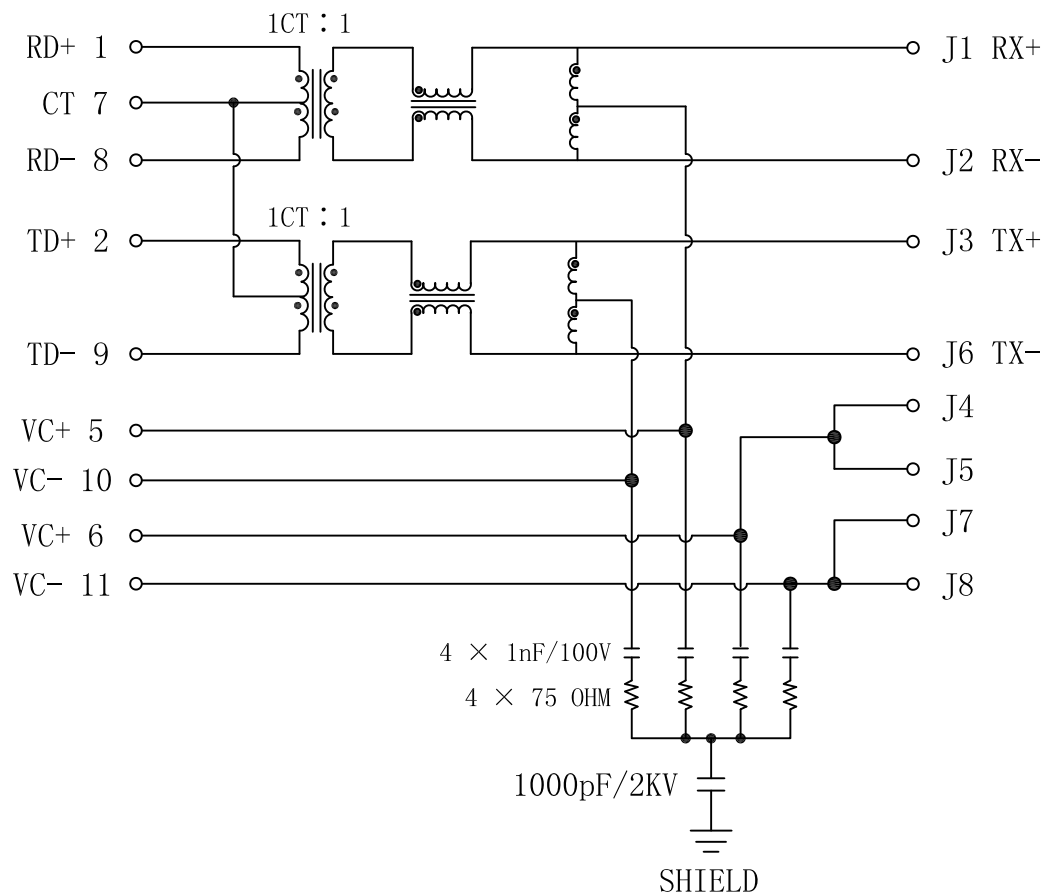


# Schematic:

REV.	ECN NO.	DESCRIPTION	DATE	APPD
A	REL		23/01/2010	

PCB CONNECTIONS



RJ45 CONNECTOR

## Electrical Specifications @25°C

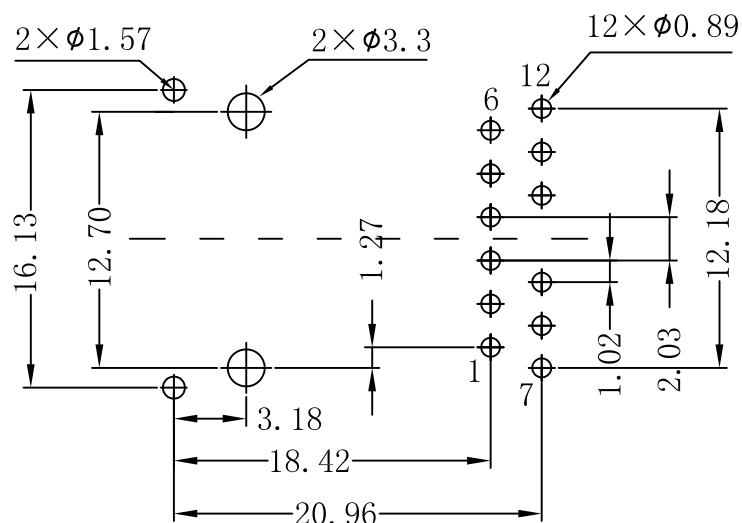
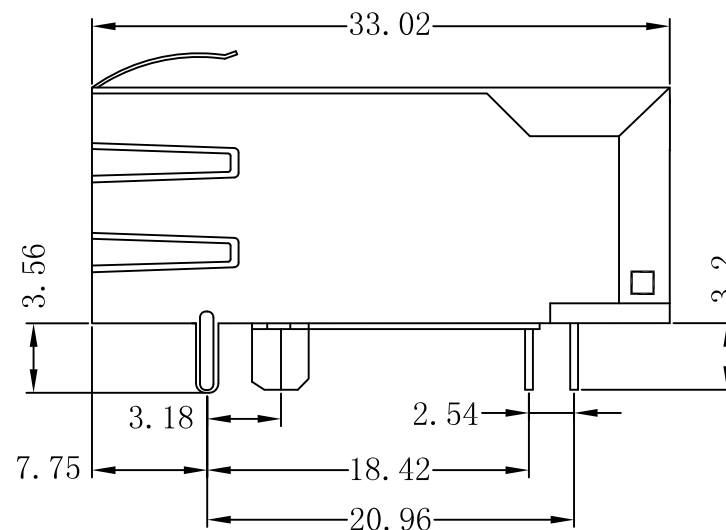
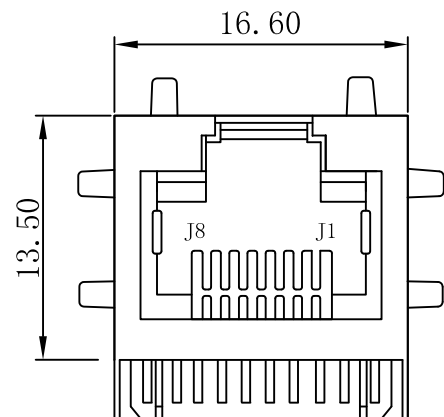
- Turns Ratio ( $\pm 2\%$ ):  
TX=1CT : 1    RX=1CT : 1
- OCL: 350uH Min  
@100KHz 100mVrms 8mA DC Bias
- Insertion Loss:  
0.1-100MHz: -1.5dB Max
- Return Loss:  
2-30MHz: -16 Min  
60-80MHz: -10 Min
- Crosstalk:  
0.1-100MHz: -30dB Min
- Balanced DC Line Current:  
350mA Max @ 57 VDC Continuous  
500mA Max @ 57 VDC For 200 Millseconds
- Hipot: 1500Vrms
- Operating Temperature: 0°C ~ 70°C.



X:X	$\pm 0.20$	APPD:	LINK-PP INT'L TECHNOLOGY CO., LIMITED
X:XX	$\pm 0.10$	CHKD:	
X:XXX	$\pm 0.05$	DR: TOM	TITLE: RJ45 Connector with 10/100 Base-TX Integrated Magnetic For PoE Application
ANGLES	$\pm 1^\circ$	UNIT: mm	PART NO.: LPJK0013CNL
	SCALE: 2/1	SHEET: 1/2	REV: A    DWG NO.: LP0012322

# Mechanical :

REV.	ECN NO.	DESCRIPTION	DATE	APPD
A	REL		23/01/2010	



SUGGESTED PCB LAYOUT (TOP VIEW)



## NOTES:

1. Designed to support application, such as SOHO (ADSL modems), LAN-on-Motherboard (LOM), hub and Switches.
2. Meets IEEE 802.3 specification
3. Connector Materials:  
 Housing: Thermoplastic UL94V-0  
 Contact/Shield: Copper alloy  
 Shield plating: Nickel  
 Contact plating: Gold 6 micro-inches min. In contact area.
4. Wave solder tip temperature: 265°C Max  
 Wave solder tip temperature time: 5 Sec Max

X:X	±0.20	APPD:	LINK-PP INT'L TECHNOLOGY CO., LIMITED
X:XX	±0.10	CHKD:	
X:XXX	±0.05	DR: TOM	TITLE: RJ45 Connector with 10/100 Base-TX Integrated Magnetic For PoE Application
ANGLES	±1°	UNIT: mm	PART NO.: LPJK0013CNL
	SCALE: 2/1	SHEET: 2/2	REV: A DWG NO.: LP0012322