

## General Description

The SN74HC/HCT47 feature active-low outputs designed for driving common-anode LEDs or incandescent indicators directly. Display patterns for BCD input counts above 9 are unique symbols to authenticate input conditions.

## Features

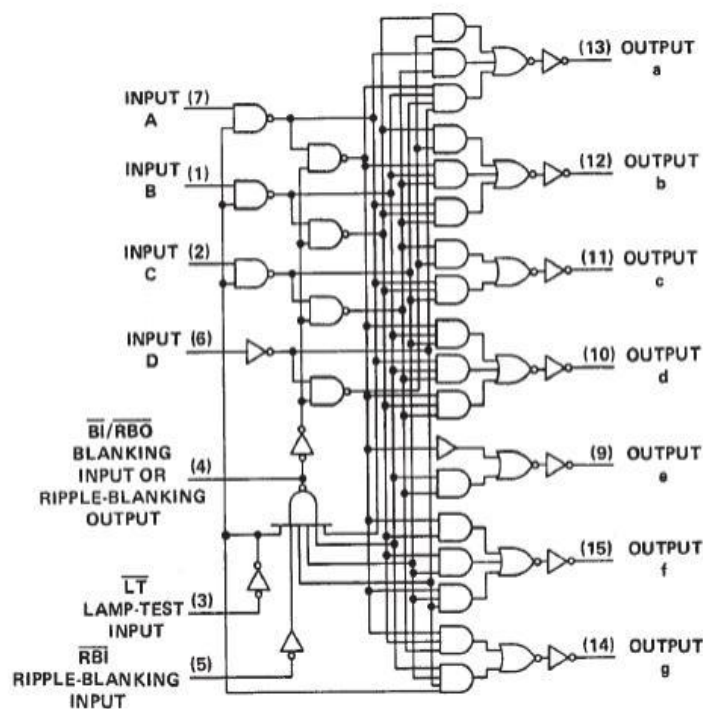
- Supply voltage range:  
SN74HC47: 2V to 6V  
SN74HCT47: 4.5V to 5.5V
- Input levels:  
SN74HC47: CMOS level  
SN74HCT47: TTL level
- Temperature range: -40°C to +125°C
- Packaging information: DIP16/SOP16/TSSOP16

## Ordering Information

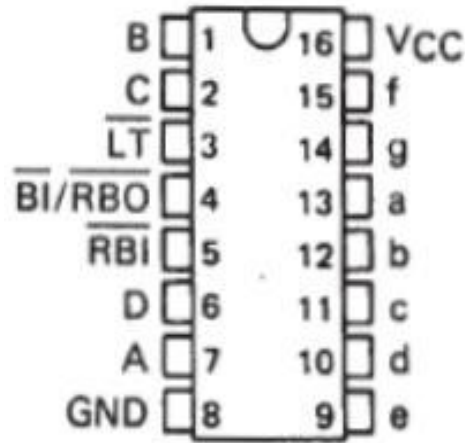
Product Model	Package Type	Marking	Packing	Packing Qty
XBLW SN74HC47N	DIP-16	74HC47N	Tube	1000Pcs/Box
XBLW SN74HC47DTR	SOP-16	74HC47	Tape	2500Pcs/Reel
XBLW SN74HC47TDTR	TSSOP-16	74HC47	Tape	3000Pcs/Reel
XBLW SN74HCT47N	DIP-16	74HCT47N	Tube	1000Pcs/Box
XBLW SN74HCT47DTR	SOP-16	74HCT47	Tape	2500Pcs/Reel
XBLW SN74HCT47TDTR	TSSOP-16	74HCT47	Tape	3000Pcs/Reel

## Block Diagram And Pin Description

### Block Diagram



### Pin Configurations



**Pin Description**

Pin No.	Pin Name	Description
1	B	data input
2	C	data input
3	$\overline{LT}$	lamp test
4	$\overline{BI/RBO}$	blanking input/ripple blanking output
5	$\overline{RBI}$	ripple blanking input
6	D	data input
7	A	data input
8	GND	ground (0V)
9	e	data output
10	d	data output
11	c	data output
12	b	data output
13	a	data output
14	g	data output
15	f	data output
16	V <sub>CC</sub>	supply voltage

**Function Table**

Decimal or function	Input						$\overline{\text{BI/RBO}}$	Output						
	$\overline{\text{LT}}$	$\overline{\text{RBI}}$	D	C	B	A		a	b	c	d	e	f	g
0	H	H	L	L	L	L	H	on	on	on	on	on	on	off
1	H	X	L	L	L	H	H	off	on	on	off	off	off	off
2	H	X	L	L	H	L	H	on	on	off	on	on	off	on
3	H	X	L	L	H	H	H	on	on	on	on	off	off	on
4	H	X	L	H	L	L	H	off	on	on	off	off	on	on
5	H	X	L	H	L	H	H	on	off	on	on	off	on	on
6	H	X	L	H	H	L	H	off	off	on	on	on	on	on
7	H	X	L	H	H	H	H	on	on	on	off	off	off	off
8	H	X	H	L	L	L	H	on	on	on	on	on	on	on
9	H	X	H	L	L	H	H	on	on	on	off	off	on	on
10	H	X	H	L	H	L	H	off	off	off	on	on	off	on
11	H	X	H	L	H	H	H	off	off	on	on	off	off	on
12	H	X	H	H	L	L	H	off	on	off	off	off	on	on
13	H	X	H	H	L	H	H	on	off	off	on	off	on	on
14	H	X	H	H	H	L	H	off	off	off	on	on	on	on
15	H	X	H	H	H	H	H	off	off	off	off	off	off	off
$\overline{\text{BI}}$	X	X	X	X	X	X	L	off	off	off	off	off	off	off
$\overline{\text{RBI}}$	H	L	L	L	L	L	L	off	off	off	off	off	off	off
$\overline{\text{LT}}$	L	X	X	X	X	X	H	on	on	on	on	on	on	on

**Note:**

[1] H=HIGH voltage level; L=LOW voltage level; X=don't care.

[2] The blanking input ( $\overline{\text{BI}}$ ) must be open or held at a high logic level when output functions 0 through 15 are desired. The ripple-blanking input ( $\overline{\text{RBI}}$ ) must be open or high if blanking of a decimal zero is not desired.

[3] When a low logic level is applied directly to the blanking input ( $\overline{\text{BI}}$ ), all segment outputs are off regardless of the level of any other input.

[4] When ripple-blanking input ( $\overline{\text{RBI}}$ ) and inputs A, B, C, D are at a low level with the lamp test input high, all segment outputs go off and the ripple-blanking output ( $\overline{\text{RBO}}$ ) goes to a low level (response condition).

[5] When the blanking input/ripple blanking output ( $\overline{\text{BI/RBO}}$ ) is open or held high and a low is applied to the lamp test input, all segment outputs are on.

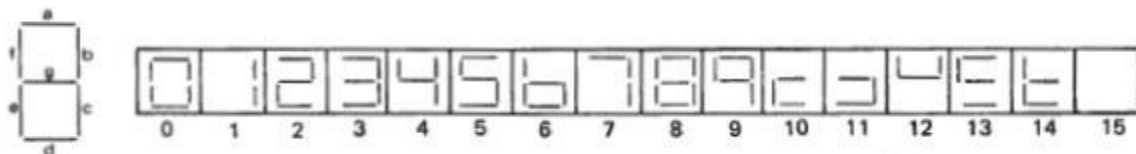


Figure 3. Segment identification



## Electrical Parameter

### Absolute Maximum Ratings

(Voltages are referenced to GND (ground=0V), unless otherwise specified.)

Parameter	Symbol	Conditions	Min.	Max.	Unit
supply voltage	$V_{CC}$	-	-0.5	+7	V
supply current	$I_{CC}$	-	-	50	mA
ground current	$I_{GND}$	-	-50	-	mA
input clamping current	$I_{IK}$	$V_I < -0.5V$ or $V_I > V_{CC}+0.5V$	-	$\pm 20$	mA
output clamping current	$I_{OK}$	$V_O < -0.5V$ or $V_O > V_{CC}+0.5V$	-	$\pm 20$	mA
output current	$I_O$	$-0.5V < V_O < V_{CC}+0.5V$	-	$\pm 25$	mA
storage temperature	$T_{stg}$	-	-65	+150	$^{\circ}C$
soldering temperature	$T_L$	10s	DIP	245	$^{\circ}C$
			SOP/TSSOP	260	

### Recommended Operating Conditions

Parameter	Symbol	Conditions	Min.	Typ.	Max.	Unit
<b>SN74HC47</b>						
supply voltage	$V_{CC}$	-	2.0	5.0	6.0	V
input voltage	$V_I$	-	0	-	$V_{CC}$	V
output voltage	$V_O$	-	0	-	$V_{CC}$	V
ambient temperature	$T_{amb}$	-	-40	-	+125	$^{\circ}C$
<b>SN74HCT47</b>						
supply voltage	$V_{CC}$	-	4.5	5.0	5.5	V
input voltage	$V_I$	-	0	-	$V_{CC}$	V
output voltage	$V_O$	-	0	-	$V_{CC}$	V
ambient temperature	$T_{amb}$	-	-40	-	+125	$^{\circ}C$

## Electrical Characteristics

### DC Characteristics 1

( $T_{amb} = -40^{\circ}\text{C}$  to  $+85^{\circ}\text{C}$ , voltages are referenced to GND (ground=0V), unless otherwise specified.)

Parameter	Symbol	V <sub>CC</sub>	Conditions	Min.	Typ.	Max.	Unit
<b>SN74HC47</b>							
HIGH-level input voltage	V <sub>IH</sub>	2.0V	-	1.5	1.2	-	V
		4.5V	-	3.15	2.4	-	V
		6.0V	-	4.2	3.2	-	V
LOW-level input voltage	V <sub>IL</sub>	2.0V	-	-	0.8	0.5	V
		4.5V	-	-	2.1	1.35	V
		6.0V	-	-	2.8	1.8	V
LOW-level output voltage	V <sub>OL</sub>	2.0V	I <sub>O</sub> =20uA	-	0	0.1	V
		4.5V	I <sub>O</sub> =20uA	-	0	0.1	V
		6.0V	I <sub>O</sub> =20uA	-	0	0.1	V
		4.5V	I <sub>O</sub> =4.0mA	-	0.15	0.33	V
		6.0V	I <sub>O</sub> =5.2mA	-	0.16	0.33	V
HIGH-level input current	I <sub>IH</sub>	6.0V	V <sub>I</sub> =V <sub>CC</sub>	-	-	20	uA
LOW-level input current	I <sub>IL</sub> (A/B/C/D)	6.0V	V <sub>I</sub> = GND	-	-	-20	uA
	I <sub>IL</sub> (B̄/ R̄BO/ R̄BI/LT)	6.0V	V <sub>I</sub> = GND	-	-	-1.2	mA
supply current	I <sub>CC</sub>	6.0V	V <sub>I</sub> =V <sub>CC</sub> or GND; I <sub>O</sub> =0A	-	-	13	mA
<b>SN74HCT47</b>							
HIGH-level input voltage	V <sub>IH</sub>	4.5V to 5.5V	-	2.0	1.6	-	V
LOW-level input voltage	V <sub>IL</sub>	4.5V to 5.5V	-	-	1.2	0.8	V
LOW-level output voltage	V <sub>OL</sub>	4.5V	I <sub>O</sub> =20uA	-	0	0.1	V
			I <sub>O</sub> =4.0mA	-	0.16	0.26	V
HIGH-level input current	I <sub>IH</sub>	6.0V	V <sub>I</sub> =V <sub>CC</sub>	-	-	20	uA
LOW-level input current	I <sub>IL</sub> (A/B/C/D)	6.0V	V <sub>I</sub> = GND	-	-	-20	uA
	I <sub>IL</sub> (B̄/ R̄BO/ R̄BI/LT)	6.0V	V <sub>I</sub> = GND	-	-	-1.2	mA
supply current	I <sub>CC</sub>	6.0V	V <sub>I</sub> =V <sub>CC</sub> or GND; I <sub>O</sub> =0A	-	-	13	mA
additional supply current	ΔI <sub>CC</sub>	4.5V to 5.5V	One input at V <sub>I</sub> =V <sub>CC</sub> -2.1V; Other inputs at V <sub>CC</sub> or GND; I <sub>O</sub> =0A	-	-	500	uA


**DC Characteristics 2**

 (T<sub>amb</sub>=-40°C to +125°C, voltages are referenced to GND (ground=0V), unless otherwise specified.)

Parameter	Symbol	V <sub>CC</sub>	Conditions	Min.	Typ.	Max.	Unit
<b>SN74HC47</b>							
HIGH-level input voltage	V <sub>IH</sub>	2.0V	-	1.5	-	-	V
		4.5V	-	3.15	-	-	V
		6.0V	-	4.2	-	-	V
LOW-level input voltage	V <sub>IL</sub>	2.0V	-	-	-	0.5	V
		4.5V	-	-	-	1.35	V
		6.0V	-	-	-	1.8	V
LOW-level output voltage	V <sub>OL</sub>	2.0V	I <sub>O</sub> =20uA	-	-	0.1	V
		4.5V	I <sub>O</sub> =20uA	-	-	0.1	V
		6.0V	I <sub>O</sub> =20uA	-	-	0.1	V
		4.5V	I <sub>O</sub> =4.0mA	-	-	0.4	V
		6.0V	I <sub>O</sub> =5.2mA	-	-	0.4	V
HIGH-level input current	I <sub>IH</sub>	6.0V	V <sub>I</sub> =V <sub>CC</sub>	-	-	20	uA
LOW-level input current	I <sub>IL</sub> (A/B/C/D)	6.0V	V <sub>I</sub> = GND	-	-	-20	uA
	I <sub>IL</sub> (B <sub>1</sub> /R <sub>BO</sub> /R <sub>BI</sub> /LT)	6.0V	V <sub>I</sub> = GND	-	-	-1.2	mA
supply current	I <sub>CC</sub>	6.0V	V <sub>I</sub> =V <sub>CC</sub> or GND; I <sub>O</sub> =0A	-	-	13	mA
<b>SN74HCT47</b>							
HIGH-level input voltage	V <sub>IH</sub>	4.5V to 5.5V	-	2.0	-	-	V
LOW-level input voltage	V <sub>IL</sub>	4.5V to 5.5V	-	-	-	0.8	V
LOW-level output voltage	V <sub>OL</sub>	4.5V	I <sub>O</sub> =20uA	-	-	0.1	V
			I <sub>O</sub> =4.0mA	-	-	0.4	V
HIGH-level input current	I <sub>IH</sub>	6.0V	V <sub>I</sub> =V <sub>CC</sub>	-	-	20	uA
LOW-level input current	I <sub>IL</sub> (A/B/C/D)	6.0V	V <sub>I</sub> = GND	-	-	-20	uA
	I <sub>IL</sub> (B <sub>1</sub> /R <sub>BO</sub> /R <sub>BI</sub> /LT)	6.0V	V <sub>I</sub> = GND	-	-	-1.2	mA
supply current	I <sub>CC</sub>	6.0V	V <sub>I</sub> =V <sub>CC</sub> or GND; I <sub>O</sub> =0A	-	-	13	mA
additional supply current	ΔI <sub>CC</sub>	4.5V to 5.5V	One input at V <sub>I</sub> =V <sub>CC</sub> -2.1V; Other inputs at V <sub>CC</sub> or GND; I <sub>O</sub> =0A	-	-	500	uA



**AC Characteristics**

( $T_{amb}=25^{\circ}C$ , voltages are referenced to GND (ground=0V), unless otherwise specified.)

Parameter	Symbol	Conditions	Min.	Typ.	Max.	Unit	
<b>SN74HC47</b>							
Turn-on time	$t_{ON}$	$V_{CC}=5.0V$ ; $C_L=15pF$ ; $R_L=665\Omega$	from A input	-	-	100	ns
			from $\overline{RBI}$ input, outputs (a-f only)	-	-	100	ns
Turn-off time	$t_{OFF}$	$V_{CC}=5.0V$ ; $C_L=15pF$ ; $R_L=665\Omega$	from A input	-	-	100	ns
			from $\overline{RBI}$ input, outputs (a-f only)	-	-	100	ns
<b>SN74HCT47</b>							
Turn-on time	$t_{ON}$	$V_{CC}=5.0V$ ; $C_L=15pF$ ; $R_L=665\Omega$	from A input	-	-	100	ns
			from $\overline{RBI}$ input, outputs (a-f only)	-	-	100	ns
Turn-off time	$t_{OFF}$	$V_{CC}=5.0V$ ; $C_L=15pF$ ; $R_L=665\Omega$	from A input	-	-	100	ns
			from $\overline{RBI}$ input, outputs (a-f only)	-	-	100	ns

## Testing Circuit

### AC Testing Circuit

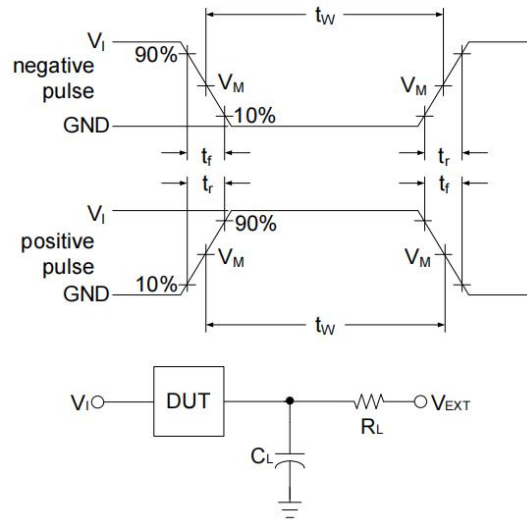


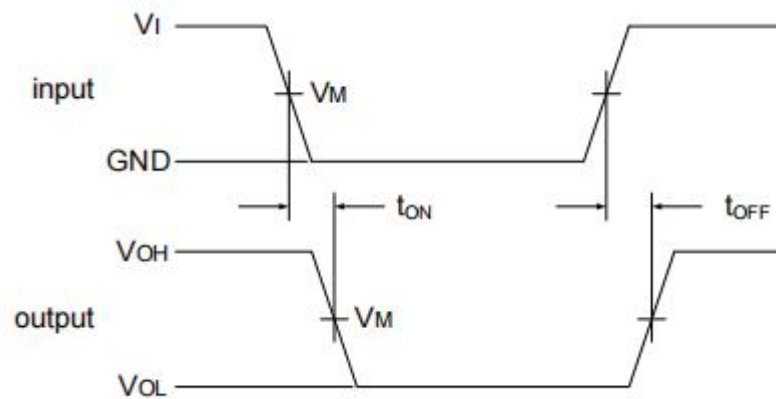
Figure 4. Test circuit for measuring switching times

$C_L$  includes probe and jig capacitance.

### Test Data

Type	Input		Load		$V_{EXT}$
	$V_I$	$t_r = t_f$	$C_L$	$R_L$	$t_{ON}/t_{OFF}$
SN74HC47	$V_{CC}$	3.0ns	15pF	665 $\Omega$	$V_{CC}$
SN74HCT47	3.0V	3.0ns	15pF	665 $\Omega$	$V_{CC}$

### AC Testing Waveforms



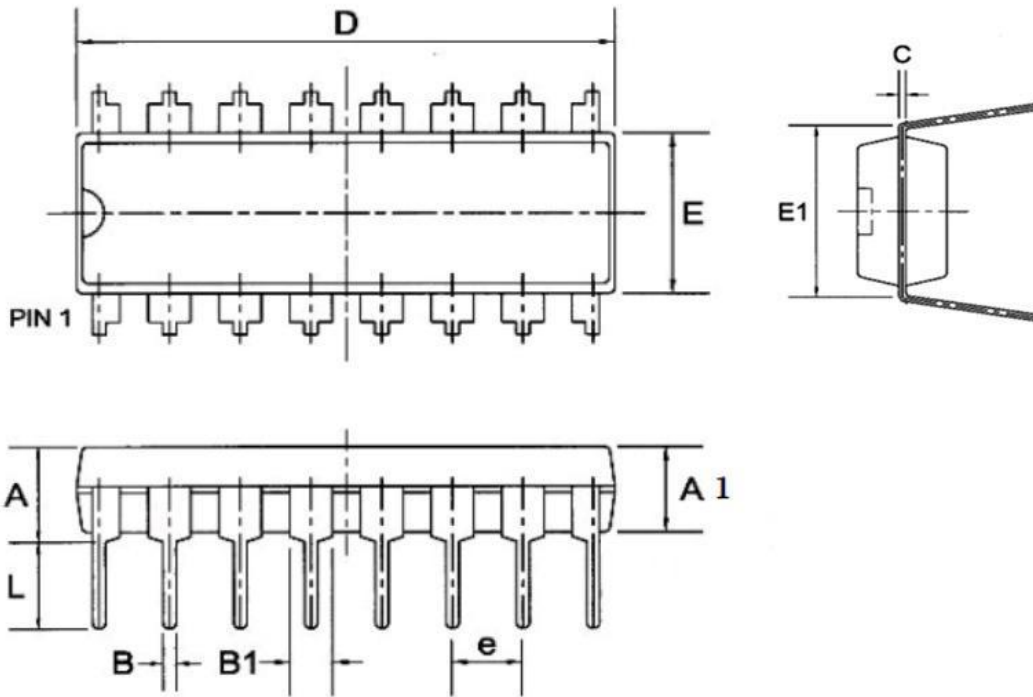
### Measurement Points

Type	Input	Output
	$V_M$	$V_M$
SN74HC47	$0.5 \times V_{CC}$	$0.5 \times V_{CC}$
SN74HCT47	1.3V	1.3V



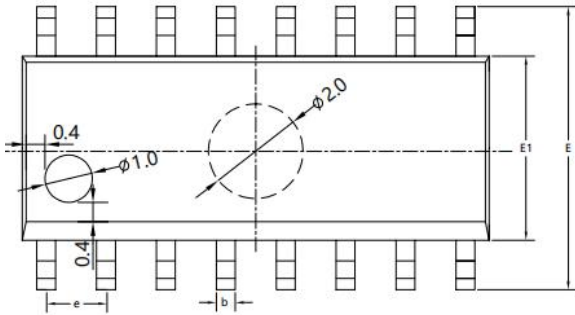
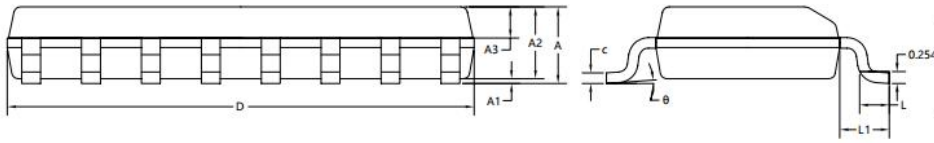
Package Information

DIP16



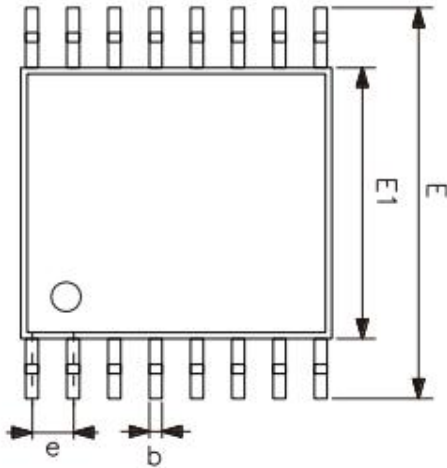
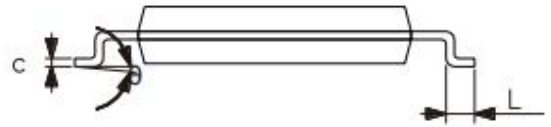
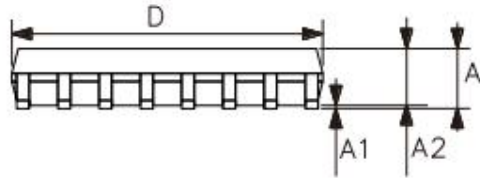
Symbol	Dimensions in Millimeters		
	Min	Nom	Max
A	--	--	4.31
A1	3.15	3.30	3.65
B	--	0.50	--
B1	--	1.6	--
C	--	0.27	--
D	19.00	19.20	19.60
E	6.20	6.50	6.60
E1	--	8.0	--
e	--	2.3	--
L	3.00	3.20	3.60

SOP16



SYMBOL	MILLIMETER		
	MIN	NOM	MAX
A	1.50	1.60	1.70
A1	0.10	0.15	0.25
A2	1.40	1.45	1.50
A3	0.60	0.65	0.70
b	0.30	0.40	0.50
c	0.15	0.20	0.25
D	9.80	9.90	10.00
E	5.80	6.00	6.20
E1	3.85	3.90	3.95
e	1.27BSC		
L	0.50	0.60	0.70
L1	1.05BSC		
theta	0°	4°	8°

TSSOP16



Symbol	Dimensions (mm)	
	Min.	Max.
A	-	1.20
A1	0.05	0.15
A2	0.80	1.05
b	0.19	0.30
c	0.09	0.20
D	4.90	5.10
E1	4.30	4.50
E	6.20	6.60
e	0.65	
L	0.45	0.75
$\theta$	0°	8°



Statement:

- ✧ Shenzhen xinbole electronics co., ltd. reserves the right to change the product specifications, without notice! Before placing an order, the customer needs to confirm whether the information obtained is the latest version, and verify the integrity of the relevant information.
- ✧ Any semiconductor product is liable to fail or malfunction under certain conditions, and the buyer shall be responsible for complying with safety standards in the system design and whole machine manufacturing using Shenzhen xinbole electronics co., ltd products, and take appropriate security measures to avoid the potential risk of failure may result in personal injury or property losses of the situation occurred!
- ✧ This document is for reference only, and the actual use should be based on the application test results.
- ✧ Product performance is never ending, Shenzhen xinbole electronics co., ltd will be dedicated to provide customers with better performance, better quality of integrated circuit products.