

To :

**CHIP CONDUCTIVE POLYMER HYBRID ALUMINUM ELECTROLYTIC CAPACITORS.**

UH-2360 (1/3)

- Series **HVK** Vertical Chip Conductive Polymer Hybrid Aluminum Electrolytic Capacitors.
- For surface mount 125 deg C, 4000 hours guaranteed.
- RoHS Compliant.      ● AEC-Q200 Compliant.
- **New P/N : RAHVK561M1TFH0002R**      (Current P/N : HVK-25V561MH10RQ-R2)
- Spec sheet XHQP-F60RQ

Item	Performance				
Category temperature range (deg C)	-55 to +125				
Rated Voltage (V)	25				
Rated Capacitance (uF)	560 (20deg C,120Hz)				
Tolerance at rated capacitance (%)	-20 to +20 (20deg C,120Hz)				
Leakage current (uA)	Less than 140uA (25V after 2 minutes) (20deg C)				
Tangent of loss angle (max.)	<table border="1"> <tr> <td>Rated voltage (V)</td> <td>25</td> </tr> <tr> <td>Tangent of loss angle</td> <td>0.14</td> </tr> </table> (20deg C,120Hz)	Rated voltage (V)	25	Tangent of loss angle	0.14
Rated voltage (V)	25				
Tangent of loss angle	0.14				
ESR (mohm max.)	<table border="1"> <tr> <td>Rated voltage (V)</td> <td>25</td> </tr> <tr> <td>ESR</td> <td>20</td> </tr> </table> (20deg C,100kHz)	Rated voltage (V)	25	ESR	20
Rated voltage (V)	25				
ESR	20				
Rated ripple current (mArms)	<table border="1"> <tr> <td>Rated voltage (V)</td> <td>25</td> </tr> <tr> <td>Rated Ripple Current</td> <td>2800</td> </tr> </table> (125deg C,100kHz)	Rated voltage (V)	25	Rated Ripple Current	2800
Rated voltage (V)	25				
Rated Ripple Current	2800				
Endurance(125deg C) (Applied ripple current)	Test time	4000 hours			
	Leakage current	The initial specified value or less			
	Capacitance change	Within -30% to +30% of initial value			
	Tangent of loss angle	200% or less of the initial specified value			
	ESR	200% or less of the initial specified value			
Shelf life(125deg C)	Test time	1000 hours			
	Leakage current	The initial specified value or less			
	Capacitance change	Within -30% to +30% of initial value			
	Tangent of loss angle	200% or less of the initial specified value			
	ESR	200% or less of the initial specified value			
Voltage application treatment					

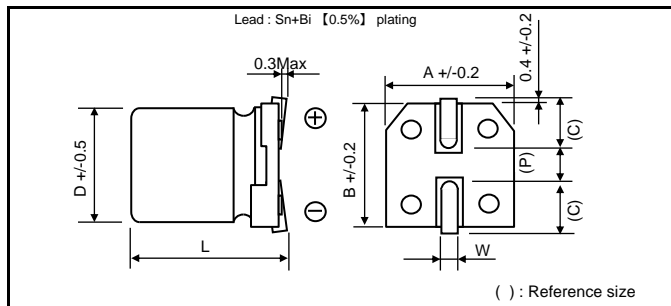
■ Part numbering system

<b>RA</b>	<b>HVK</b>	<b>561</b>	<b>M</b>	<b>1T</b>	<b>FH0</b>	<b>002</b>	<b>R</b>
Product classification code RA: For automotive AEC-Q200	Series code	Rated capacitance code	Capacitance tolerance code	Rated voltage code	Case size code	Taping and packing code	Additional code

■ Coefficient of Frequency for Rated Ripple Current

Rated capacitance(uF)	Frequency(Hz)	120	1k	10k	100k
560		0.10	0.30	0.60	1.00

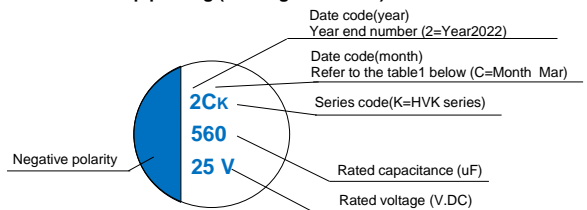
■ Outline drawing



D	L	A	B	C	W	P
10	10 +/-0.5	10.4	10.4	3.3	0.7 to 1.1	4.7

■ Marking

Case top printing (Printing in blue ink)



Month	Jan.	Feb.	Mar.	Apr.	May.	Jun.	Jul.	Aug.	Sep.	Oct.	Nov.	Dec.
Code	A	B	C	D	E	F	G	H	I	J	K	L

■ Weight : 1.4g

\*Weight of item isn't guaranteed.

(Note) It is recommended that you shall obtain technical specifications from ELNA CO., LTD to ensure that the component is suitable for your intended use.

**ELNA CO., LTD.**  
<http://www.ena.co.jp/>

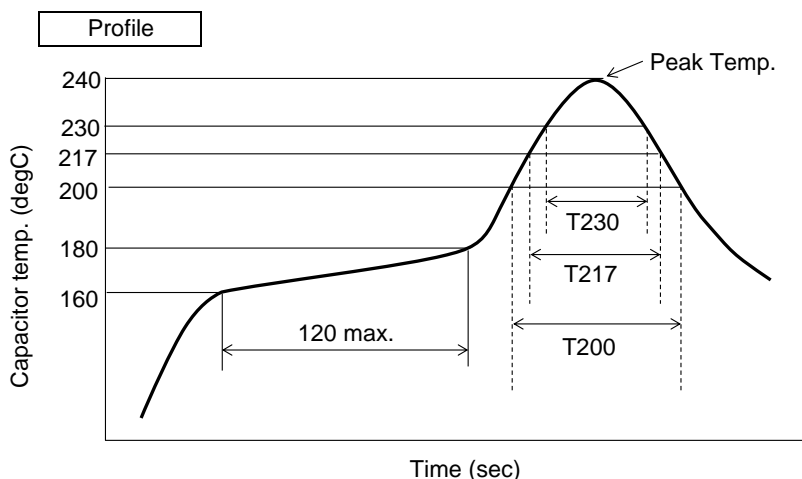
Kyobashi East Bldg., 2-7-19, Kyobashi, Chuo-ku, Tokyo 104-0031, Japan  
TEL:03-4221-4950 FAX:03-4221-4951

**CHIP CONDUCTIVE POLYMER HYBRID ALUMINUM ELECTROLYTIC CAPACITORS.**

**(1) Soldering iron conditions**

Iron tip temperature shall be 400degC +5/-5degC within the duration of 3 +1/-0 seconds.

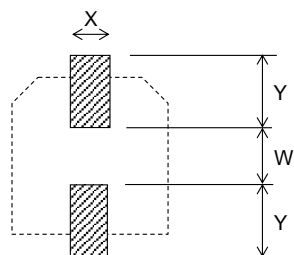
**(2) Reflow soldering conditions**



T200: Duration while capacitor head temperature exceeds 200 degC(sec)  
 T217: Duration while capacitor head temperature exceeds 217 degC(sec)  
 T230: Duration while capacitor head temperature exceeds 230 degC(sec)  
 The measurement temperature point is the case top.

Pre heat	Peak temp. (degC)	Peak temp.	T200 (sec)	T217 (sec)	T230 (sec)	reflow cycle
160 to 180 degC 120sec max	240 max	5sec or less	60 max	50 max	40 max	2 times or less

**■ Recommended land pattern size**



X	Y	W
2.5	4.0	4.0

Unit : mm

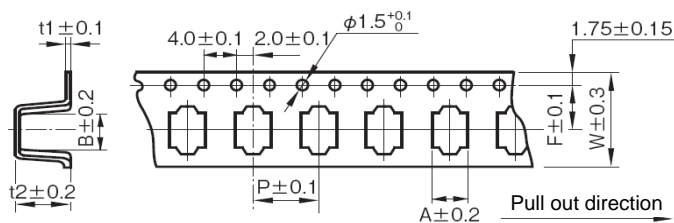
Recommended Solder Paste Thickness : 0.15mm

(Note) It is recommended that you shall obtain technical specifications from ELNA CO., LTD to ensure that the component is suitable for your intended use.

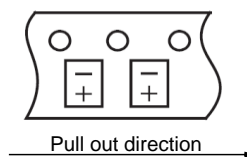
CHIP CONDUCTIVE POLYMER HYBRID ALUMINUM ELECTROLYTIC CAPACITORS.

■ Tape and Reel

(1)Carrier Tape



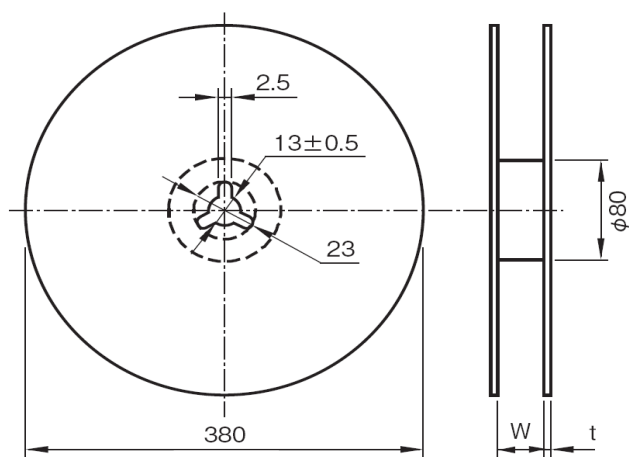
(2)Polarity



Unit : mm

W	A	B	P	t2	F	t1
24	10.7	10.7	16	11	11.5	0.4

(3)Reel



Unit : mm

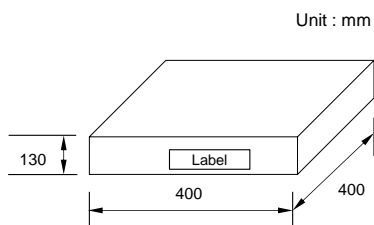
W	t
26	3

(4)Quantity

Case size	Quantity per reel
10x10	500 pcs

■ Packing specification

(1)Inner box



(2)Packing quantity

Case size	Quantity per inner box
10x10	2000 pcs

(3)Packing weight

Case size	Weight per inner box
10x10	5.4 kg

\*Weight of item isn't guaranteed.

(Note) It is recommended that you shall obtain technical specifications from ELNA CO., LTD to ensure that the component is suitable for your intended use.