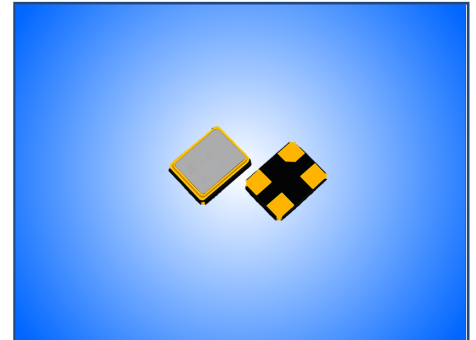


QUARTZ CRYSTAL UNIT IN SMD 1.2x1.0MM CERAMIC SEAM SEAL PACKAGE.
PRODUCT FEATURES

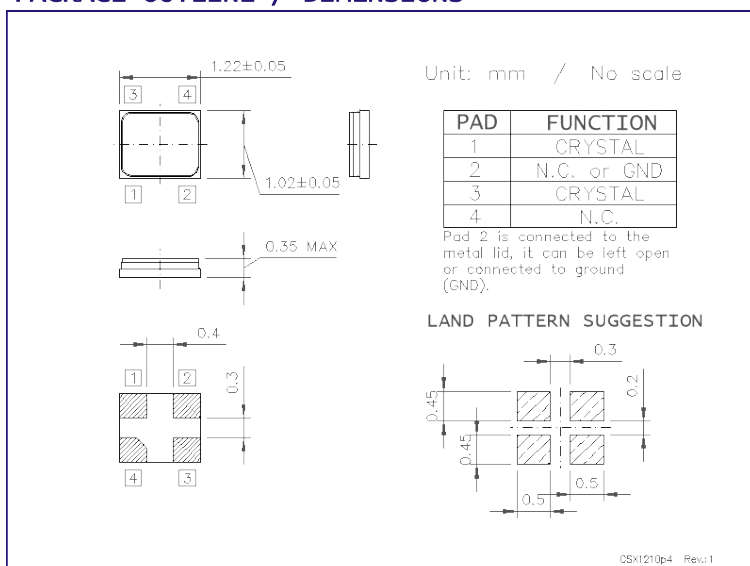
- Ultra-miniature unit dimensions 1.2x1.0x0.3 with 4 pads.
- Highly reliable vacuum seam sealed ceramic package.
- Tight tolerances and stabilities over temperature range.
- ROHS compliant, LEAD-FREE and HALOGEN-FREE.

PRODUCT PHOTO (NOT IN SCALE)

APPLICATIONS

- wireless LAN
- Bluetooth
- Mobil communication
- Handheld equipment

PRODUCT SPECIFICATIONS

PARAMETER	0110M4		CONDITIONS / REMARKS
Nominal frequency range	26.000 ~ 52.000MHz		--
Crystal cut and mode	AT-cut / Fundamental		--
Frequency tolerance	±10ppm / ±20ppm / ±30ppm		Other options available.
Frequency stability	±15ppm	±20ppm	Other options available.
Operating temperature range	-20 to +70°C	-30 to +85°C	Other options available.
Equivalent series resistance	<150Ω		26.000 to 31.999MHz
	<100Ω		32.000 to 39.999MHz
	<80Ω		40.000 to 52.000MHz
Load capacitance	4 ~20 pF or SERIES		Please specify.
Shunt capacitance	<3.0pF		--
Drive level	10μw TYP / 100μw MAX		--
Storage temperature range	-55 to +125°C		--

PACKAGE OUTLINE / DIMENSIONS

PACKAGING INFORMATION

- Tape & Reel compliant to EIA-481.
- Embossed carrier width 8mm.
- Component pitch in carrier 4mm.
- Reel diameter 180mm.
- QTY per reel: 3,000pcs MAX.

RECOMMENDED REFLOW PROFILE
