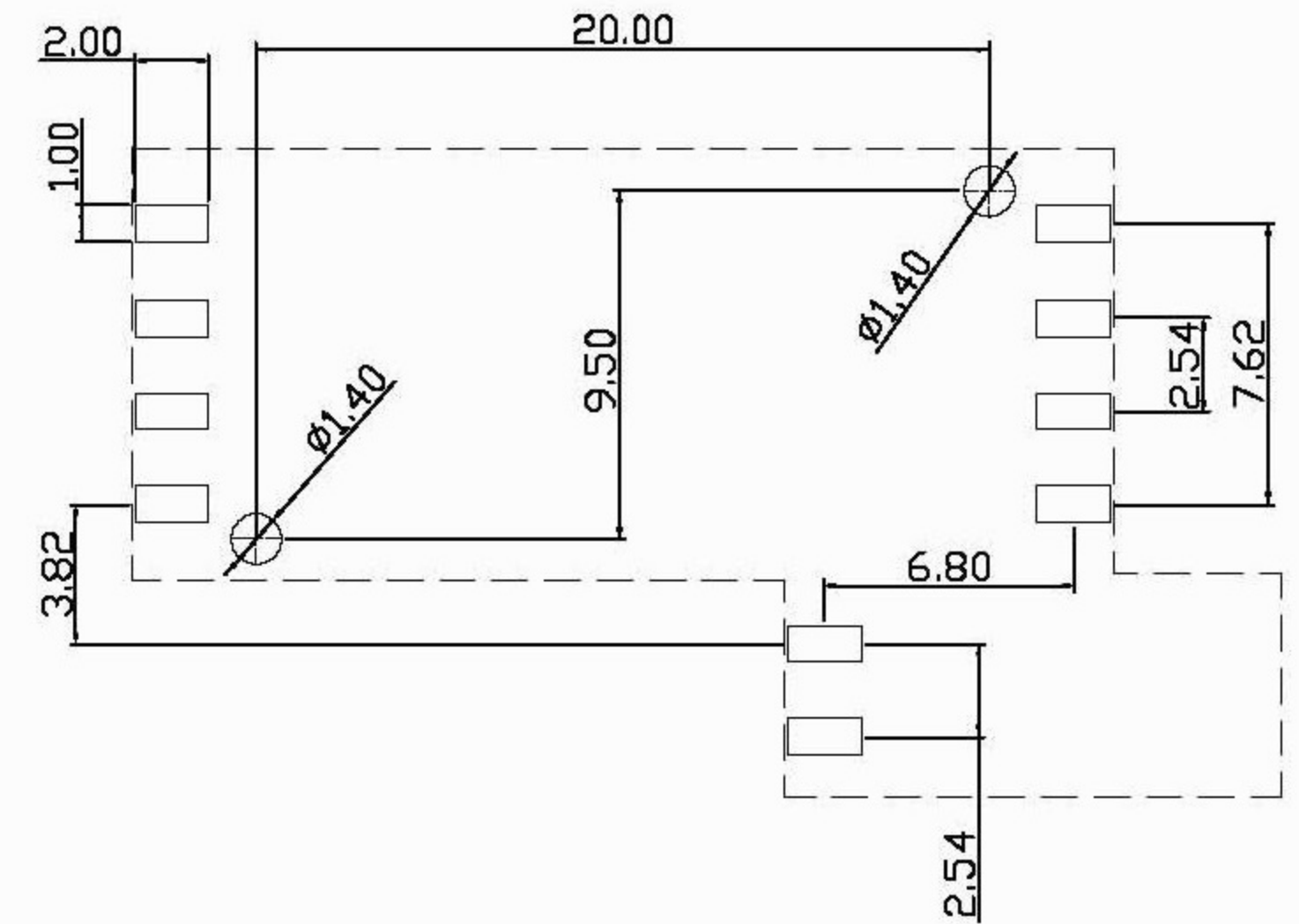
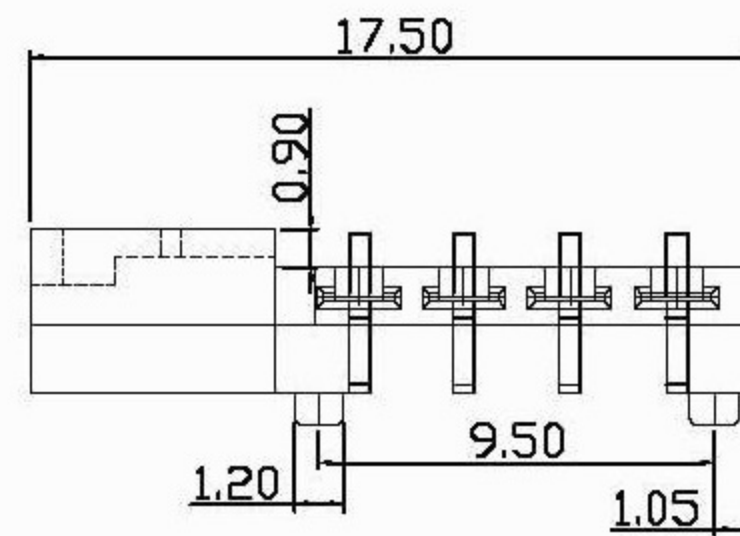
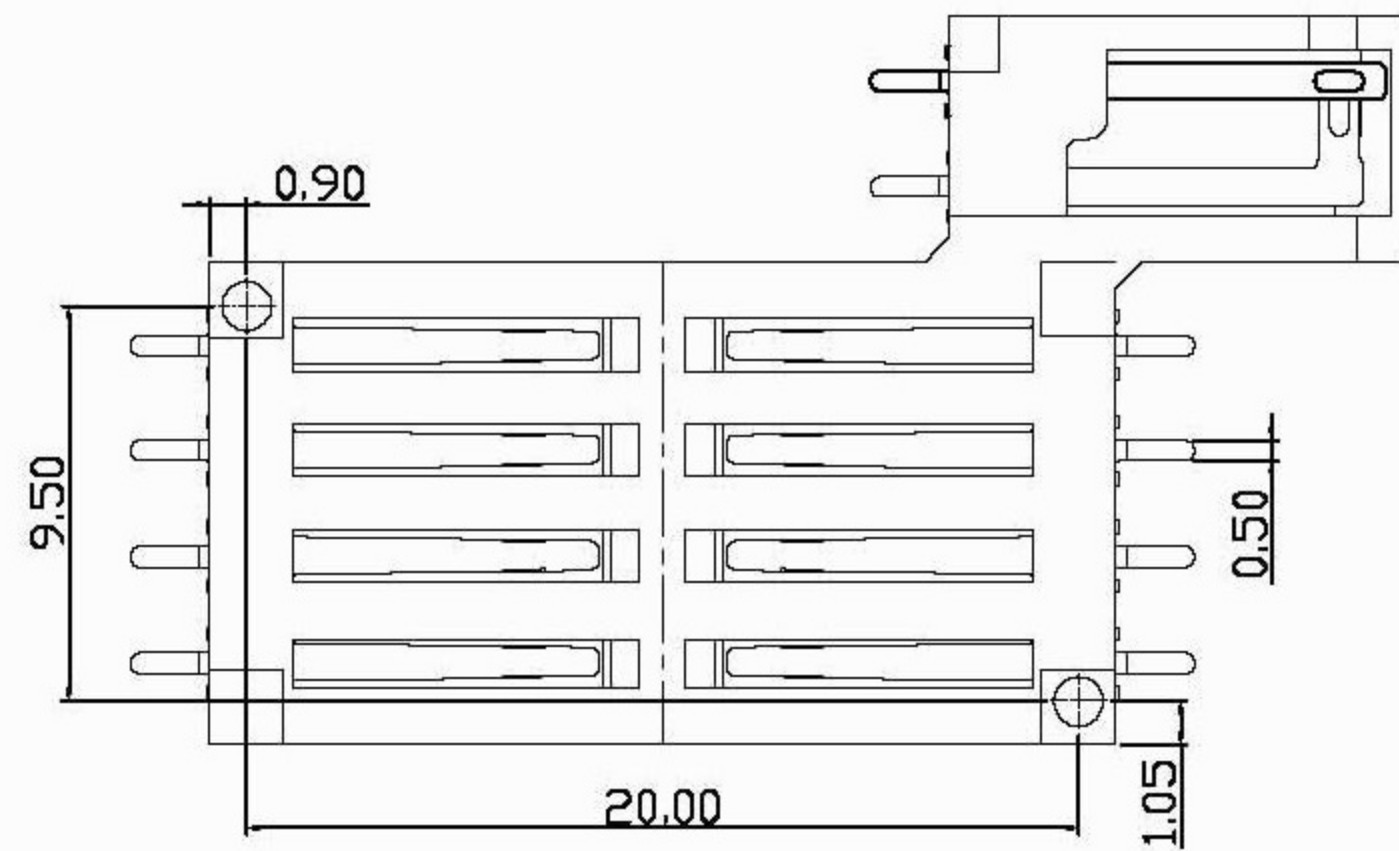
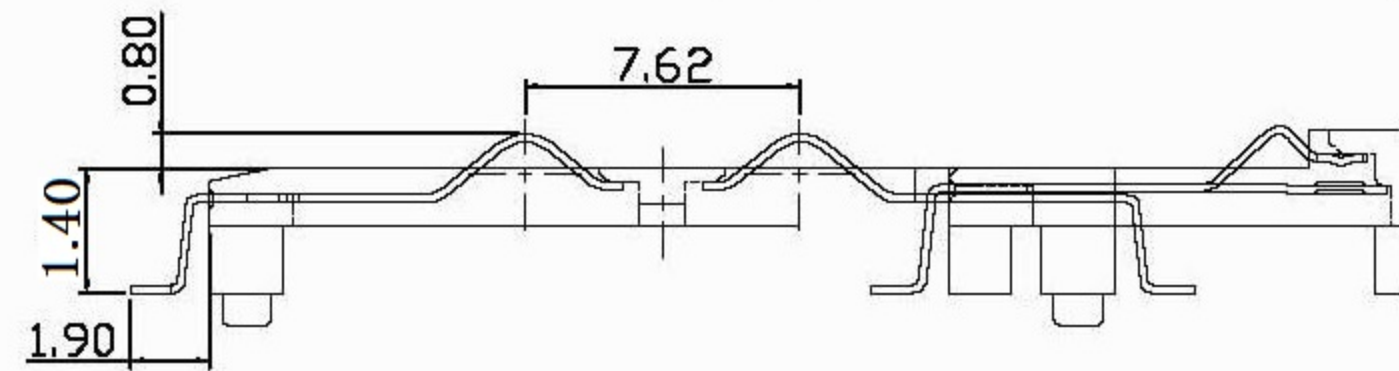
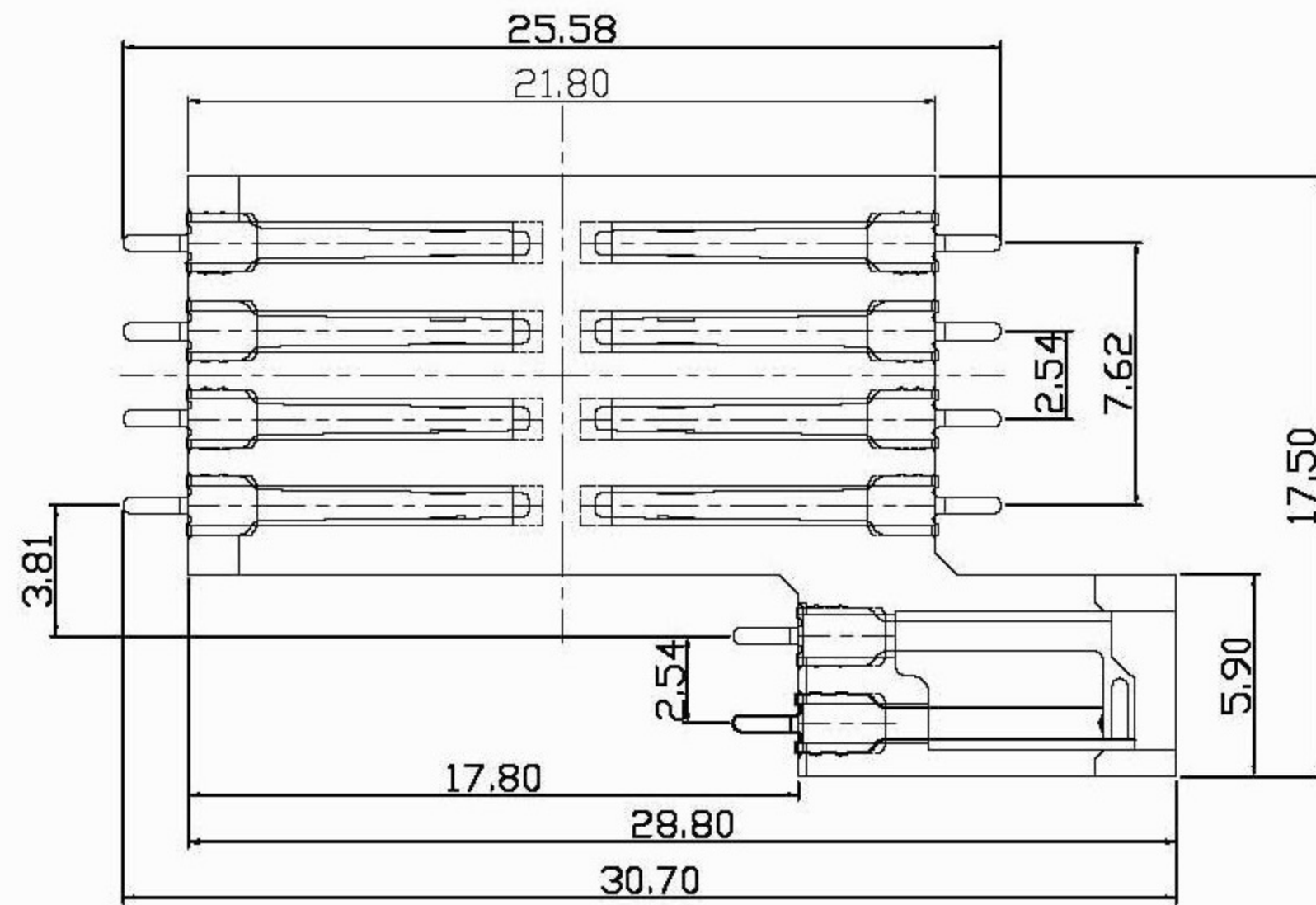


REV	DESCRIPTION	DATE
1		



Notes:

Material: Phosphor Bronze(C5191-H)

SIMM Card Connector,With

Physical:

Housing: LCP(NY 9T) UL 94V-0

Contact: Selective Gold Flash

Specifications:

Voltage Current rating: 1A. 50V AC

Insulation Resistance: 1000Mohm Min

Contact Withstanding Voltage:

AC 500V For 1 Minute

Temperteure Rating: -40° To +85°

TOLERANCE		MATERIAL	UNITS	SCALE	DATE	
.X	±0.25	X*	± 2'	mm	1 / 1	20110922
.XX	±0.15	X*X'	± 1'	APPROVAL	CHECKED	DRAWN
.XXX	±0.10				<i>zhangbin</i>	<i>zhangbin</i>

L&X 深圳市连欣科技有限公司

TEL:0755-36610035 FAX:0755-36610036

DRAWN NAME:

SINI SMART CARD 8PIN
(右开关) H1. 4MM

DWG NO.

JK0080628L9

PART NO.

XDSM-0842-0104