

**■ Features**

- General purpose inductors.
- Use ferrite cores.
- High saturation current.
- Tinplated leads.
- Coated with varnish.
- Operating temperature: -40°C ~ +105°C.

**■ Applications**

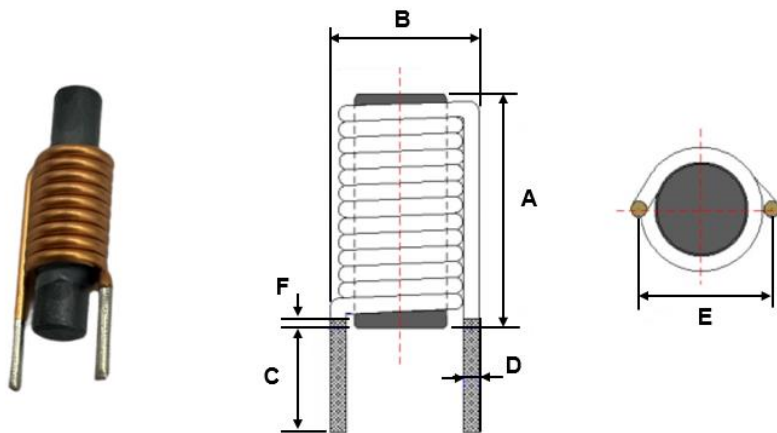
- Power supplies, Power amplifiers.
- SCR and triac circuits.
- Output chokes.
- Noise filters for switching regulators, Other filters.

**■ Product Identification**

**YDRI**    □□□□□ — □□□ □ □  
 (1)                      (2)                      (3)    (4) (5)

- (1) : Type
- (2) : Dimensions
- (3) : Inductance value
- (4) : Inductance Tolerance: N=±30%, M=±20%, K=±10%
- (5) : Product Form

**■ Shapes and Dimensions (Unit: mm)**



| TYPE      | A Max. | B Max. | C       | D       | E       | F Max. |
|-----------|--------|--------|---------|---------|---------|--------|
| YDRI0420D | 21.0   | 9.0    | 3.5±0.5 | 1.0±0.1 | 7.5±0.5 | 1.0    |

## ■ Electrical specification

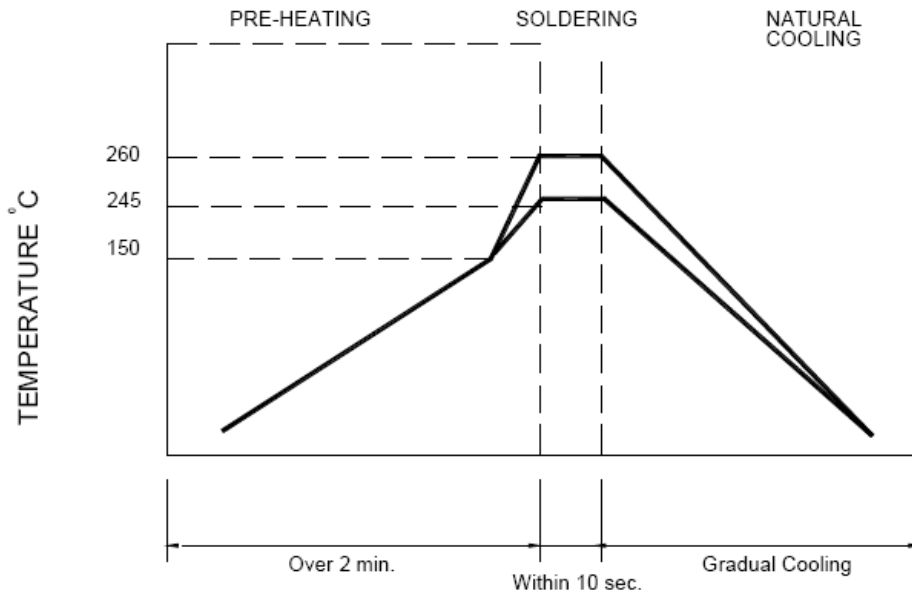
| Part Number     | Inductance (uH) | Test Frequency | Max.DCR (mΩ) | Isat (A) |
|-----------------|-----------------|----------------|--------------|----------|
| YDRI0420D-2R0ML | 2.0±20%         | 1KHz/0.25V     | 7.0          | 10       |

## ■ Test Data of Electrical Characteristic

| Electrical Characteristic |            |            |                          | Dimensions(mm) |             |         |         |         |             |
|---------------------------|------------|------------|--------------------------|----------------|-------------|---------|---------|---------|-------------|
| Test Item                 | L          | DCR        | Isat                     | A              | B           | C       | D       | E       | F           |
| CON.                      | 1KHz/0.25V | 25°C       | L Drop≤10%<br>1KHz/0.25V |                |             |         |         |         |             |
| Spec.                     | 2.0uH±20%  | 7.0 mΩMax. | 10A                      | 21.0<br>Max.   | 9.0<br>Max. | 3.5±0.5 | 1.0±0.1 | 7.5±1.0 | 1.0<br>Max. |
| 1                         | 1.96       | 3.84       | OK                       | 20.03          | 8.31        | 3.73    | 1.00    | 7.36    | 0.00        |
| 2                         | 1.98       | 3.81       | OK                       | 20.21          | 8.27        | 3.67    | 1.00    | 7.44    | 0.00        |
| 3                         | 1.99       | 3.85       | OK                       | 20.05          | 8.46        | 3.68    | 1.00    | 7.62    | 0.00        |
| 4                         | 1.95       | 3.84       | OK                       | 20.17          | 8.44        | 3.82    | 1.00    | 7.51    | 0.00        |
| 5                         | 1.93       | 3.83       | OK                       | 20.11          | 8.36        | 3.71    | 1.00    | 7.53    | 0.00        |
| 6                         |            |            |                          |                |             |         |         |         |             |
| 7                         |            |            |                          |                |             |         |         |         |             |
| 8                         |            |            |                          |                |             |         |         |         |             |
| 9                         |            |            |                          |                |             |         |         |         |             |
| 10                        |            |            |                          |                |             |         |         |         |             |
| X                         | 1.96       | 3.83       |                          | 20.11          | 8.37        | 3.72    | 1.00    | 7.49    | 0.00        |
| R                         | 0.06       | 0.04       |                          | 0.18           | 0.19        | 0.15    | 0.00    | 0.26    | 0.00        |

**■ Soldering Conditions**

Wave Soldering:



Note:

Never contact the ceramic with the iron tip

1.0mm tip diameter(max)

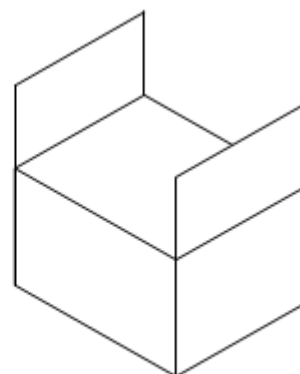
**■ Material list**

| NO | ITEM  | DESCRIPTION    | SUPPLIER | RATING | UL FILE |
|----|-------|----------------|----------|--------|---------|
| 1  | Core  | F3BP R 4×20    | YU TONG  |        |         |
|    |       | OR EQUIVALENT  |          |        |         |
| 2  | Wire  | 2UEW/F φ 1.0mm | JINYAN   | 155°C  | E238500 |
|    |       | OR EQUIVALENT  |          |        |         |
| 3  | Epoxy | E506 Gray      | EATTO    |        | E218090 |
|    |       | OR EQUIVALENT  |          |        |         |

**■ Package specification**



PE 袋



| Type      | Quantity(pcs) |            |           | Remark |
|-----------|---------------|------------|-----------|--------|
|           | Bag           | Inside box | Outer box |        |
| YDRI0420D | 250           | 2500       | 5000      |        |