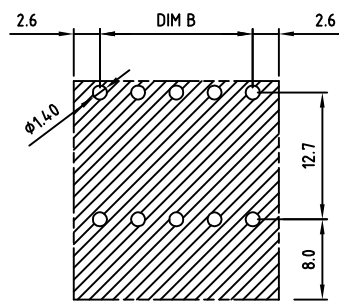
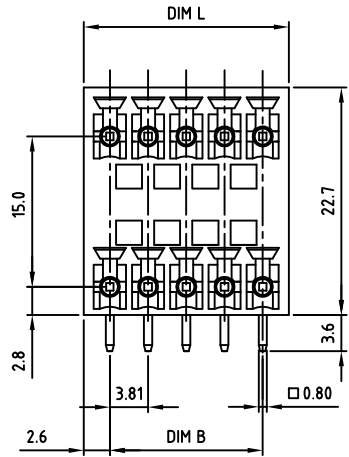
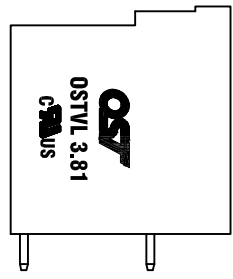
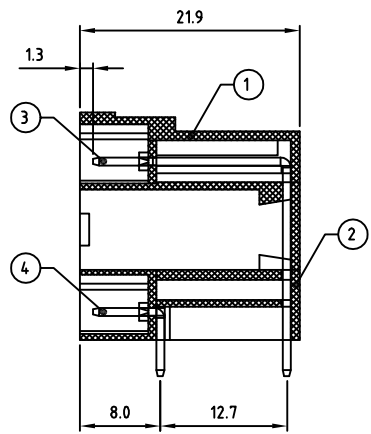


Transfer or duplication of this document as well as the utilisation or communication of its content are not permitted unless express consent is granted. Violations give rise to claims for damages. All rights reserved in case of patent, utility model or design patent registrations.



PCB LAYOUT



Technical data

- 1.Nominal voltage: 300V/8A  
PITCH:3.81mm
- 2.Insulation Withstanding Voltage:  
AC 1600V/MIN
- 3.Insulation Resistance:  
1000MΩ or more at DC500V
- 4.Operating temperature range:-40C°- 115C°
- 5.Soldering temperature range:250C°±10C°/5sec
- 6.Safety approval:
- 7.RoHS Compliance
- 8.Undimensioned Tolerances:

Dim.L=(1/2P-1)x3.81+5.2		
Dim.B=(1/2P-1)x3.81		
P= number of poles 4-48P		
0-30mm	Dim B	Dim L
over 30mm-60mm	±0.15	±0.20
over 60mm-90mm	±0.20	±0.25
over 90mm	±0.25	±0.30
	±0.30	±0.40

Part No.: OSTVLXX3151

No. of Poles	COLOR
02 2 Poles	0: Black
03 3 Poles	2: Red
...	3: Orange
24 24 Poles	4: Yellow
	5: Green (Standard)
	6: Blue
	8: Grey

Nonstandard colors  
Mins could apply

4	Short PIN	BRASS	TIN PLATED	1/2P
3	Long PIN	BRASS	TIN PLATED	1/2P
2	COVER	PA66 UL94V-0		1
1	BODY	PA66 UL94V-0		1
ITEM	NAME OF PART	MATERIAL	NOTES	Q'TY
DWG.	Marvin Zhang	DATE	2017.08.17	UNITS: MM SHEET: 1 OF 1 Tolerance
CHK.	Marvin Zhang	DATE	2017.08.17	SCALE: NONE 3:( : ) REV.: A
APP.		DATE		X. ±0.50 X.X ±0.30 X.XX ±0.10 X° ±1°
		TITLE:	OSTVL Series 3.81mm Close type Right-Angle (90D)	
		PART NO.	OSTVLXX3151	
		DWG NO.	OSTVLXX3151.dwg	

SIGN	DESCRIPTION	CHK.	DATE



ON-SHORE TECHNOLOGY, INC.