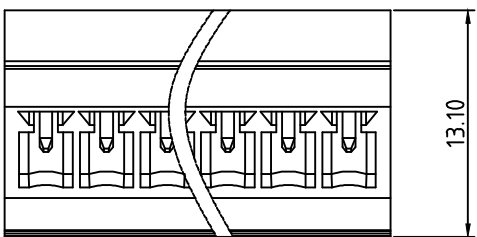
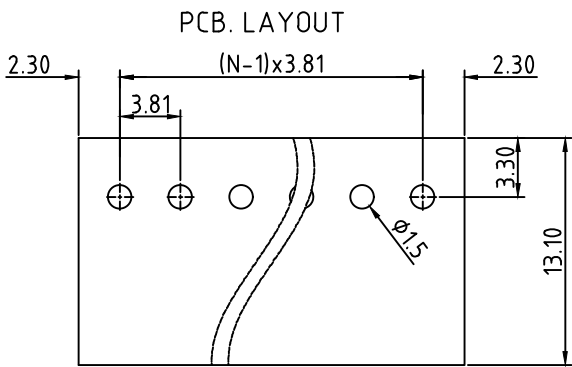
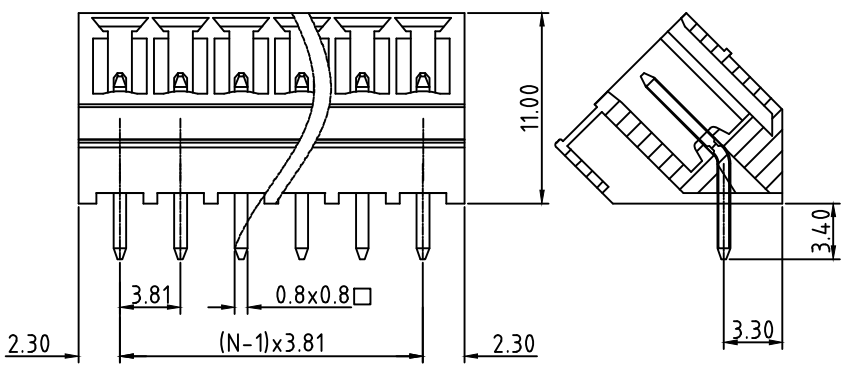


Transfer or duplication of this document as well as the utilisation or communication of its content are not permitted unless express consent is granted. Violations give rise to claims for damages. All rights reserved in case of patent, utility model or design patent registrations.



N=Number of contacts



Technical Data:  
 Electrical  
 Pitch: 3.81mm  
 Voltage rating: 300V  
 Current rating: 12 Amps  
 Withstanding Voltage: 2500VAC(1min)  
 Mechanical:  
 Operating temperature: -40°C to +105°C  
 Soldering temperature:  
 Temperature= 250°C±10°C /5 seconds max  
 Safety approval:   
 RoHS Compliance

Part No.:

**OSTVKXX3150**

- |   |  |
|---|--|
| No. of Poles<br>02 2 Poles<br>03 3 Poles<br>... ..<br>24 24 Poles | COLOR<br>0: Black<br>2: Red<br>3: Orange<br>4: Yellow<br>5: Green (Standard)<br>6: Blue<br>8: Grey |
|---|--|
- Nonstandard colors  
Mins could apply

2	Pin	Copper Alloy	Tin plated	1xN
1	Body	PA66-30%GF UL94V		1
ITEM	NAME OF PART	MATERIAL	NOTES	Q'TY
DWG.	DATE	UNITS: MM	SHEET: 1 OF 1	Tolerance
CHK.	DATE	SCALE: NONE 3:1 ( : )	REV.: A	X. ±0.50
APP.	DATE	TITLE: OSTVK SERIES 3.81MM		X.X ±0.30
		PART NO. OSTVKXX3150		X.XX ±0.10
		DWG NO. OSTVKXX3150.DWG		X° ±1°

REV	SIGN	DESCRIPTION	CHK.	DATE
		UPDATED DWG		12.15.2020



ON-SHORE TECHNOLOGY, INC.