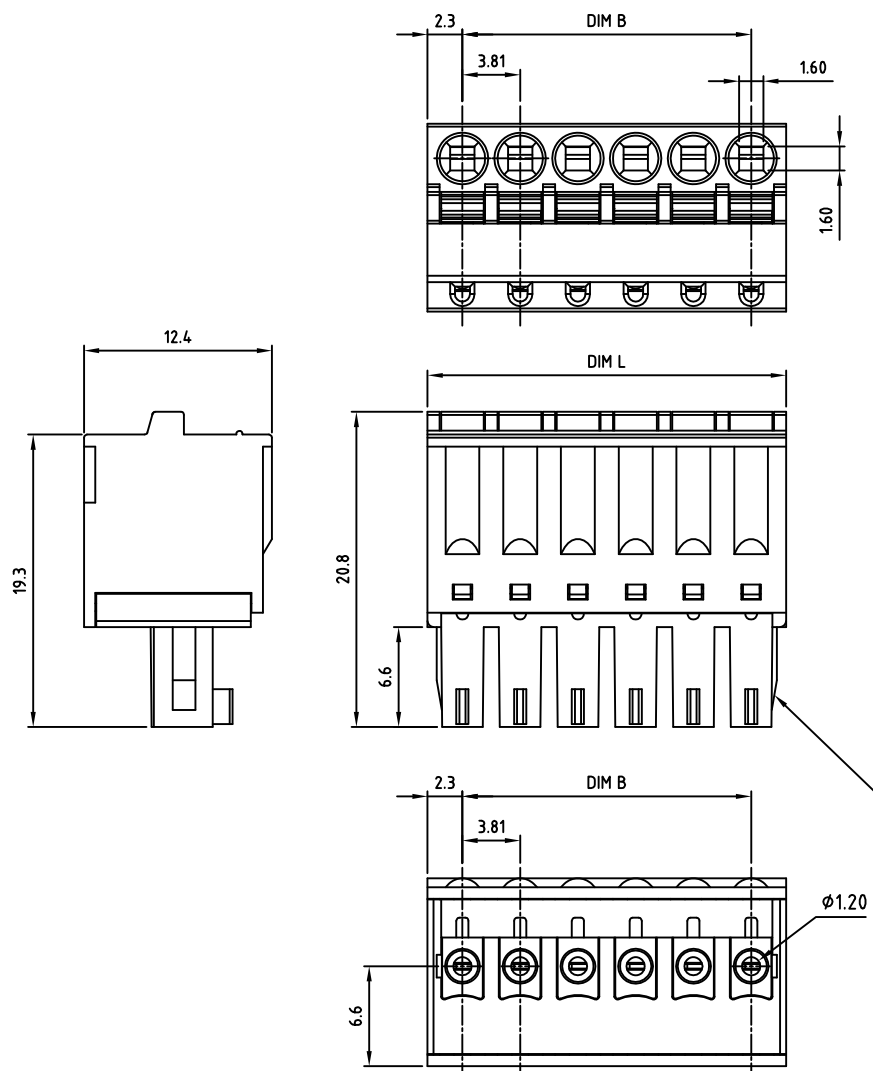


Transfer or duplication of this document as well as the utilisation or communication of its content are not permitted unless express consent is granted. Violations give rise to claims for damages. All rights reserved in case of patent, utility model or design patent registrations.



2p to 6p with wedge, above 7p
without wedge (including 7p)

- Technical data**
- Nominal voltage: 300V/8A
PITCH: 3.81mm
 - Connection capacity:
AWG 28-16
 - Insulation Withstanding Voltage:
AC 1600V/MIN
 - Insulation Resistance:
1000MΩ or more at DC500V
 - Stripping length: 9-10mm
 - Operating temperature range: -40°C ~ 115°C
 - Undimensioned Tolerances:

Dim.L=(P-1)x3.81+4.61		
Dim.B=(P-1)x3.81		
P= number of poles		
0-30mm	±0.15	±0.20
over 30mm-60mm	±0.20	±0.25
over 60mm-90mm	±0.25	±0.30
over 90mm	±0.30	±0.40

- Safety approval:
- RoHS Compliance

Part No.: **OSTHWXX3050**

No. of Poles	COLOR
02 2 Poles	0: Black
03 3 Poles	2: Red
...	3: Orange
24 24 Poles	4: Yellow
	5: Green (Standard)
	6: Blue
	8: Grey

Nonstandard colors
Mins could apply

5	SPRING	Stainless steel			P	
4	CONTACT	BRONZE (PhBz)		TIN PLATED	P	
3	LEVEL	PBT UL94V-0		ORANGE	P	
2	COVER	PA66 UL94V-0		ALL COLOR	1	
1	BODY	PA66 UL94V-0		ALL COLOR	1	
ITEM	NAME OF PART	MATERIAL	NOTES		Q'TY	
DWG.	WF. Zhang	DATE	2016.07.18	UNITS: MM	SHEET: 1 OF 1	Tolerance
CHK.	WF. Zhang	DATE	2016.09.14	SCALE: NONE 2.5:1 (:)	REV.: A	X. ±0.50
APP.		DATE		TITLE: OSTHW 3.81 Series Without flange		X.X ±0.30
				PART NO. OSTHWXX3050		X.XX ±0.10
				DWG NO. OSTHWXX3050.dwg		X° ±1°

	SIGN	DESCRIPTION	CHK.	DATE
--	------	-------------	------	------

OST
ON-SHORE TECHNOLOGY, INC.