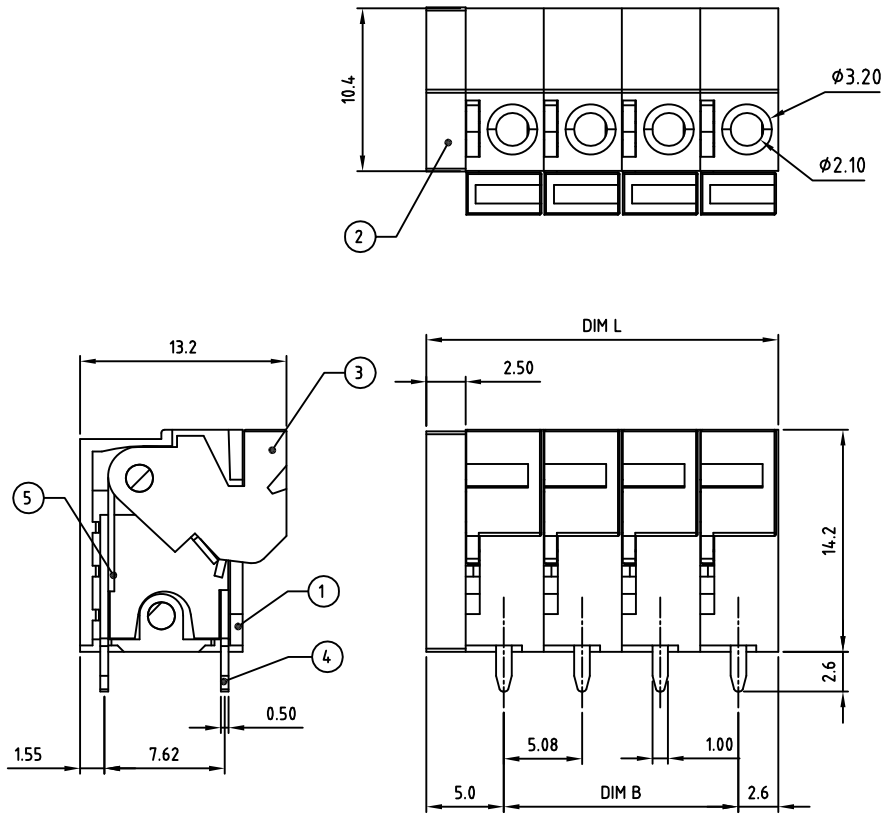


Transfer or duplication of this document as well as the utilisation or communication of its content are not permitted unless express consent is granted. Violations give rise to claims for damages. All rights reserved in case of patent, utility model or design patent registrations.



Technical data

1. Nominal voltage: 300V/10A
PITCH: 5.08mm
2. Connection capacity:
AWG 24-14
3. Insulation Withstanding Voltage:
AC 1600V/MIN
4. Insulation Resistance:
1000MΩ or more at DC500V
5. Stripping length: 9-10mm
6. Operating temperature range: -40°C ~ 115°C
Soldering temperature: 250°C ± 10°C / 5s

7. Undimensioned Tolerances:

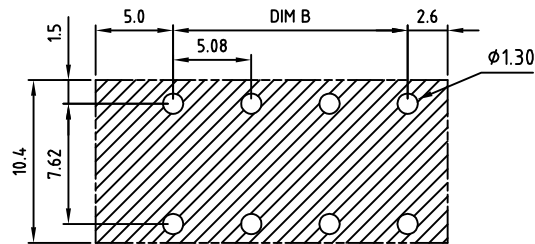
Dim.L = P x 5.08 + 2.5		
Dim.B = (P - 1) x 5.08		
P = number of poles (1-24P)		
0-30mm	Dim B	Dim L
over 30mm-60mm	±0.15	±0.20
over 60mm-90mm	±0.20	±0.25
over 90mm	±0.25	±0.30
	±0.30	±0.40

8. Safety approval:
9. RoHS Compliance

Part No.: OSTHAXX0050

No. of Poles	COLOR
02 2 Poles	0: Black
03 3 Poles	2: Red
...	3: Orange
24 24 Poles	4: Yellow
	5: Green (Standard)
	6: Blue
	8: Grey

Nonstandard colors
Mins could apply



PCB LAYOUT

5	WIRE GUARD	Stainless steel		P	
4	CONTACT	BRASS	Tin PLATED	P	
3	LEVEL	PA66 UL94V-0	Orange	P	
2	End COVER	PA66 UL94V-0	ALL COLOR	1	
1	BODY	PA66 UL94V-0	ALL COLOR	P	
ITEM	NAME OF PART	MATERIAL	NOTES	Q"TY	
DWG	WF. Zhang	DATE 2018.01.08	UNITS: MM	SHEET: 1 OF 1	Tolerance
CHK.	WF. Zhang	DATE 2018.01.08	SCALE: NONE 3:1 (:)	REV: A	X. ±0.50
APP.		DATE	TITLE: OSTHA 5.08 Series 90D wire inlet (Vertical)		X.XX ±0.30
			PART NO. OSTHAXX0050		X* ±1°
			DWG NO. OSTHAXX0050.dwg		

SIGN	DESCRIPTION	CHK.	DATE



ON-SHORE TECHNOLOGY, INC.