

N = Number of poles

Dim A = N x 5.0 + 0.25

Dim B = (N - 1) x 5.0

| Poles | Dim A | Dim B |
|---------|-------|-------|
| 2p-6p | ±0.20 | ±0.20 |
| 7p-12p | ±0.30 | ±0.30 |
| 13p-18p | ±0.40 | ±0.40 |
| 19p-24p | ±0.50 | ±0.50 |

| SIGN | DATE | DESCRIPTION | APPROVER |
|--|------|-------------|----------|
| THIS IS CAD DRAWING, DO NOT REVISE MANUALLY!!! | | | |

Material

- Item ② Terminal screw: Steel Zinc plating "-" slot type
- Item ③ Clamp: Brass, Ni plating
- Item ④ Wire guard solder pin: Brass, Tin plated
- Item ⑤ Terminal housing: Thermoplastic (UL94V-0)

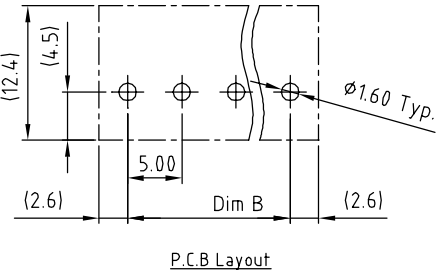
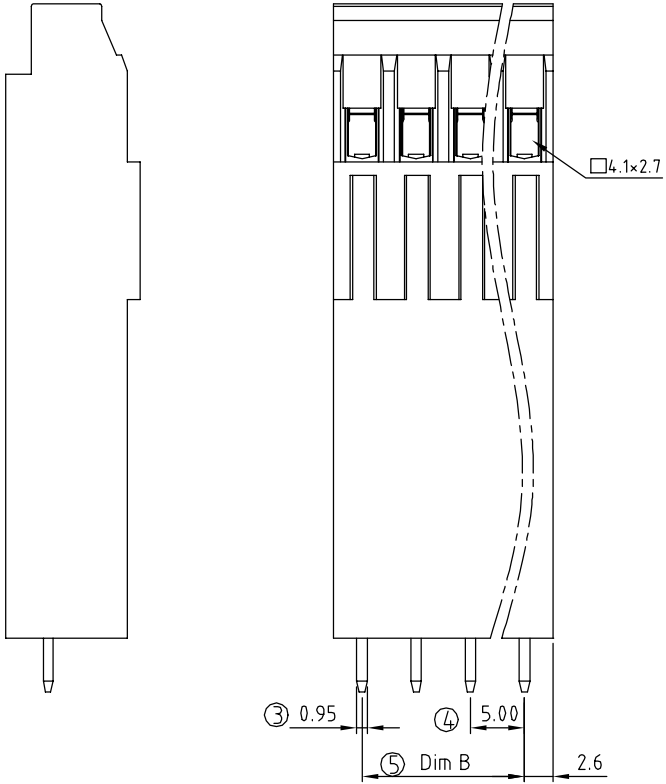
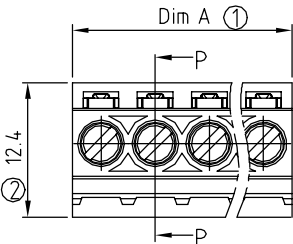
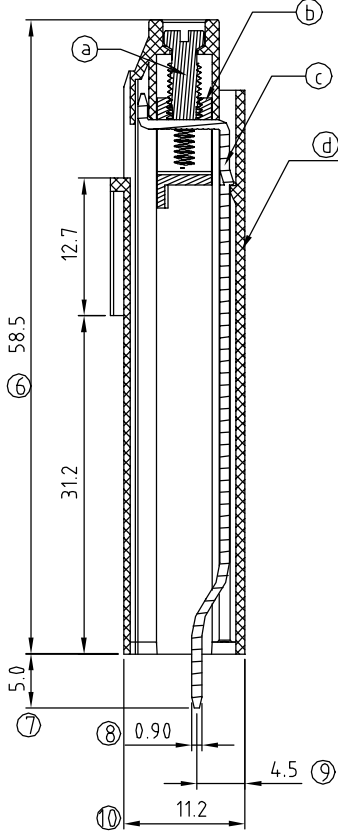
Electrical

- Voltage rating: 300VAC
- Current rating: 15A
- Wire range:
 - Solid wire(AWG): 12-28
 - Stranded wire(AWG): 12-28
- Torque(Lb-In): 4.3
- Screw: M3
- Wire strip length: 7-8mm
- Withstanding Voltage: 1.6KV
- Operating temperature: -40°C to +115°C
- Soldering temperature: 250°C ± 10°C / 5 Sec

PART NO.

YG xx 01 x 1 xxxx G

| | | | |
|----------------|----------------------|--|----------------------|
| | | | RoHS Pb<40,000ppm |
| No. of poles | 0 Black (RAL9005) | 0000 Standard @ Logo | |
| 02 2 Contacts | 2 Red (RAL3001/D) | 000A Standard ANY Logo | |
| 03 3 Contacts | 3 Orange (RAL2011/P) | Any special item by customer request, please contact sales department. | |
| — — — — — | 4 Yellow (RAL1018/A) | | |
| 24 24 Contacts | 5 Green (RAL6018/T) | | |
| | 6 Blue (RAL5015/A) | | |
| | 8 Grey (RAL7035/D) | | |
| | 9 White (RAL1102) | | |
| | C Green (RAL6018/U) | | |



| | | | |
|---|--------------------------------------|----------------------|-------------------|
| ANYTEK | | CUSTOMER COPY | |
| ALL RIGHTS RESERVED. REPRODUCTION OR ISSUE TO THIRD PARTIES IN ANY FORM WHATSOEVER IS NOT PERMITTED WITHOUT WRITTEN AUTHORITY FROM THE PROPRIETOR, PROPERTY OF ANYTEK TECHNOLOGY CO., LTD | | | |
| TITLE | YG 5.0mm Series 2P-24P (W/O cover) | | |
| PART NO. | YGxx01x1xxxxG | DWG NO. | 8YG0101 |
| APPROVED | CHECKED | DESIGNED | DRAWN |
| | | Aaron 2011.04.07 | Jacke 09/05/11 |
| | | CUST NO. | |
| | | | UNIT: mm |
| | | | SCALE: 2:1 |
| | | SHEET: 01/01 | REV.: B |
| | | Tolerance | |
| | | X. | ±0.50 |
| | | X.X | ±0.30 |
| | | X.XX | ±0.10 |
| | | X° | ±1° |