

## SUMMARY



Image is for illustrative purpose only

### # Wires

Coax 1

Series 1V  
Termination type Female solder Coaxial  
IP rating 68 mated (mating interface)  
AWG wire size 0.00 - 0.00  
Cable Ø 0.00 - 0.00 mm  
Status Active  
Matching parts [FVN.1V.275.CTAC60](#)

### Download

[Request a quote](#)

[Catalog](#)

## TECHNICAL DETAILS

### Mechanics

Shell Style/Model EVP\*: Fixed socket, nut fixing  
Keying Circular, female  
Housing Material Brass (chrome plated [SAE AMS 2460]) shell and collet nut, nickel plated [SAE AMS QQ N 290] brass latch sleeve and mid pieces  
Weight 23.67 g

### Performance

Configuration 1V.275 : 1 Coax (75 Ohm)  
Insulator  
Rated Current

### Specifications

Contact Type: Solder

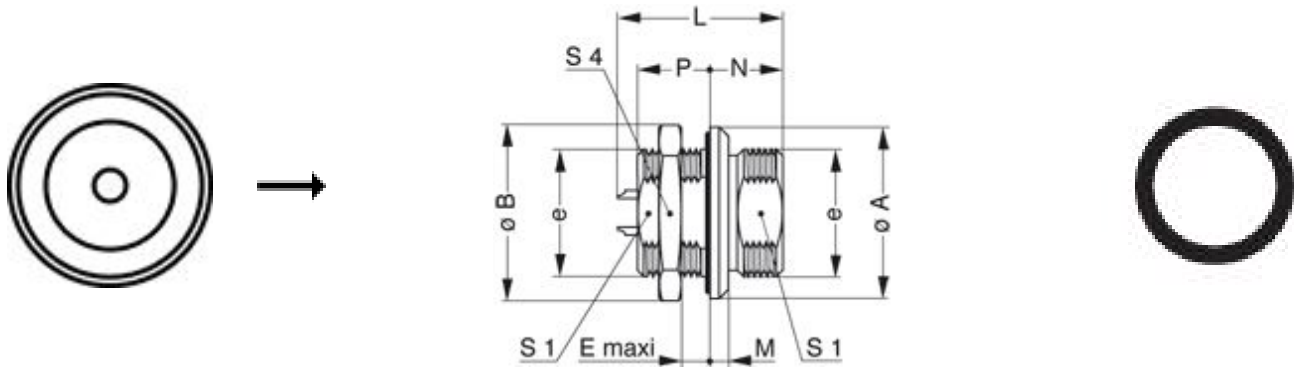
### Others

Endurance (Shell): 1000 mating cycles  
Temp (min / max): -20°C / +200°C  
Climatical Category: 20/200/21  
Shielding (min): 95 dB (10 MHz)

LEMO products and services are provided "as is". LEMO makes no warranties or representations with regard to LEMO product & services or use of them, express, implied or statutory, including for accuracy, completeness, or security. The user is fully responsible for his products and applications using LEMO components.

Shielding (min): 80 dB (1 GHz)  
 Salt Spray Corrosion: >1000 hr  
 Pressure: 30 bars

## DRAWINGS



### Dimensions

	A	B	E	L	M	N	P	S1	S4	e
mm.	21	21.5	10.5	26	2	8	13.5	14.5	19	M16x1.0
in.	0,83	0,85	0,41	1,02	0,08	0,31	0,53	0,57	0,75	

## RECOMMENDED BY LEMO

### Tools

*LEMO products and services are provided "as is". LEMO makes no warranties or representations with regard to LEMO product & services or use of them, express, implied or statutory, including for accuracy, completeness, or security. The user is fully responsible for his products and applications using LEMO components.*