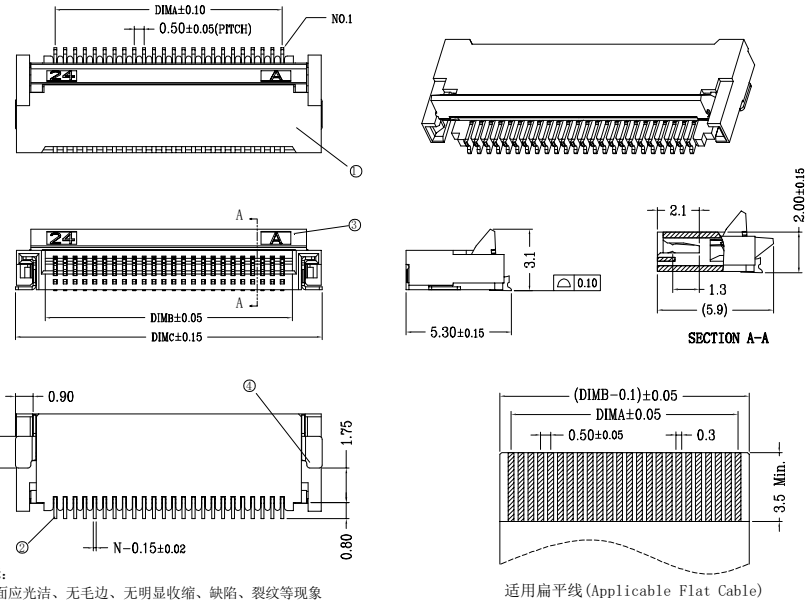


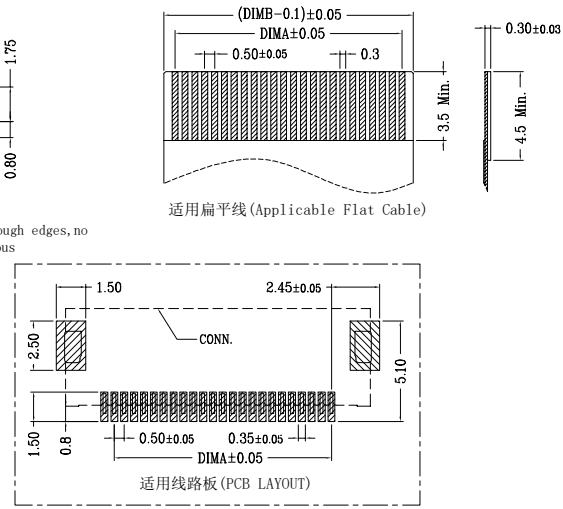
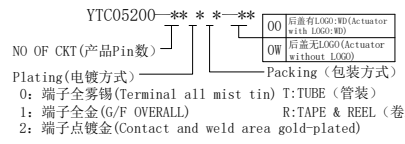
版本	变更内容	工程确认	日期



CKT	DIMA	DIMB	DIMC
4	1.50	2.52	5.54
5	2.00	3.02	6.04
6	2.50	3.52	6.54
7	3.00	4.02	7.04
8	3.50	4.52	7.54
9	4.00	5.02	8.04
10	4.50	5.52	8.54
11	5.00	6.02	9.04
12	5.50	6.52	9.54
13	6.00	7.02	10.04
14	6.50	7.52	10.54
15	7.00	8.02	11.04
16	7.50	8.52	11.54
17	8.00	9.02	12.04
18	8.50	9.52	12.54
19	9.00	10.02	13.04
20	9.50	10.52	13.54
21	10.0	11.02	14.04
22	10.50	11.52	14.54
23	11.00	12.02	15.04
24	11.50	12.52	15.54
25	12.00	13.02	16.04
26	12.50	13.52	16.54
27	13.00	14.02	17.04
28	13.50	14.52	17.54
29	14.00	15.02	18.04
30	14.50	15.52	18.54
31	15.00	16.02	19.04
32	15.50	16.52	19.54

CKT	DIMA	DIMB	DIMC
33	16.00	17.02	20.04
34	16.50	17.52	20.54
35	17.00	18.02	21.04
36	17.50	18.52	21.54
37	18.00	19.02	22.04
38	18.50	19.52	22.54
39	19.00	20.02	23.04
40	19.50	20.52	23.54
41	20.00	21.02	24.04
42	20.50	21.52	24.54
43	21.00	22.02	25.04
44	21.50	22.52	25.54
45	22.00	23.02	26.04
46	22.50	23.52	26.54
47	23.00	24.02	27.04
48	23.50	24.52	27.54
49	24.00	25.02	28.04
50	24.50	25.52	28.54
51	25.00	26.02	29.04
52	25.50	26.52	29.54
53	26.00	27.02	30.04
54	26.50	27.52	30.54
55	27.00	28.02	31.04
56	27.50	28.52	31.54
57	28.00	29.02	32.04
58	28.50	29.52	32.54
59	29.00	30.02	33.04
60	29.50	30.52	33.54
61	39.50	40.52	43.54

· 技术指标:  
 1. 塑件表面应光洁、无毛边、无明显收缩、缺陷、裂纹等现象  
 (The surface of the plastic parts should be smooth, no rough edges, no obvious shrinkage, defects, smooth, no rough edges, no obvious shrinkage, defects, cracks and other phenomena.)  
 2. 温度范围(Temperature range): -25°C +85°C  
 3. 额定电压(Rated voltage): 50V AC/DC (=等效)  
 4. 接触电阻(Contact resistance): ≤0.03 Ω  
 5. 绝缘电阻(Insulation resistance): ≥500M Ω  
 6. 产品料号(Product material No.):



A

A

B

B

C

C

D

D

E

E

F

F

序号 (NO.)	品名 (Name)	材质 (Material)
①	0.5 后压胶芯(H=2.0) 0.5 PH Backflip Type Housing (H=2.0)	LCP UL94V-0 本色 Natural
②	0.5 后压端子(H=2.0) 0.5 PH Backflip Type Terminal (H=2.0)	铜合金/表面镀金 Copper Alloy/ Gold Plating
③	0.5 后压后盖(H=2.0) 0.5 PH Backflip Type Actuator (H=2.0)	LCP UL94V-0 黑色 Black
④	0.5 后压焊片(H=2.0) 0.5 PH Backflip Type Fitting Nail (H=2.0)	铜合金/表面镀锡 Copper Alloy/ Tin Plating

深圳市怡远科技有限公司 SHENZHEN YIYUAN TECHNOLOGY CO., LTD		页码(SHEET)	1/1	单位(UNIT): MM
		版本(REV)	A1	比例(SCALE)
品名(ITEM NO)	0.5 Pitch后压卧式(H=2.0)	日期(DATE)	2021.10.12	一般公差 ±0.50 .XX ±0.10 .X ±0.20 .XXX ±0.05 ANGLES.X° ±1°
料号(PART NO)	YTC05200-***-***HW	设计(DESIGN)	LUO	
图号(DWG NO)		审核(CHECKED)	ROGER LI	
		核准(APPROVED)	ROC ZHAO	
These drawings and specifications are Shenzhen Yiyuan Technology Co Ltd. The property should not be copied. Without Shenzhen Yiyuan Technology Co. Ltd. Prior written consent to copy or use in any way. Email at info@yiyuanswitches.com				