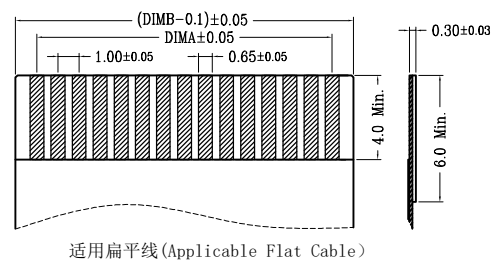
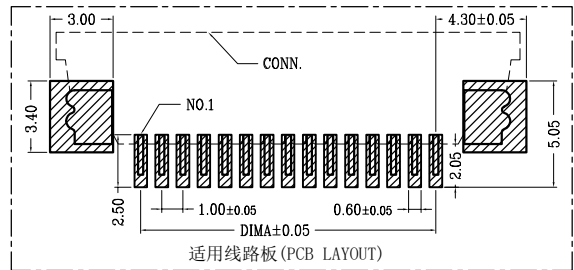
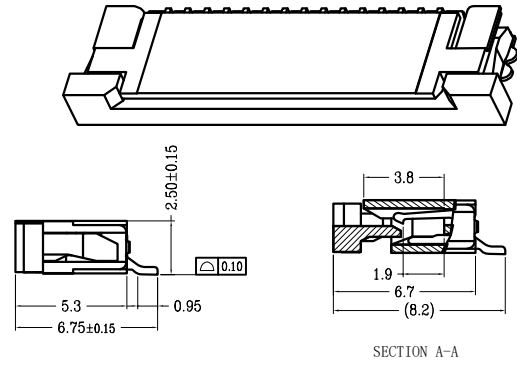
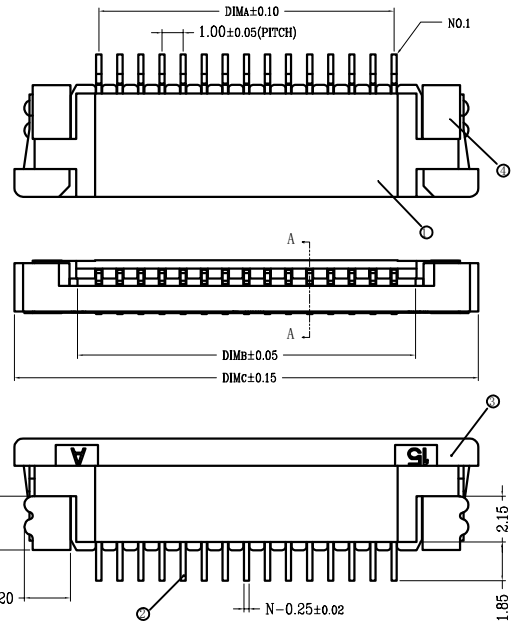


版本	变更内容	工程确认	日期



CKT	DIMA	DIMB	DIMC
4	3.00	5.30	11.10
5	4.00	6.30	12.10
6	5.00	7.30	13.10
7	6.00	8.30	14.10
8	7.00	9.30	15.10
9	8.00	10.30	16.10
10	9.00	11.30	17.10
11	10.00	12.30	18.10
12	11.00	13.30	19.10
13	12.00	14.30	20.10
14	13.00	15.30	21.10
15	14.00	16.30	22.10
16	15.00	17.30	23.10
17	16.00	18.30	24.10
18	17.00	19.30	25.10
19	18.00	20.30	26.10
20	19.00	21.30	27.10
21	20.00	22.30	28.10
22	21.00	23.30	29.10
23	22.00	24.30	30.10
24	23.00	25.30	31.10
25	24.00	26.30	32.10
26	25.00	27.30	33.10
27	26.00	28.30	34.10
28	27.00	29.30	35.10
29	28.00	30.30	36.10
30	29.00	31.30	37.10
31	30.00	32.30	38.10
32	31.00	33.30	39.10
33	32.00	34.30	40.10
34	33.00	35.30	41.10
35	34.00	36.30	42.10
36	35.00	37.30	43.10
37	36.00	38.30	44.10
38	37.00	39.30	45.10
39	38.00	40.30	46.10
40	39.00	41.30	47.10

技术指标 (Technical Index):

1. 塑件表面应光洁、无毛边、无明显收缩、缺陷、裂纹等现象。
(The surface of the plastic parts should be smooth, no rough edges, no obvious shrinkage, defects, cracks and other phenomena.)
2. 温度范围 (Temperature range): -25° C ~ +85° C.
3. 额定电压 (Rated voltage): 50V, AC/DC (=等效).
4. 接触电阻 (Contact resistance): ≤ 0.03 Ω.
5. 绝缘电阻 (Insulation resistance): ≥ 500M Ω.
6. 产品料号 (Product material No.):

YTC10251-*** ** * **

00 有盖有LOGO:WD	00 有盖有LOGO
01 有盖无LOGO	01 有盖无LOGO, 焊片雾锡
02 有盖无LOGO, 焊片雾锡	

NO OF CKT (产品PIN数) Plating (电镀方式)

0: 端子全雾锡 (Terminal all mist tin)
1: 端子全金 (G/F OVERALL)
4: 端子全亮锡 (Terminal all bright tin)

Packing (包装方式)
T: TUBE 管装
R: TAPE & REEL 卷装

序号	品名	材质
①	1. OK型胶芯 (H2.5) 1. OK Type Housing (H2.5)	LCP UL94V-0 本色 Natural
②	1. OK型上接端子 (H2.5) 1. OK Type Upper Terminal (H2.5)	铜合金/表面镀锡 Copper Alloy/ Tin Plating
③	1. OK型卧式后盖 (H2.5) 1. OK Type Actuator (H2.5)	LCP UL94V-0 黑色 Black
④	1. OK型卧式焊片 (H2.5) 1. OK Type Fitting Nail (H2.5)	铜合金/表面镀锡 Copper Alloy/ Tin Plating

深圳市怡远科技有限公司 SHENZHEN YIYUAN TECHNOLOGY CO., LTD		页码 (SHEET)	1/1	单位 (UNIT):	MM
		版本 (REV)	A1	比例 (SCALE)	
品名 (ITEM NO)	1.0 Pitch K型卧式上接 (H=2.5)	日期 (DATE)	2021.10.12	一般公差 . ±0.50 .XX ±0.10 .X ±0.20 .XXX ±0.05 ANGLES .X° ±1°	
料号 (PART NO)	YTC10251-*** ** * **LW	设计 (DESIGN)	LUO		
图号 (DWG NO)		审核 (CHECKED)	ROGER LI		
		核准 (APPROVED)	ROC ZHAO		

These drawings and specifications are Shenzhen Yiyuan Technology Co Ltd. The property should not be copied. Without Shenzhen Yiyuan Technology Co. Ltd. Prior written consent to copy or use in any way. Email at info@yiyuanswitches.com