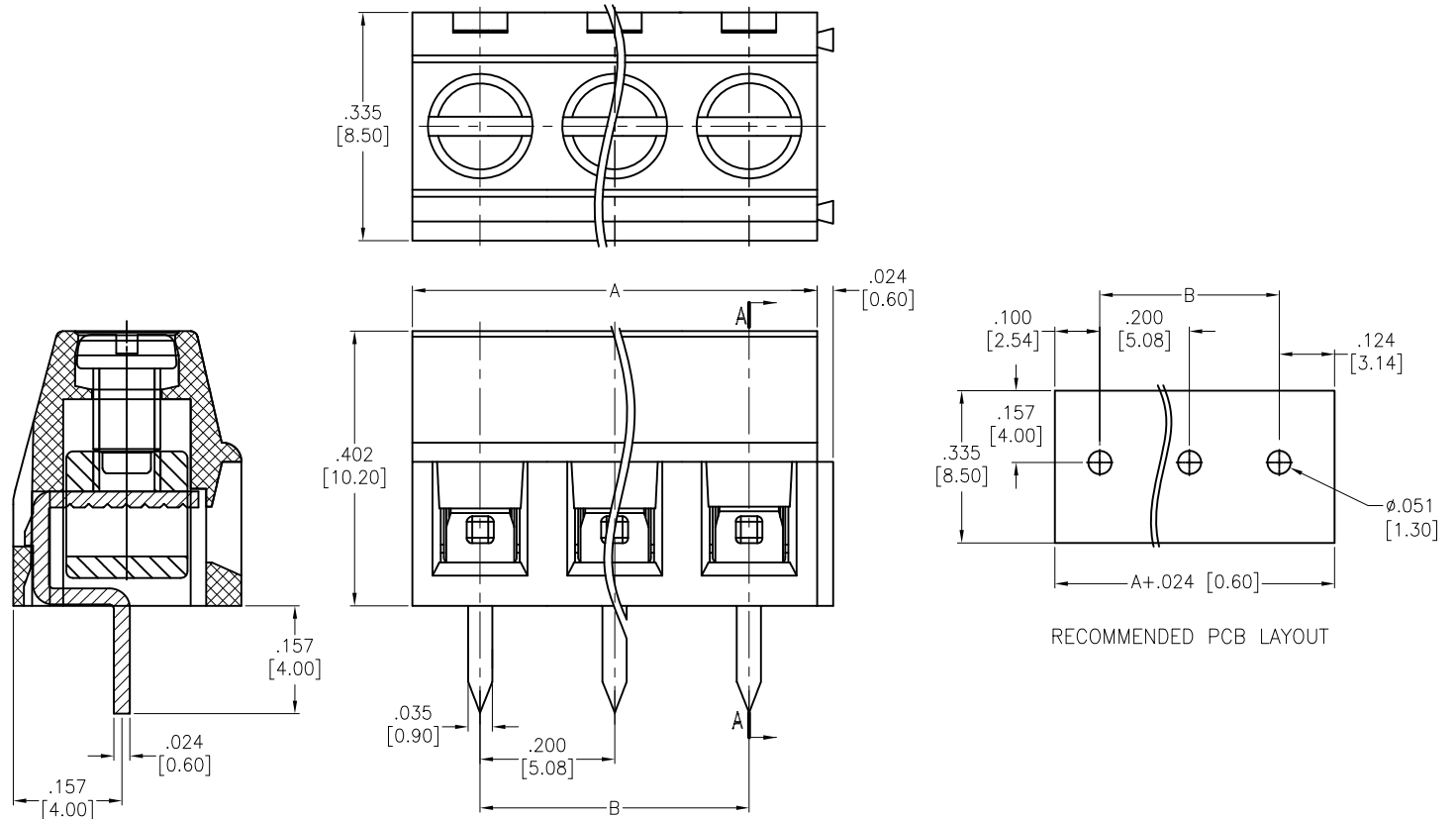


APPROVED: _____
 DATE: _____ TITLE: _____

Rev	AWO #	Description	Date	Appr
-		RELEASED	1/17/14	
A		REVISED SHAPE	6/26/14	AY/SY
B		UPDATE SPEC.	7/30/18	AY/RC1



SPECIFICATIONS:

Material:
 Insulator: PA66, rated UL 94V-0
 Insulator color: Green
 Screw: M2.5, Steel, Zinc plated.
 Contact: Brass, Tin plated.
 Cage: Brass, Nickel plated.

Electrical:
 Voltage rating: 300V
 Current rating: 8A
 Contact Resistance: 20 mohms max.
 Insulation resistance: 500 Mohms min @DC 500V
 Dielectric withstanding voltage: 2000 VAC for 1 minut

Mechanical:
 Torque: 0.4Nm(3.6lb-in)
 Wire Range: 26-16 AWG 1.5mm²
 Wire strip length: 5~6mm

Environmental:
 -40°C to +105°C

Environmental:
 Lead free, RoHS compliant.



Poles: 2 thru 24
 A = .200 [5.08] X No. of Positions
 B = .200 [5.08] x No. of Spaces

UNLESS OTHERWISE SPECIFIED ALL DIMENSIONS ARE INCHES [MM] TOLERANCES: EXCEPT AS NOTED INCHES HOLES .X ± .10 Ø.X ± .10 .XX ± .020 Ø.XX ± .015 .XXX ± .015 Ø.XXX ± .010		ADAM TECH INTERCONNECTS		909 Rahway Avenue, Union, NJ 07083 Phone: 908-687-5000 Fax: 908-687-5710		
		TITLE: EURO BLOCK, .200 [5.08] PITCH				
APPROVALS		DATE		SIZE	PART NO.	REV.
DRAWN	AY	1/17/14		X	EB21A-XX-D	B
CHECKED	SY	1/17/14		REF:	S00067C	SCALE: NTS
APPROVED						SHEET 1 OF 1

6

5

4

3

2

1

6

5

4

3

2

1