



- 1NO/1NC, 2NO/2NC, 3NO/3NC
- Single Pole, Double Throw (SPDT); Double Pole, Double Throw (DPDT); Triple Pole, Double Throw (TPDT)
- Cam-Type SNAP-LOCK® Technology
- Three Mounting Styles Available (Standard, Wide, Long)
- Die-cast Zinc Housing for Corrosion Resistance
- Generous Overtravel
- Heavy Duty Cam Operated. Fast Contact Action
- Flexibility of Motion, CW and CCW
- Light Operating Torque

Technical Data

- Meets NEMA 1, 4 & 13 requirements. Enclosure is watertight, oil & dust tight
- Contacts made of silver alloy. Contact shifting mechanism is locked in position by the latches until switch lever is actuated.
- Temperature Range: -20°C to +90°C.
- Operating Lever is adjustable to any required position. Operating Lever Angles (CW or CCW) maximum degrees of trip travel, reset travel, as well as total lever travel, are determined by the cam selected
- Wiring space is ample for up to size 12 wire with easily accessible terminal screws
- Form "Z" contact arrangement
- Options available
 - Precious metal contacts for optimal performance
 - High Temperature (0°C to +150°C) components and lubricants
 - Low Temperature (-40°C to +90°C) components and lubricants
- Weight - Approx. 3.5 lbs.

Continuous Current Rating - Amperes

Volts	AC	DC
125	20	5
250	15	1.5
480	10	
600	5	

75-100% Power Factor

Continuous Current Rating - Amperes (Neutral Position)

Volts	AC	DC
125	10	2.5
250	7.5	.75
480	5	
600	2.5	

Typical Cams

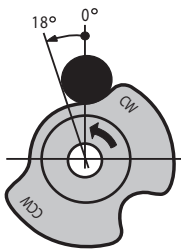
The versatility of the Snap-Lock mechanism is achieved with the use of a series of uniquely designed cams. A standard EA700 series switch, supplied with a combination B1/B2 cam.

Combination B1/B2 CAM

The following three operating sequences are built into the combination cam used in the standard EA700 switches; B1 Single Action CW, B1 Single Action CCW and B2 Double Action CW & CCW.

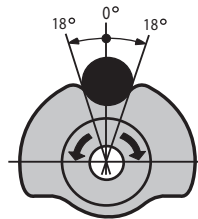
1. The contacts function when the lever is operated CW. The lever can be operated CCW but the contacts will not operate.
2. The contacts function when the lever is operated CCW. The lever can be operated CW but the contacts will not operate.
3. The contacts function when the lever is operated CW or CCW.

B1 Single Action



Normally open to make (normally closed to break) IN ONE DIRECTION ONLY. Lever and cam are spring returned to starting position. Used on Single Action Switches only.

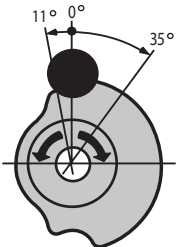
B2 Double Action



Normally open to make (normally closed to break) IN EITHER DIRECTION. Lever and cam are spring returned to starting position.

Neutral Position N CAM

The neutral position cam is designed for applications requiring a neutral position in the contact arrangement. Both the operating lever and cam are spring returned to starting position. The maximum lever travel in either direction is 90°.

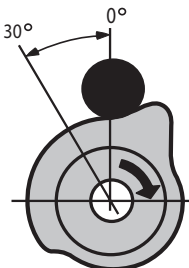


This is the contact action of neutral switches:

- As the lever is moved clockwise the lower contact transfers. As the lever is spring returned to starting position the lower contact is returned to its original position.
- As the lever is moved counterclockwise from starting position the upper contact transfers. As the lever is spring returned to starting position the upper contact returns.

Maintained Position CAM

Maintained Switches are available for applications that require maintained contacts and are available with two contact operations:



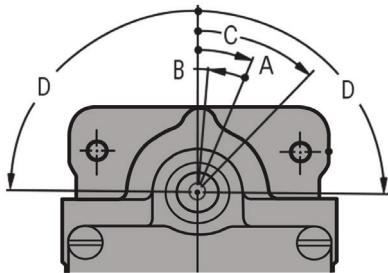
1. When the lever is moved clockwise the normally open contacts close and the normally closed contacts open. The lever is maintained in tripped position. As the lever is activated counterclockwise to starting position, normally open contacts open and normally closed contacts close.
2. When the lever is moved clockwise the normally open contacts close and the normally closed contacts open. This contact arrangement is maintained as the lever is spring returned to starting position and until the lever is moved counterclockwise when the normally open contacts open and the normally closed contacts close.

Operational Data

Standard - B1/B2 CAM Combination

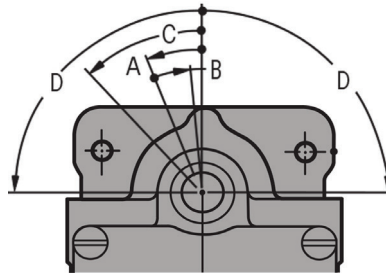
A. Trip Travel	18°
B. Reset Travel	14°
C. Recommended Travel	30°
D. Total Travel	90°

Torque	
1NO/1NC	15 lb-in.
2NO/2NC	27 lb-in.
3NO/3NC	33 lb-in.



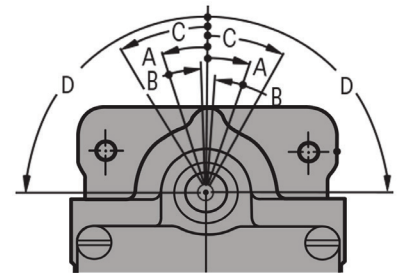
CW Operation Only

Contacts transfer when lever is operated CW. Lever can be operated CCW but contacts will not transfer.



CCW Operation Only

Contacts transfer when lever is operated CCW. Lever can be operated CW but contacts will not transfer.



CW & CCW Operation Only

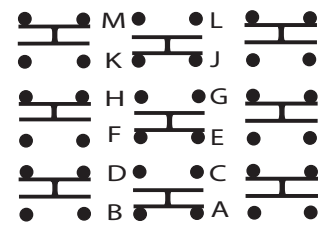
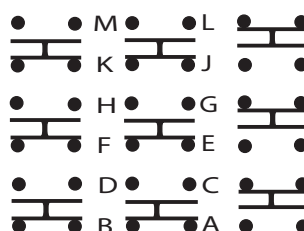
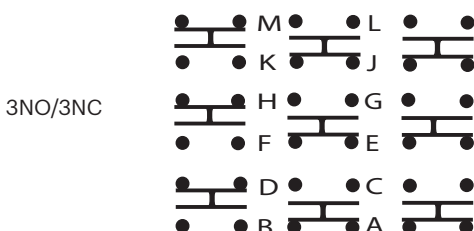
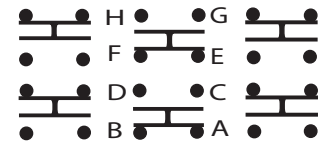
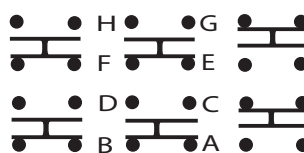
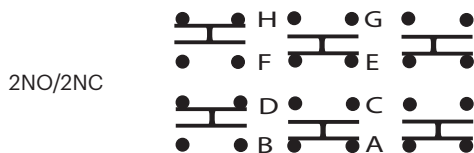
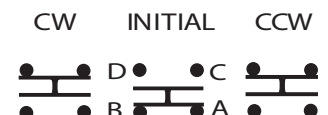
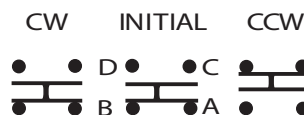
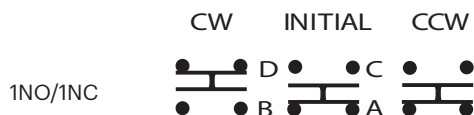
Contacts transfer when lever is operated CW or CCW.

Contact Configurations

CW Operation Only

CCW Operation Only

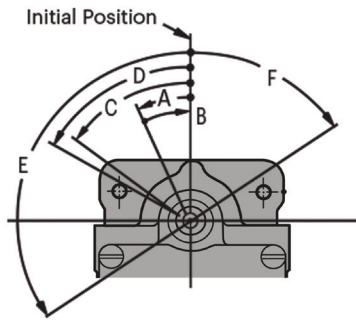
CW & CCW Operation Only



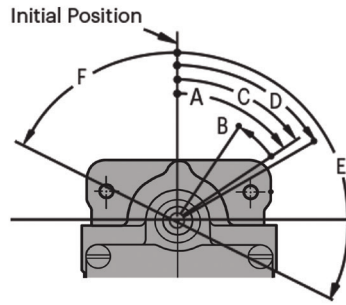
Operational Data

Maintained Contacts - M CAM..... CCW CW

A. Trip Travel	25° 55°	Torque	
B. Reset Travel	25° 22°	1NO.....	CW..... 6 lb-in.
C. Min. Travel to Maintain.....	54° 55°	1NC.....	CCW..... 9 lb-in.
D. Recommended Travel	60° 60°		
E. Total Travel.....	124° 116°	2NO.....	CW..... 6 lb-in.
F. Overall Travel	56° 64°	2NC.....	CCW..... 12 lb-in.



Position 1 - CCW



Position 2 - CW

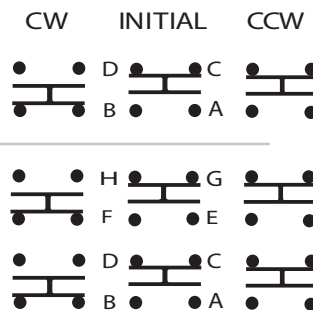
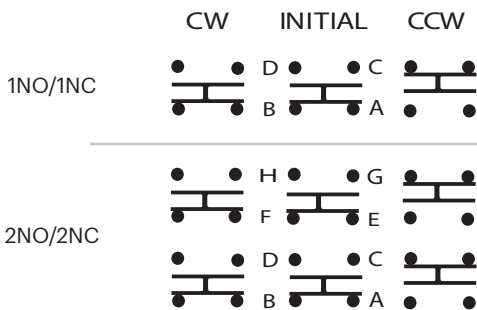
M CAM - Maintained Contacts & Lever Position

Lever and contacts are maintained in tripped position. When lever is moved CCW the N.C. contacts open and the N.O. contacts close. Starting at this position rotating the lever CW the N.O. contacts open and the N.C. close.

Contact Configurations

Position 1 - CCW

Position 2 - CW

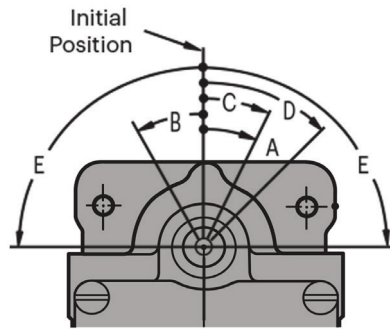
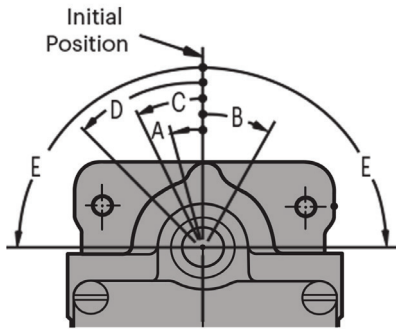


Operational Data

Maintained Contacts - M7 CAM CCW CW

A. Trip Travel	16°	30°
B. Reset Travel	30°	26°
C. Min. Travel to Maintain	26°	30°
D. Recommended Travel	45°	45°
E. Total Travel	90°	90°

Torque	
1NO	CW 12 lb-in.
1NC	CCW 13.5 lb-in.
2NO	CW 15 lb-in.
2NC	CCW 16.5 lb-in.



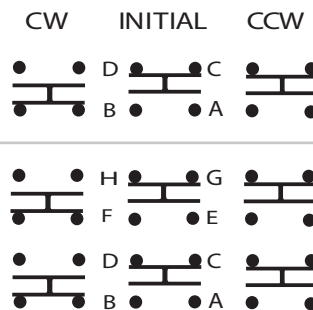
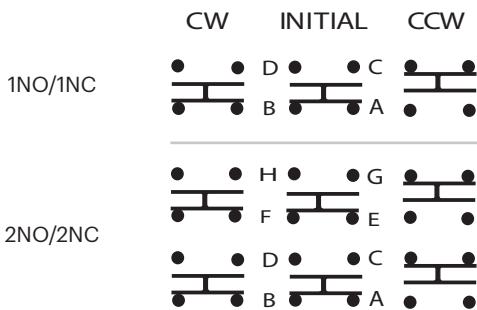
M7 CAM - Maintained Contacts - Lever Returned

Contacts are maintained in tripped position, torsion spring will return lever to initial position when released. When lever is moved CCW the N.C. contacts open and the N.O. contacts close. The lever must then be returned to the initial position and be operated in the CW direction to reset the contacts.

Contact Configurations

Position 1 - CCW

Position 2 - CW

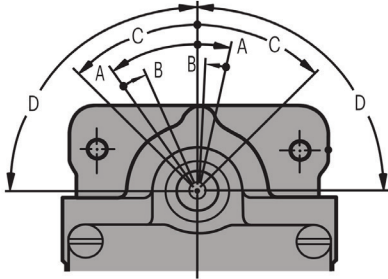


Operational Data

Neutral Contacts - N CAM.....CW .. CCW

A. Trip Travel	11° 35°
B. Reset Travel	9° 13°
C. Recommended Travel	45° 45°
D. Total Travel.....	90° 90°

Torque	
2NO	CW 18 lb-in.
2NO	CCW 13.5 lb-in.
4NO	CW 9.5 lb-in.
4NC	CCW 15 lb-in.
2NC	CW 18 lb-in.
2NC	CCW 13.5 lb-in.



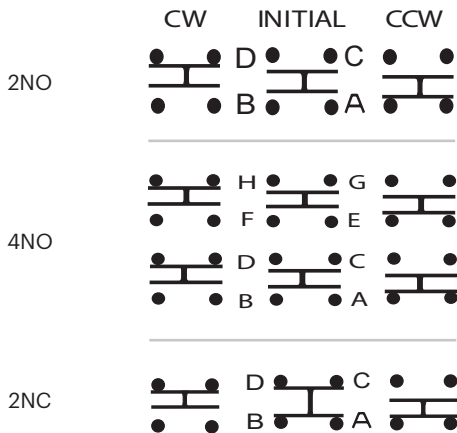
N CAM – Neutral Position - All Contacts Open

As lever is moved CW upper contacts close. As lever is spring returned to starting position upper contacts open. As lever is moved CCW from starting position lower contacts close. As lever is spring returned to starting position lower contacts open.

N CAM – Neutral Position - All Contacts Closed

As lever is moved CW lower contacts open. As lever is spring returned to starting position lower contacts close. As lever is moved CCW from starting position upper contacts open. As lever is spring returned to starting position upper contacts close.

Contact Configurations

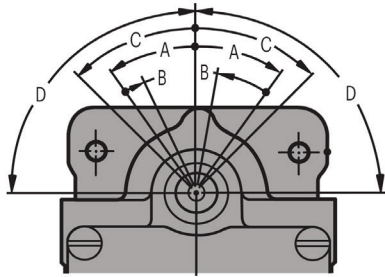


Operational Data

Neutral Contacts - N1 CAM CW .. CCW

A. Trip Travel	31°	31°
B. Reset Travel	22°	12°
C. Recommended Travel	45°	45°
D. Total Travel	90°	90°

Torque	
2NO	CW 18 lb-in.
2NO	CCW 13.5 lb-in.
4NO	CW 9.5 lb-in.
4NC	CCW 15 lb-in.
2NC	CW 18 lb-in.
2NC	CCW 13.5 lb-in.



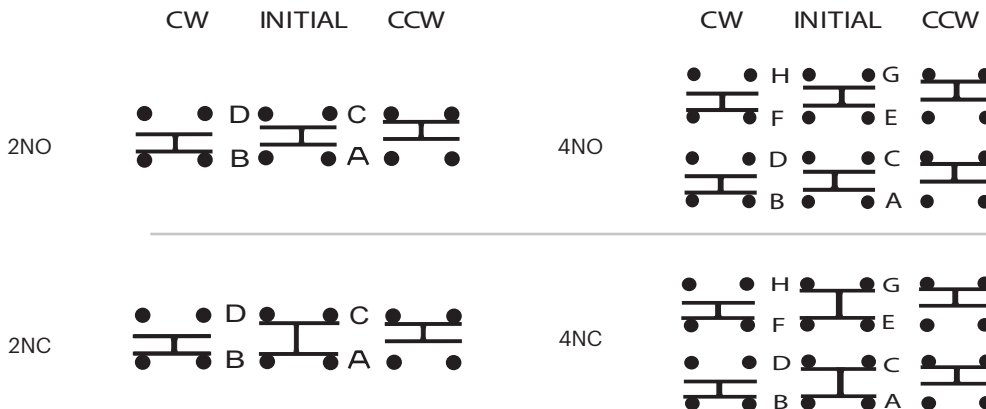
N1 CAM - Neutral Position - All Contacts Open

As lever is moved CW lower contacts close. As lever is spring returned to starting position lower contacts open. As lever is moved CCW from starting position upper contacts close. As lever is spring returned to starting position upper contacts open.

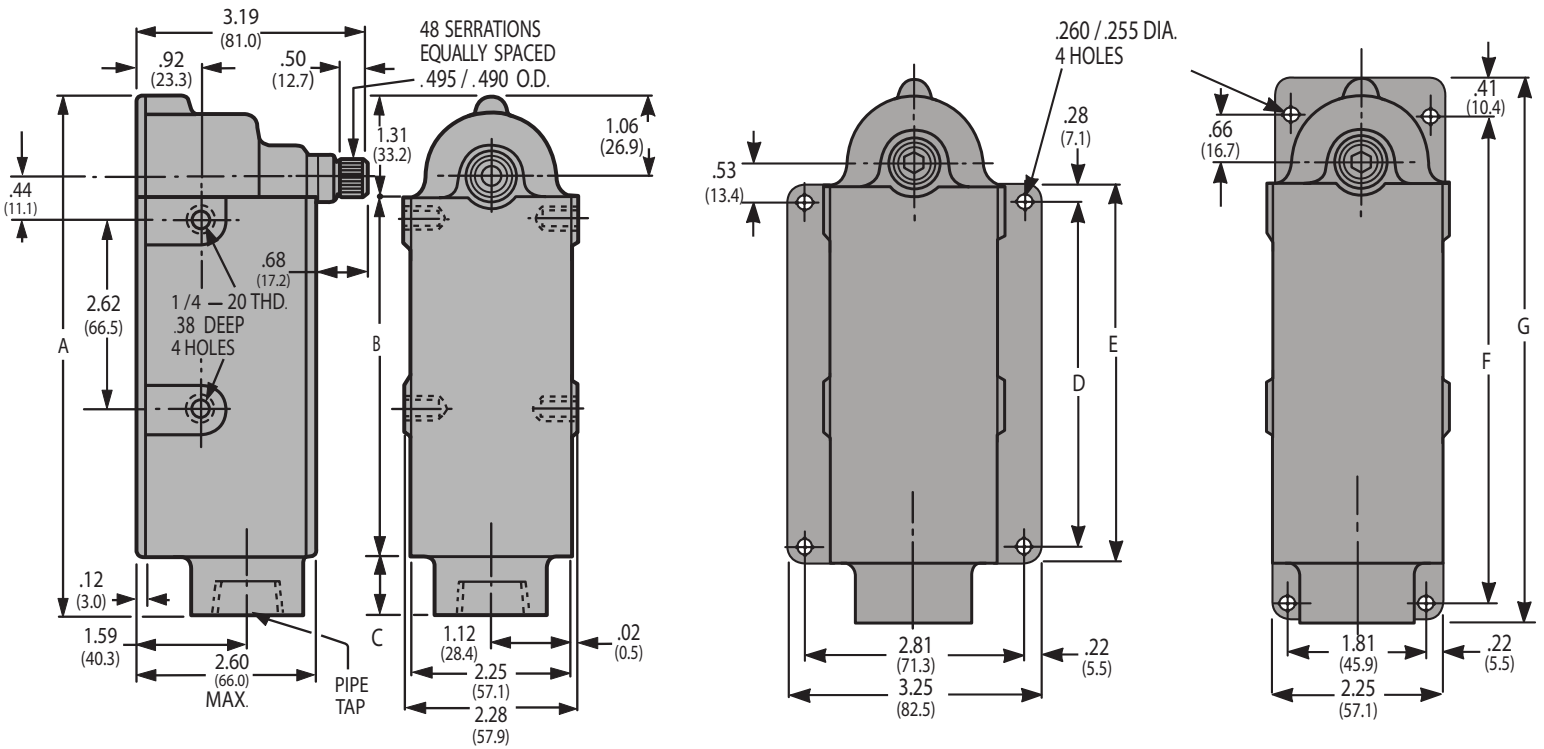
N1 CAM - Neutral Position - All Contacts Closed

As lever is moved CW upper contacts open. As lever is spring returned to starting position upper contacts close. As lever is moved CCW from starting position lower contacts open. As lever is spring returned to starting position lower contacts close.

Contact Configurations



Dimensions & Mounting

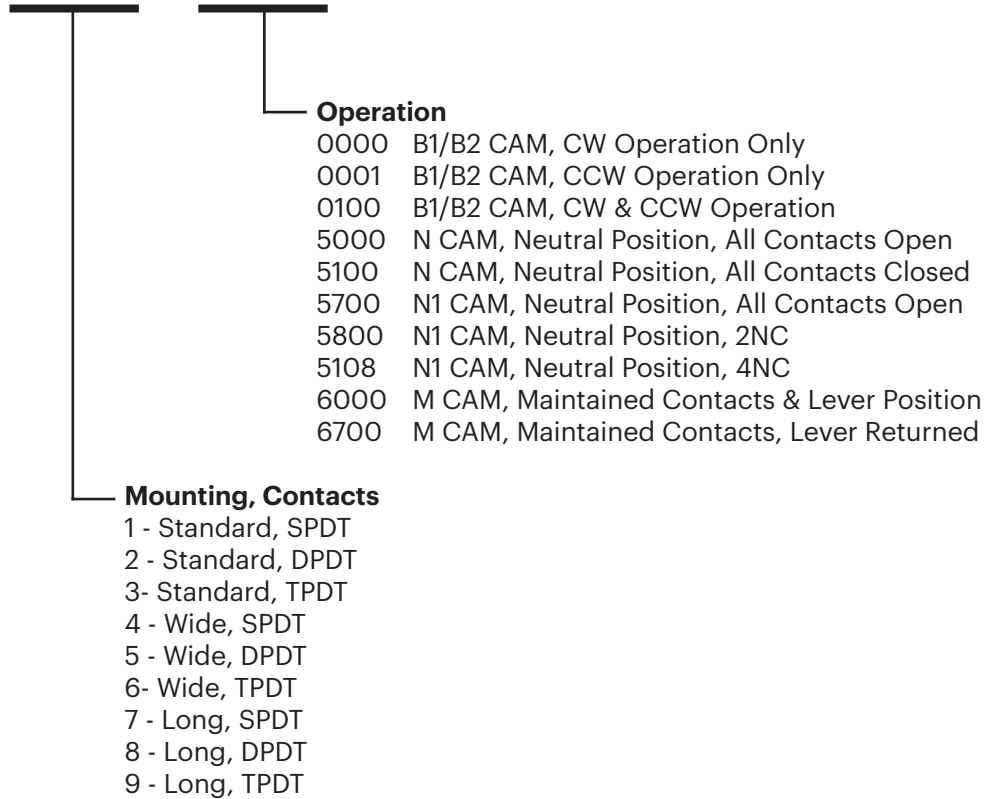


Contact Sequence	Standard Switch				Mounting Style			
					Wide		Long	
	Pipe Tap Size	A	B	C	D	E	F	G
1NO/1NC	1/2-14 NPT	4.94	3	0.62	2.44	3	4.22	4.84
2NO/2NC	1-11 1/2 NPT	7.06	4.94	0.81	4.38	4.94	6.41	7.06
3NO/3NC	1-11 1/2 NPT	9.62	7.5	0.81	6.94	7.5	8.97	9.62

All dimensions given in Inches (mm)

Ordering Information

EA700 -



Special variations are available. Please consult factory.