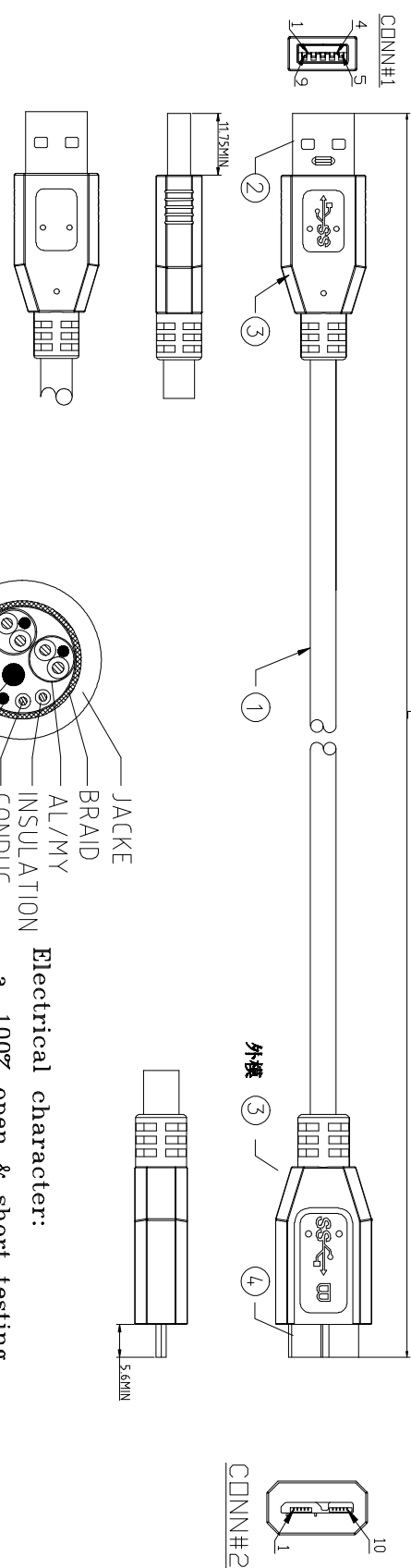
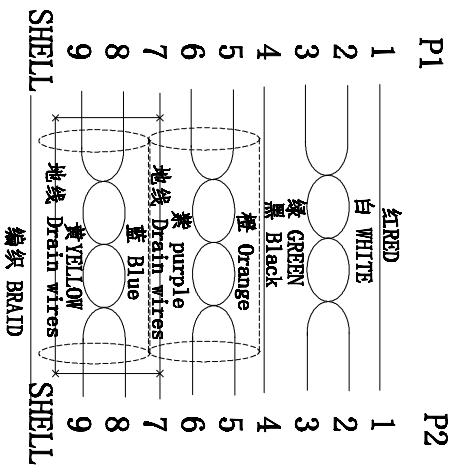


This document is the property of Metek Corporation and is delivered on the express condition that is not to be disclosed, reproduced or used in whole or in part, for manufacture or sale by anyone other than Metek Corporation without the prior written consent. No right is granted by disclosure or by use, copy or reproduction of this document. The marking on this product doesn't contain environmental hazardous materials in accordance with the RoHS Directive 2002/95/EC for parts compliance.

序号	成品长度 (单位MM)	裁线长度 (单位MM)	扎带	胶袋	装箱数量	纸箱尺寸	部品名称	部品料号
1	L1=300±15MM	L1= 290±5MM	白色 扎带 50MM	透明PE袋自封口120×180 MM	700PCS	450×300×300	USB3.0 AM-MK蓝色 0.3米	306551-03014.02
2	L2=500±25MM	L2=480±10MM	白色 扎带 50MM	透明PE袋自封口120×180 MM	500PCS	450×300×300	USB3.0 AM-MK蓝色 0.5米	306551-05014.02
3	L3=1000±30MM	L3=980±15MM	白色 扎带 50MM	透明PE袋自封口120×180 MM	300PCS	450×300×300	USB3.0 AM-MK蓝色 1米	306551-10014.02
4	L4=1500±40MM	L4=1480±20MM	白色 扎带 80MM	透明PE袋自封口150×200 MM	250PCS	450×300×300	USB3.0 AM-MK蓝色 1.5米	306551-15014.02
5	L5=1800±50MM	L5=1780±25MM	白色 扎带 80MM	透明PE袋自封口150×200 MM	200PCS	450×300×300	USB3.0 AM-MK蓝色 1.8米	306551-18014.02
6	L6=3000±75MM	L6=2960±30MM	白色 扎带 120MM	透明PE袋自封口150×200 MM	110PCS	450×300×300	USB3.0 AM-MK蓝色 3米	306551-30014.02
7	L7=5000±90MM	L7=4950±40MM	白色 扎带 150MM	透明PE袋自封口150×200 MM	70PCS	450×300×300	USB3.0 AM-MK蓝色 5米	306551-50014.02



PIN ASSIGNMENT



CABLE SPECIFICATION

No.	DESCRIPTION	QTY.	PART NUMBER	DETAIL
5	PE胶料	4g	J4-111105	白色PE料
4	Mirco USB	1PCS	C3-110411	USB MircoB 镀金IU
3	PVC胶料	12g	J2-451102	PVC 45P Blue UI.94V-0
2	USB公头	1PCS	C3-110112	USB A(M)镀金IU
1	Cable	依附表	X3-550612	UI.20276 (#30*1P+D+AL+M)*2+#30*1P+#26*2C+ABD OD. 5.5mm Blue

Electrical character:

- a. 100% open & short testing.
- b. Withstanding voltage: DC 300V 0.01Sec.
- c. Insulation resistance: 5M Ohm(Min).
- d. Conductive resistance: 3 Ohm(Max).

TOLERANCE		APPROVALS		DATE	THE	
X.	±0.5	SWAM	FRED	26/03/2018	USB 3.0 AM-MircoB(蓝色)	
XX	±0.3					
XXX	±0.20					
XXXX	±0.10					
ANGULAR ±1°		DRAWING		PROJECT CODE		
UNLESS OTHERWISE SPECIFIED		PART TIME		SCALE		
				1:1		
				SHEET		
				1/1		
				PART No.		
				306551-XXXX14.02		
				PART No.		
				306551-50014.02		
				SHEET		
				01		



东莞市讯联电子有限公司