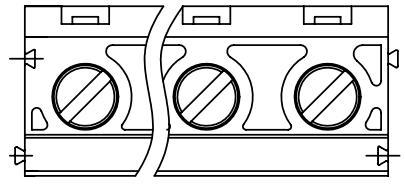


SIGN	DATE	DESCRIPTION	APPROVER
△	11/09'10	Add is " VDE "	Aaron
△			
△			

THIS IS CAD DRAWING, DO NOT REVISE MANUALLY!!!



DIMENSION		Poles	Tolerance
Dim A	N×7.5	4p-8p	±0.15
Dim B	(N-1)×7.5	9p-12p	±0.25
		13p-16p	±0.35

N=Number of contacts

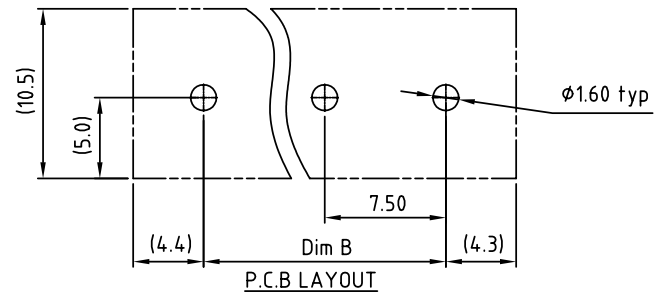
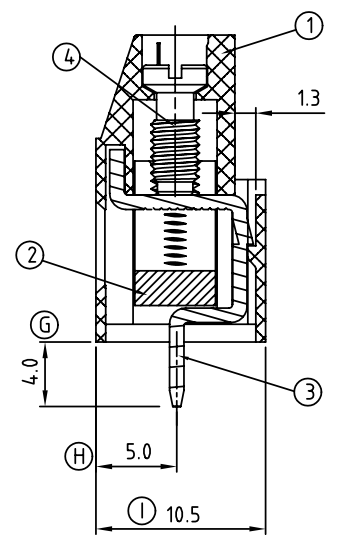
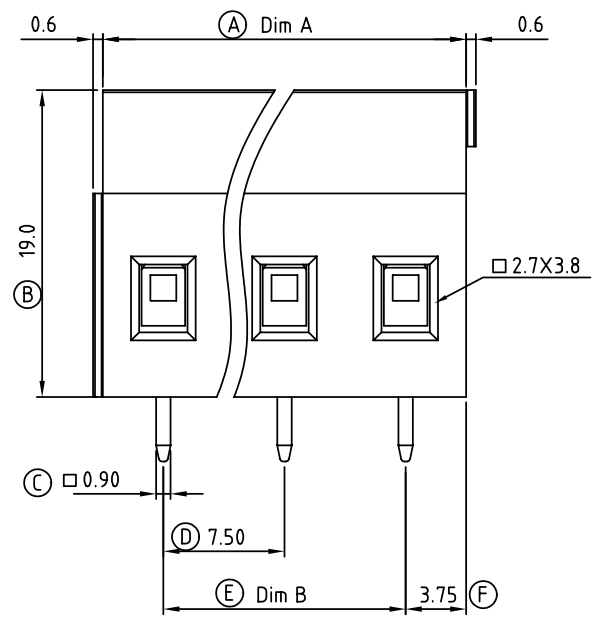
- Material:
- Item 1 Terminal housing:Thermoplastic (UL 94V-0)
 - Item 2 Clamp: Brass Ni plated
 - Item 3 Wire guard solder pin:Brass Tin plated
 - Item 4 Terminal screw: Steel Zinc plating"- "slot type

- △ Electrical cULus VDE
- Voltage rating: 300VAC 750V
 - Current rating: 20A 24A
 - Wire range : 0.2-2.5mm²
 - Solid wire(AWG): 12-30
 - Stranded wire(AWG): 12-30
 - Torque(Lb-In): 3.5 0.5 N.m
 - Screw: M3
 - Wire strip length: 6-7mm
 - Withstanding Voltage: 1.6KV 3KV
 - Operating temperature: -40°C to +115°C
 - Soldering temperature: 250°C±10°C/5 Sec
 - Safety Approval:



VJ xx 41 x 5 xxxx G

- RoHS Pb<40,000ppm
- | | | |
|----------------|---------------------|---------------------------------------|
| No. of poles | 0 Black (RAL9005) | 0000:"@ "Logo (Standard) |
| 04 4 CONTACTS | 2 Red (RAL3001/D) | 000A:"ANYTEK"Logo |
| 05 5 CONTACTS | 3 Orange(RAL2011/P) | Any special item by customer request, |
| ... | 4 Yellow(RAL1018/A) | please contact sales department. |
| 16 16 CONTACTS | 5 Green(RAL6018/T) | |
| | 6 Blue (RAL5015/A) | |
| | 8 Grey(RAL7035/D) | |



ANYTEK		CUSTOMER COPY	
<small>ALL RIGHTS RESERVED. REPRODUCTION OR ISSUE TO THIRD PARTIES IN ANY FORM WHATSOEVER IS NOT PERMITTED WITHOUT WRITTEN AUTHORITY FROM THE PROPRIETOR. PROPERTY OF ANYTEK TECHNOLOGY CO., LTD</small>			
TITLE	VJ-7.5 Series 4P-16P Horizontal Solid block (180D wire inlet)-----Without cover		
PART NO.	VJxx41x5xxxxG	DWG NO.	8VJ0208
APPROVED	CHECKED	DESIGNED	DRAWN
		Aaron 2010.11.09	Aaron 2009.10.19
		SHEET: 01/01	
		UNIT: mm SCALE: NONE REV.: C	
		Tolerance X. ±0.50 X.X ±0.30 X.XX ±0.10 X° ±1°	