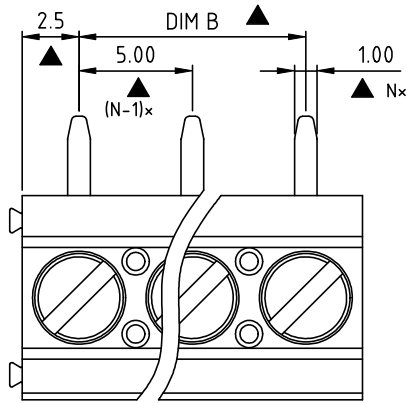


RoHS Compliant

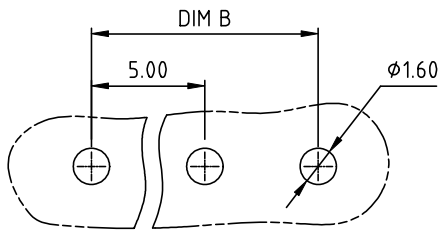
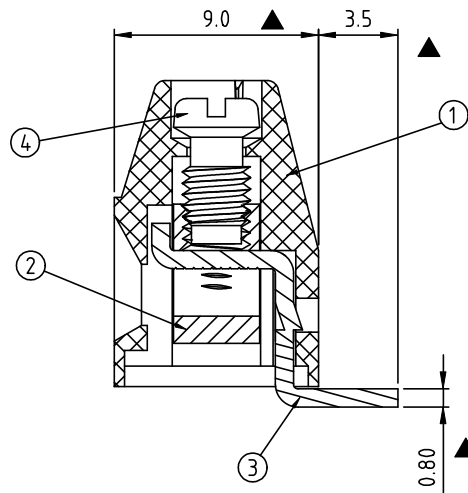
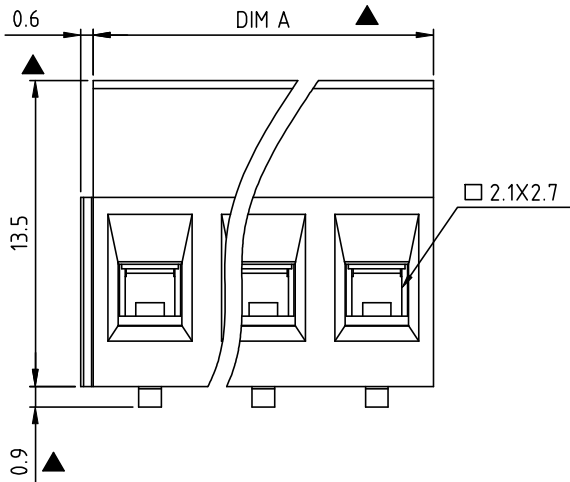


DIMENSION

DIM A	NX5.0
DIM B	(N-1)X5.0

N=Number of poles

Poles	Tolerance
2p-6p	±0.15
7p-12p	±0.25
13p-18p	±0.35
19p-24p	±0.40



P.C.B LAYOUT

SIGN	DATE	DESCRIPTION	APPROVER
△	8/07'06	Added FIMKO standard	梁仁松
△	01/18'07	Soldering temperature changed from 245° to 250°	Tason
△	01/18'07	Part NO is Changed	Tason
△	04/27'18	Delete the FI mark, Update the drawing	Guoxue

THIS IS CAD DRAWING, DO NOT REVISE MANUALLY!!!

Material:

- Item ① Terminal housing :Thermoplastic (UL 94V-0)
- Item ② Clamp : Brass ,Ni plated
- Item ③ Wire guard solder pin : Brass ,Tin plated
- Item ④ Terminal screw: Steel Zinc plating"-slot type

△ △ Electrical cULus

- Voltage rating: 300VAC
- Current rating: 16A
- Wire range:
- Solid wire(AWG): 12-28
- Stranded wire(AWG): 12-28
- Torque: 3.5Lb-In.
- Screw: M3
- Wire strip length: 6-7mm
- Withstanding Voltage: 1.6KV
- Operating temperature: -40°C to +115°C
- Soldering temperature: 260°C±5°C/5 Sec
- Safety Approval:
- Critical dimension: ▲

△ VI xx 01 x 0 xxxx G

No. of poles	0 Black (RAL9005)	Pb < 40,000ppm (RoHS)
end stackable design	2 Red (RAL3001/D)	0000:"@ "Logo (Standard )
02 2 POLES	3 Orange(RAL2011/P)	000A:"ANYTEK"Logo
03 3 POLES	4 Yellow(RAL1018/A)	Any special item by customer request,
... ..	5 Green(RAL6018/T)	please contact sales department.
24 24 POLES	6 Blue (RAL5015/A)	
	8 Grey(RAL7035/D)	
	C Green(RAL6018/U)	

**Amphenol**  
**ANYTEK**

**CUSTOMER COPY**

ALL RIGHTS RESERVED. REPRODUCTION OR ISSUE TO THIRD PARTIES IN ANY FORM WHATSOEVER IS NOT PERMITTED WITHOUT WRITTEN AUTHORITY FROM THE PROPRIETOR. PROPERTY OF ANYTEK TECHNOLOGY CO., LTD

TITLE		VI 5.0 SERIES 90° wire inlet			
PART NO.		VIxx01x0xxxxG		DWG NO. 8VI0002	
APPROVED	CHECKED	DESIGNED	DRAWN	CUST NO.	
		Guoxue 2018.04.27	Guoxue 2018.04.27		
				Tolerance	
				X. ±0.50	
				X.X ±0.30	
				X.XX ±0.10	
				X° ±1°	
				UNIT: mm	
				SCALE: NONE	
				SHEET: 01/01	
				REV: G	