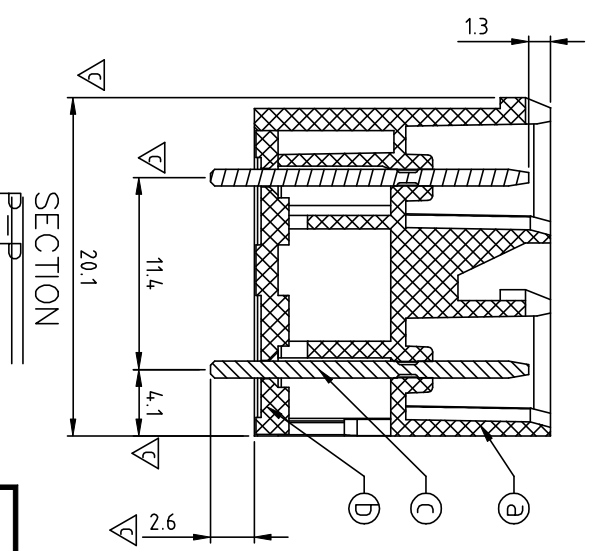
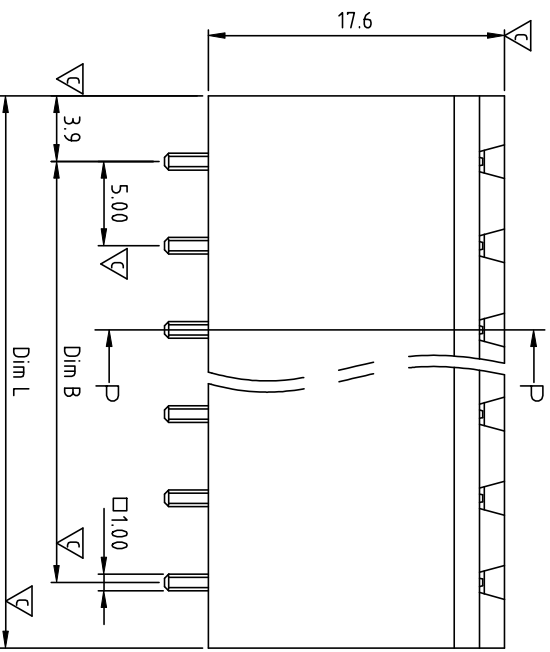
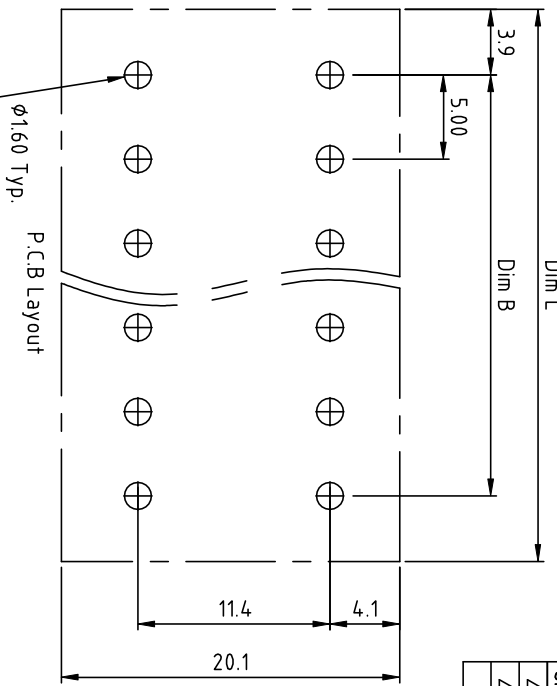
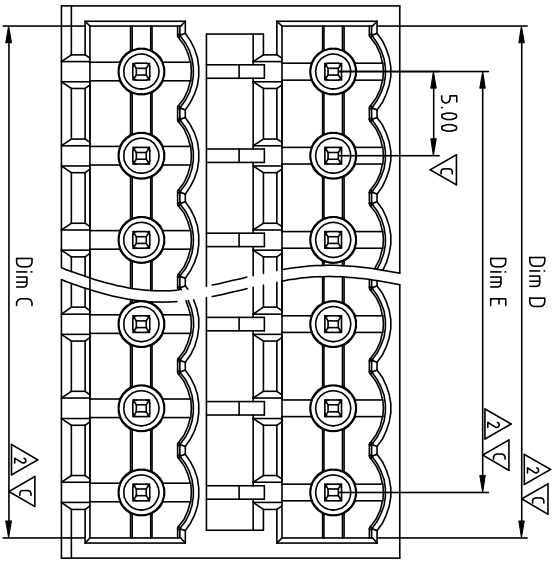


SIGN	DATE	DESCRIPTION	APPROVER
△	04/06'12	Add is cULus	Chen Bo
△	04/06'12	The Dimension C & D & E are added	Chen Bo

THIS IS CAD DRAWING, DO NOT REVISE MANUALLY!!!



Poles	Dim L	Dim B	Dim C	Dim D	Dim E
2x2P-2x6P	±0.15	±0.15	+0.05 -0.05	+0.05 -0.05	±0.15
2x7P-2x12P	±0.25	±0.25	+0.10 -0.05	+0.10 -0.05	±0.25
2x13P-2x18P	±0.35	±0.35	+0.20 -0.05	+0.20 -0.05	±0.35
2x19P-2x24P	±0.40	±0.40	+0.25 -0.10	+0.25 -0.10	±0.40

N = Number of poles
 Dim L=Nx5.0+2.8
 Dim B=(N-1)x5.0
 Dim C=(N-1)x5.0+5.4
 Dim D=(N-1)x5.0+5.4
 Dim E=(N-1)x5.0

- Material:**
- Item a Terminal(housing): Thermoplastic (UL94V-0)
 - Item b Terminal(cover): Thermoplastic (UL94V-0)
 - Item c Male contact pin : Copper Tin plated
- Electrical:**
- Voltage rating: 300V
 - Current rating: 12A
 - Withstanding Voltage: 16KV
 - Operating temperature: -40°C to +115°C
 - Soldering temperature: 250°C±10°C/5 Sec
 - Safety Approva: **SA**us
 - Critical dimension:

KE XX 7 1 X 2 XXXX G

No. OF POLES _____

04: 2x2 POLES
 06: 2x3 POLES
 :
 48: 2x24 POLES

COLOR _____

0 Black (RAL 9005)
 2 Red (RAL 3001/D)
 3 Orange(RAL 2011/P)
 4 Yellow(RAL 1018/A)
 5 Green(RAL 6018/T)
 6 Blue (RAL 5015/A)
 8 Grey/(RAL 7035/D)
 9 White(RAL 1102)
 C Green(RAL 6018/U)

RohS compliant (lead<4%)
 In copper Alloy
 000A: "@ Logo (Standard)
 Any special item by customer request please contact sales department.

ANYTEK

CUSTOMER COPY

ALL RIGHTS RESERVED. REPRODUCTION OR ISSUE TO THIRD PARTIES IN ANY FORM WHATSOEVER IS NOT PERMITTED WITHOUT WRITTEN AUTHORITY FROM THE PROPRIETOR. PROPERTY OF ANYTEK TECHNOLOGY CO., LTD

TITLE		KE 5.0mm Close Series 2x2P-2x24P (Vertical) (DIP type)		DWG NO.	8KE0102	
PART NO.	KExxx71x2xxxxxg	CHECKED	DESIGNED	DRAWN	CUST NO.	
APPROVED		Chen Bo	04/06'12	Chen Bo	04/06'12	
				SHEET: 01/01	REV: C	
			UNIT: mm	Tolerance		
			SCALE: NONE	X.X	±0.50	
				X.XX	±0.30	
				X.XX	±0.10	
				X ^o	±1°	