

6

5

4

3

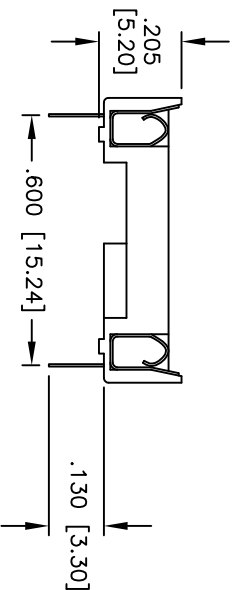
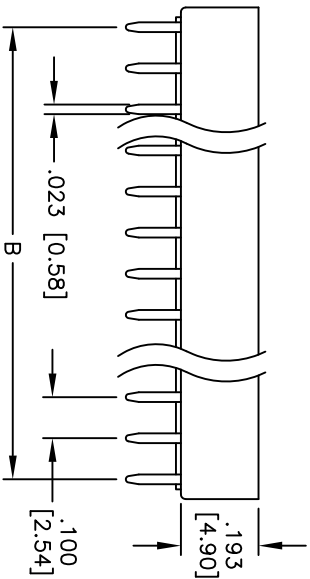
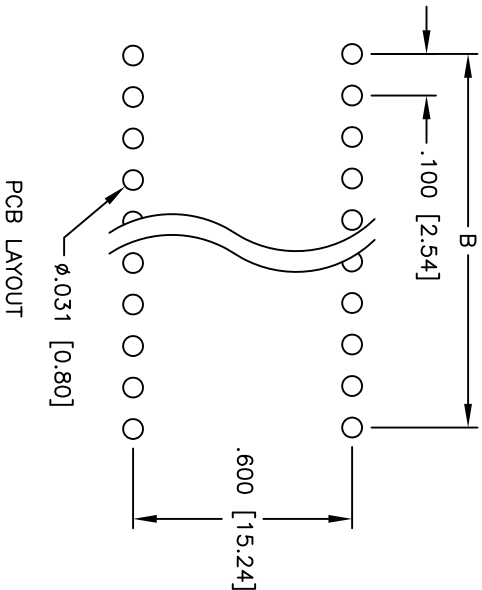
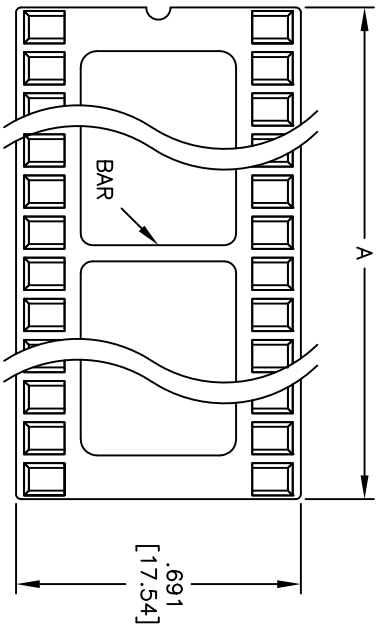
2

1

APPROVED: _____

DATE: _____ TITLE: _____

Rev	AWO #	Description	Date	Appr
-		RELEASED	3/29/05	
A		UPDATED	12/10/07	
B		ADDED CENTER BAR	3/9/10	



SPECIFICATIONS:

Material:

Insulator: PBT, Glass reinforced, rated UL 94V-0

Insulator color: Black

Contacts: Phosphor Bronze

Plating:

Tin over Copper underplate overall

Electrical:

Operating voltage: 250 VAC max

Current rating: 1 Amp max

Contact resistance: 20 mohms max initial

Insulation resistance: 5,000 Mohms min

Dielectric withstanding voltage: 1,000 VAC for 1 minute

Temperature Rating:

Operating temperature: -55°C to +105°C

Environmental:

Lead free, RoHS compliant

Positions: 20, 24, 26, 28, 32, 40, 42, & 48
 A = .100 [2.54] x No. of Positions Per Row
 B = .100 [2.54] x No. of Spaces Per Row

UNLESS OTHERWISE SPECIFIED
 ALL DIMENSIONS ARE INCHES [MM]
 TOLERANCES: EXCEPT AS NOTED
 INCHES HOLE SIZE
 .X ± .10 ØXX ± .10
 .XX ± .020 ØXXX ± .015
 .XXX ± .015 ØXXXX ± .010

ADAM TECH
 909 Rahway Avenue, Union, NJ 07083
 Phone: 908-687-5000 Fax: 908-687-5710

TITLE: IC SOCKET, .600" ROW SPACING
 TIN PLATED

DRAWN	SS	3/29/05	SIZE	PART NO.	ICS-6XX-T	REV.	B
CHECKED			X				
APPROVED			REF:	SCALE:	NIS	SHEET	1 OF 1



A

B

C

D

A

B

C

D

6

5

4

3

2

1