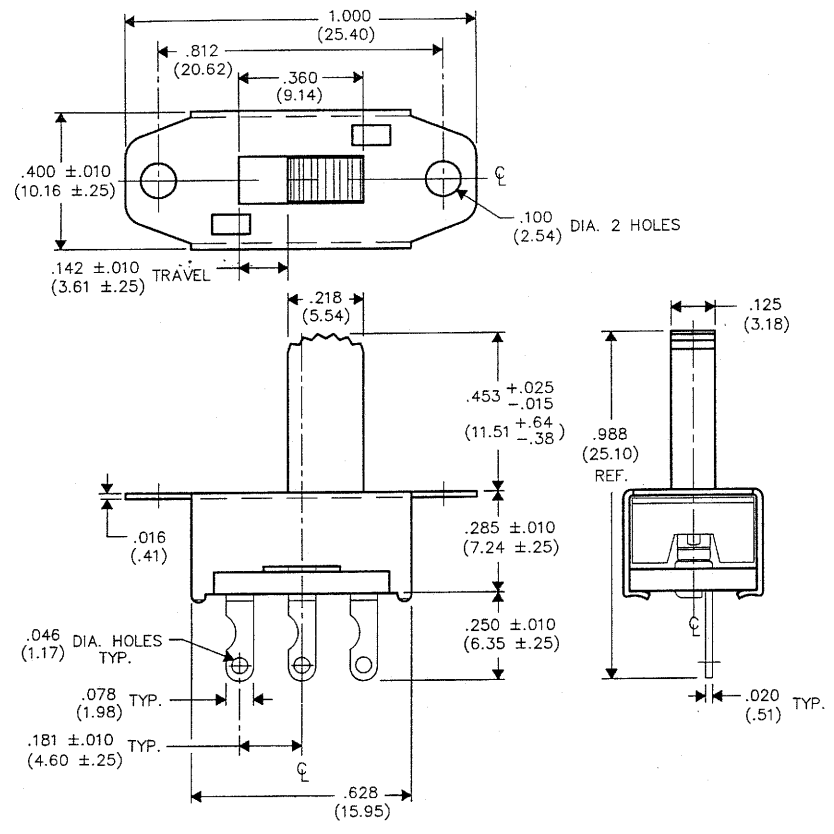


DIMENSIONS IN INCHES (MILLIMETERS)  
DO NOT SCALE DRAWING .....

Dwg. No.  
**GF-124-0204**



E  
D  
C  
B  
A

1 2 3 4 5 6 7 8 9 10

B-FORMAT 2002  
**REVISIONS**  
O  
RELEASED 11-01-2005  
DGW  
NOV 28 2005

**CW INDUSTRIES**  
Southampton, Pa. 18966

TOLERANCES UNLESS OTHERWISE SPECIFIED	
2 Place Decimal ±.010	METRIC
3 Place Decimal ±.005	1 Place Dec. ±.25mm
Angles ..... ±1°	2 Place Dec. ±.13mm

Made for: CW IND.  
Drawn by: DGW 11-01-2005  
Checked by: G. Guld 11-22-05  
Approval: *[Signature]* 11-28-05

Title: **MINI-SLIDE SWITCH S.P./D.T. STAGGERED TERMINALS**

Division: **SWITCH**

Dwg. No. **GF-124-0204**