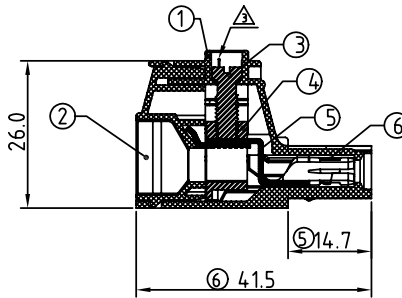
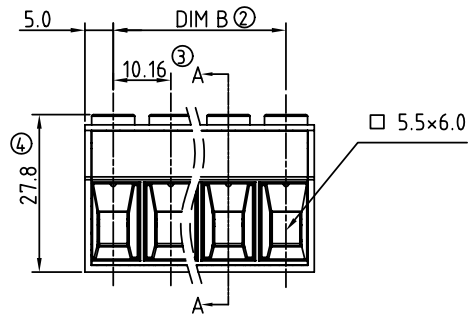
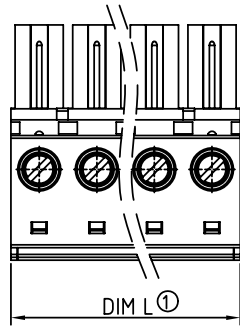


| SIGN | DATE | DESCRIPTION | APPROVER |
|------|------------|---|----------|
| △ | 04/08'09 | The Voltage rating, Screw and operating temperature are changed | Jacke |
| △ | 04/08'09 | Add UL standard | Jacke |
| △ | 2009.10.23 | The design is changed | Jacke |
| △ | 2010.02.04 | The material is changed from Brass to Copper | Jacke |

THIS IS CAD DRAWING, DO NOT REVISE MANUALLY!!!



SECTION A-A

- Material**
- Item a Terminal body: Thermoplastic (UL94V-0)
 - Item b Terminal cover: Thermoplastic (UL94V-0)
 - Item c Terminal screw :Steel Cr3+ Zinc plating "--" slot type
 - Item d Clamp: Brass, Ni plated
 - △ ● Item e Femal contact pin: Copper Tin plated
 - Item f Wire guard :Stainless Steel

- Electrical cULus / IEC**
- △ ● Voltage rating: 300VAC / 1000VAC
 - Current rating: 55A / 76A
 - Solid wire (AWG): 6-20 / 0.5-16mm²
 - Stranded wire(AWG): 6-20 / 0.5-16mm²
 - Torque: 10.4 Lb-In / 1.2 N.m
 - △ ● Screw: M4.5
 - Wire strip length: 13-14mm
 - Withstanding Voltage: 1.6KV / 8KV
 - △ ● Operating temperature: -40°C to +115°C
 - △ ● Safety Approval: us

PART NO.

EV xx 61 x 0 xxxx G

| | | |
|--|---|--|
| <p>Poles</p> <p>02 2Contacts</p> <p>03 3Contacts</p> <p>.....</p> <p>12 12Contacts</p> | <p>Color</p> <p>0 Black (RAL9005)</p> <p>2 Red (RAL3001/D)</p> <p>3 Orange(RAL2011/P)</p> <p>4 Yellow(RAL1018/A)</p> <p>5 Green(RAL6018/T)</p> <p>6 Blue (RAL5015/A)</p> <p>8 Grey(RAL7035/D)</p> | <p>RoHS</p> <p>Pb<40,000ppm</p> <p>0000 Standard @ Logo</p> <p>000A Standard ANY Logo</p> <p>Any special item by customer request, please contact sales department.</p> |
|--|---|--|

| Poles | 02 | 03 | 04 | 05 | 06 | 07 | 08 | 09 | 10 | 11 | 12 |
|-------|-------|-------|-------|-------|-------|-------|-------|-------|--------|--------|--------|
| Dim L | 20.16 | 30.32 | 40.48 | 50.64 | 60.80 | 70.96 | 81.12 | 91.28 | 101.44 | 111.60 | 121.76 |
| Dim B | 10.16 | 20.32 | 30.48 | 40.64 | 50.80 | 60.96 | 71.12 | 81.28 | 91.44 | 101.60 | 111.76 |
| TOL | ±0.25 | | | | | | ±0.35 | | | | |

| | | | | | | | |
|---|--|------------------------|------------|----------------------|----------|-------------|------------|
| <h1>ANYTEK</h1> | | | | CUSTOMER COPY | | | |
| ALL RIGHTS RESERVED. REPRODUCTION OR ISSUE TO THIRD PARTIES IN ANY FORM WHATSOEVER IS NOT PERMITTED WITHOUT WRITTEN AUTHORITY FROM THE PROPRIETOR. PROPERTY OF ANYTEK TECHNOLOGY CO., LTD | | | | | | | |
| TITLE | | EV 10.16 Series 2p-12p | | | | | |
| PART NO. | | EVxx61x0xxxxG | | | DWG NO. | | 8EV0001 |
| APPROVED | | CHECKED | DESIGNED | DRAWN | CUST NO. | | Tolerance |
| | | | Jacke | Jacke | | | X. ±0.50 |
| | | | 2010.02.04 | 2010.02.04 | | | X.X ±0.30 |
| | | | | | | UNIT: mm | X.XX ±0.10 |
| | | | | SHEET: 01/01 | | SCALE: NONE | X° ±1° |
| | | | | | | REV.: E | |