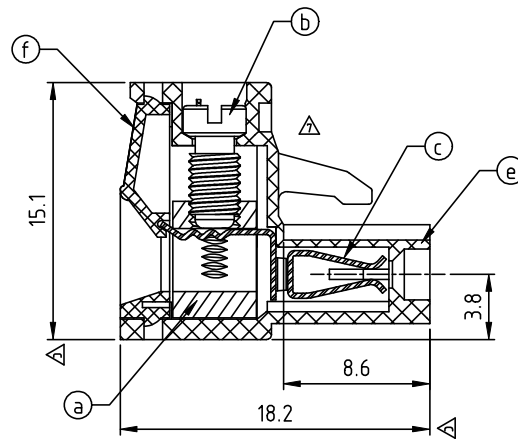


TJ xx 71x 2 xxxx G

| | | |
|--------------|---------------------|--|
| No. OF POLES | COLOR | |
| 02: 2 POLES | 0 Black (RAL9005) | |
| 03: 3 POLES | 2 Red (RAL3001/D) | |
| : | 3 Orange(RAL2011/P) | |
| 24: 24 POLES | 4 Yellow(RAL1018/A) | |
| | 5 Green(RAL6018/T) | |
| | 6 Blue (RAL5015/A) | |
| | 8 Grey(RAL7035/D) | |
| | 9 White(RAL1102) | |
| | C Green(RAL6018/U) | |

RoHS compliant (lead<4%)
In copper Alloy

000 0 Standard @ Logo
000 A Standard ANY Logo
Any special item by customer request, please contact sales department.



| SIGN | DATE | DESCRIPTION | APPROVER |
|------|------------|---|----------|
| △ | 02/03'05 | Part No. changed. | Marvin |
| △ | 06/26'06 | Solid/Stranded wire(AWG) is changed from 12-22 to 12-24 | Marvin |
| △ | 8/10'06 | Added VDE and TUV standard | 梁仁松 |
| △ | 12/15'08 | Flange screw changed from "-"solt type to "+/-"solt type | Kind |
| △ | 12/15'08 | Operating Temp. changed from -30°C~+105°C to -40°C~+115°C | Kind |
| △ | 2010.03.08 | Add the 2P mark | Jacke |
| △ | 12/08-14 | Update the drawing | Evan |

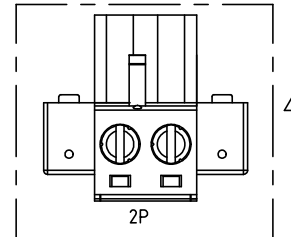
THIS IS CAD DRAWING, DO NOT REVISE MANUALLY!!!

Material

- Item a Clamp: Brass(CuZn) Ni plated
- Item b Terminal screw: Steel Zinc plating "-" slot type
- Item c Female contact: PhBz ,Tin plated
- △● Item d With flange screw:Steel Zinc plating M2.5"+/-" slot type
- Item e Terminal (housing): Thermoplastic (UL94V-0)
- Item f Terminal (cover): Thermoplastic (UL94V-0)

△ Electrical cULus/VDE/TUV

- Voltage rating: 300VAC/300VAC/300VAC
- Current rating: 20A/20A/20A
- Wire range: 2.5mm²/0.34-2.5mm²
- △● Solid wire(AWG): 12-24
- △● Stranded wire(AWG): 12-24
- Torque: 5Lb-In/0.5Nm/0.56Nm
- Screw: M3
- Wire strip length: 7-8mm
- Withstanding Voltage: 1.6KV/2.5KV/2.5KV
- △● Operating temperature: -40°C to +115°C
- Safety Approval:
- Critical dimension: ▽



Dim.L = N x 5.0
Dim.B = (N-1) x 5.0
N= number of poles

| poles Dim. | 2P-6P | 7P-12P | 13P-18P | 19P-24P |
|---------------|-------|--------|---------|---------|
| Dim.L | ±0.10 | ±0.20 | ±0.30 | ±0.40 |
| Dim.B | ±0.10 | ±0.20 | ±0.25 | ±0.30 |

| ANYTEK | | | | CUSTOMER COPY | | |
|---|------------------------------|--------------------|--------------------|---------------|------------|--|
| ALL RIGHTS RESERVED. REPRODUCTION OR ISSUE TO THIRD PARTIES IN ANY FORM WHATSOEVER IS NOT PERMITTED WITHOUT WRITTEN AUTHORITY FROM THE PROPRIETOR. PROPERTY OF ANYTEK TECHNOLOGY CO., LTD | | | | | | |
| TITLE | TJ-5.00mm Series With flange | | | DWG NO. | 8TJ0302 | |
| PART NO. | TJxx71x2xxxxG | | | CUST NO. | | |
| APPROVED | CHECKED | DESIGNED | DRAWN | Tolerance | | |
| | | Evan 2014.12.08 | Evan 2014.12.08 | X. ±0.50 | | |
| | | | | UNIT: | mm | |
| | | | | SCALE: | NONE | |
| SHEET: 01/01 | | | | REV.: | H | |
| | | | | | X.X ±0.30 | |
| | | | | | X.XX ±0.10 | |
| | | | | | X° ±1° | |