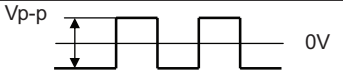


MODEL: CPT-14146-80T | **DESCRIPTION:** PIEZO BUZZER TRANSDUCER**FEATURES**

- 30 Vp-p max operating voltage
- 80 dB

**SPECIFICATIONS**

| parameter | conditions/description | min | typ | max | units |
|---------------------------|--|-------|-------|--------|-------|
| rated voltage | Vp-p  | | 10 | | Vp-p |
| operating voltage | | | | 30 | Vp-p |
| current consumption | at 10 Vp-p, 4,000 Hz, ½ duty square wave | | | 7 | mA |
| rated frequency | | | 4,000 | | Hz |
| sound pressure level | at 10 cm, 10 Vp-p, 4,000 Hz, square wave | 80 | | | dB |
| electrostatic capacitance | at 120 Hz / 1 V | 5,950 | 8,500 | 11,050 | pF |
| dimensions | Ø14 x 6.7 | | | | mm |
| weight | | | | 1.0 | g |
| material | PBT+10% GF | | | | |
| terminal | pin (gold plating) | | | | |
| operating temperature | | -30 | | 85 | °C |
| storage temperature | | -40 | | 90 | °C |
| washable | no | | | | |
| RoHS | yes | | | | |

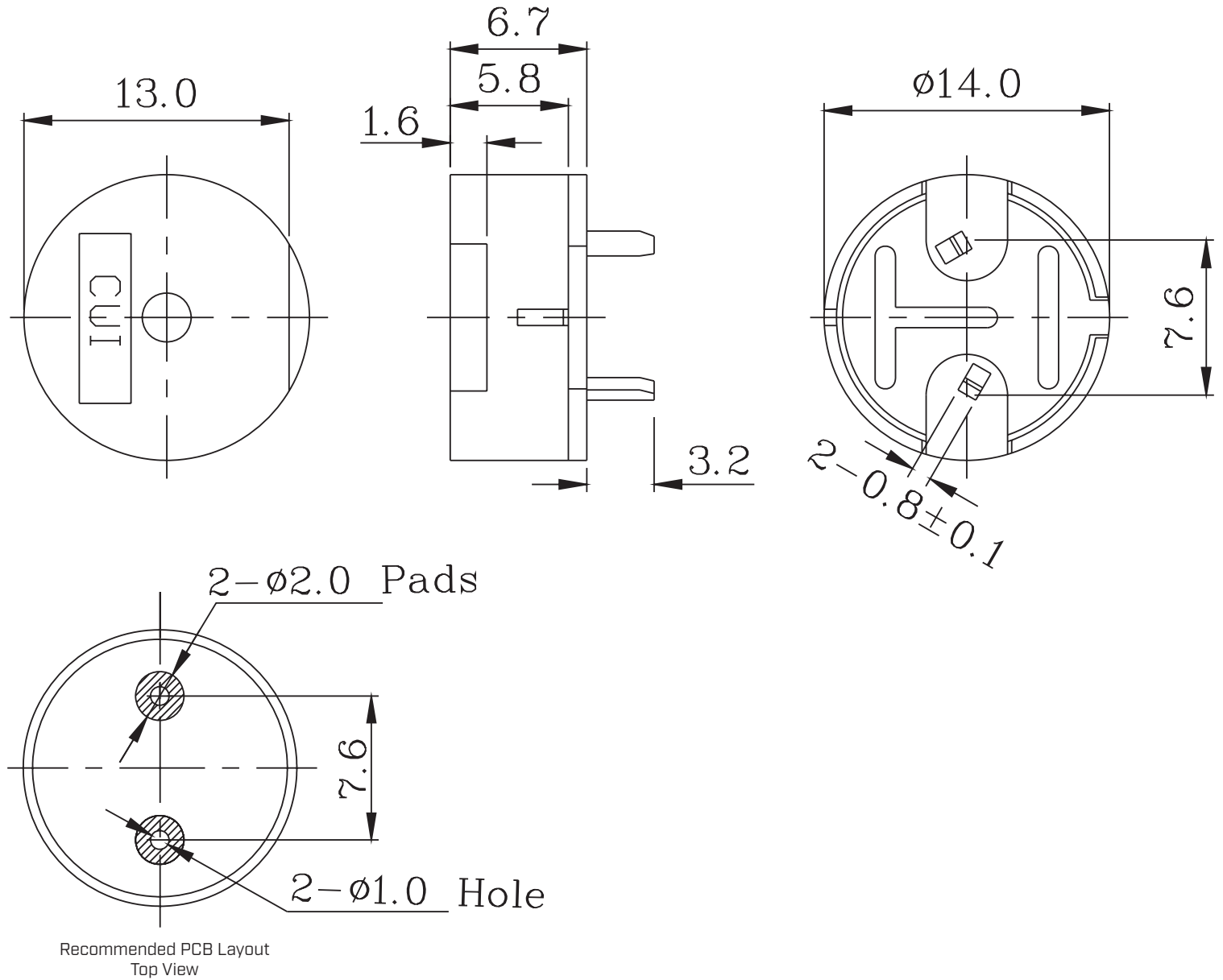
Notes: 1. All specifications measured at 5-35°C, humidity at 45-85%, under 86-106 kPa pressure, unless otherwise noted.

SOLDERABILITY

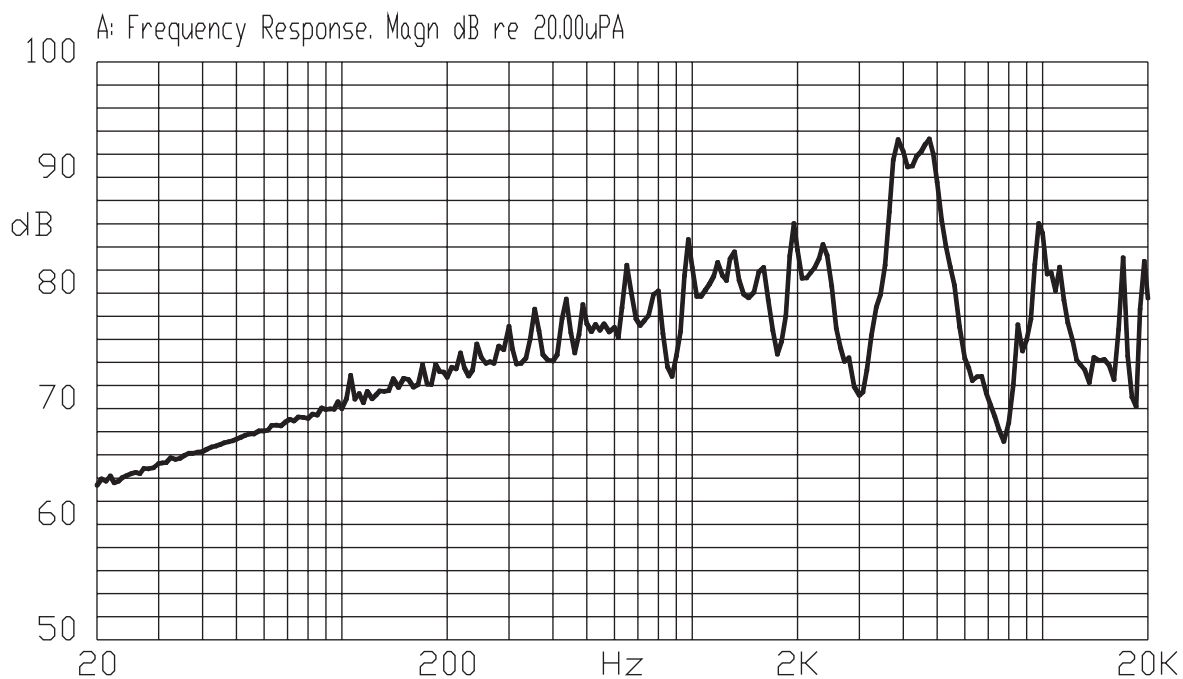
| parameter | conditions/description | min | typ | max | units |
|----------------|------------------------|-----|-----|-----|-------|
| hand soldering | for 2 seconds | 330 | | 380 | °C |

MECHANICAL DRAWING

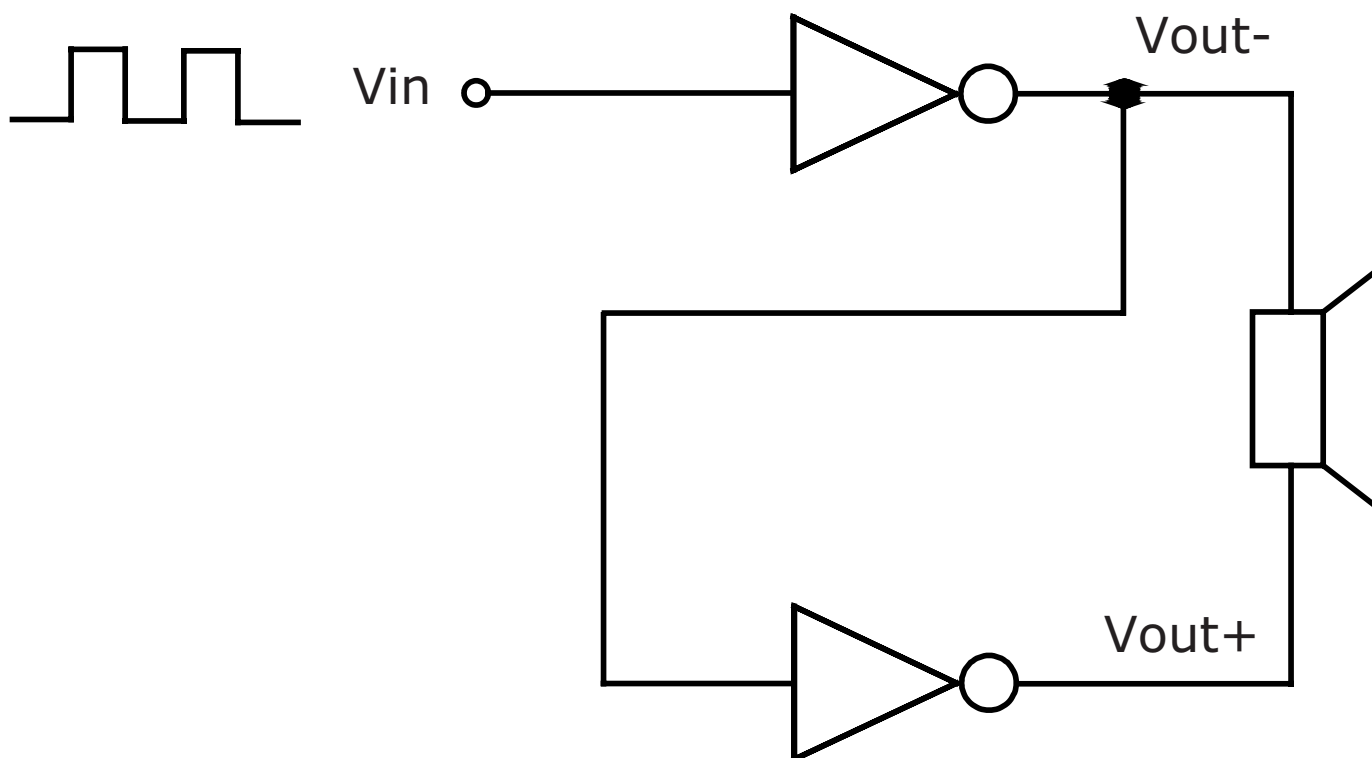
units: mm
tolerance: ±0.5 mm



FREQUENCY RESPONSE CURVE



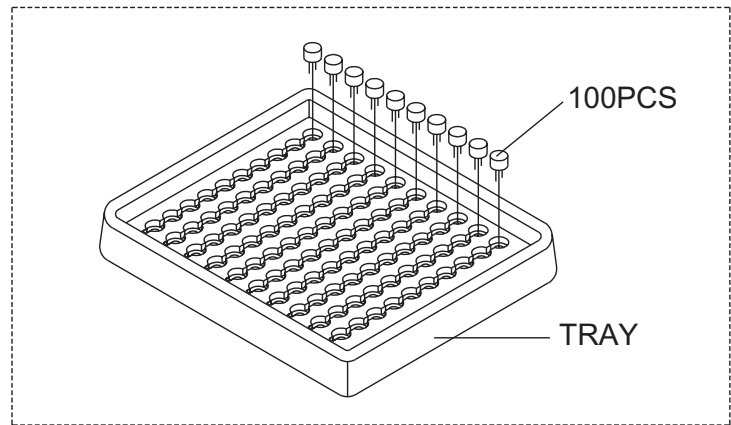
APPLICATION CIRCUIT



PACKAGING

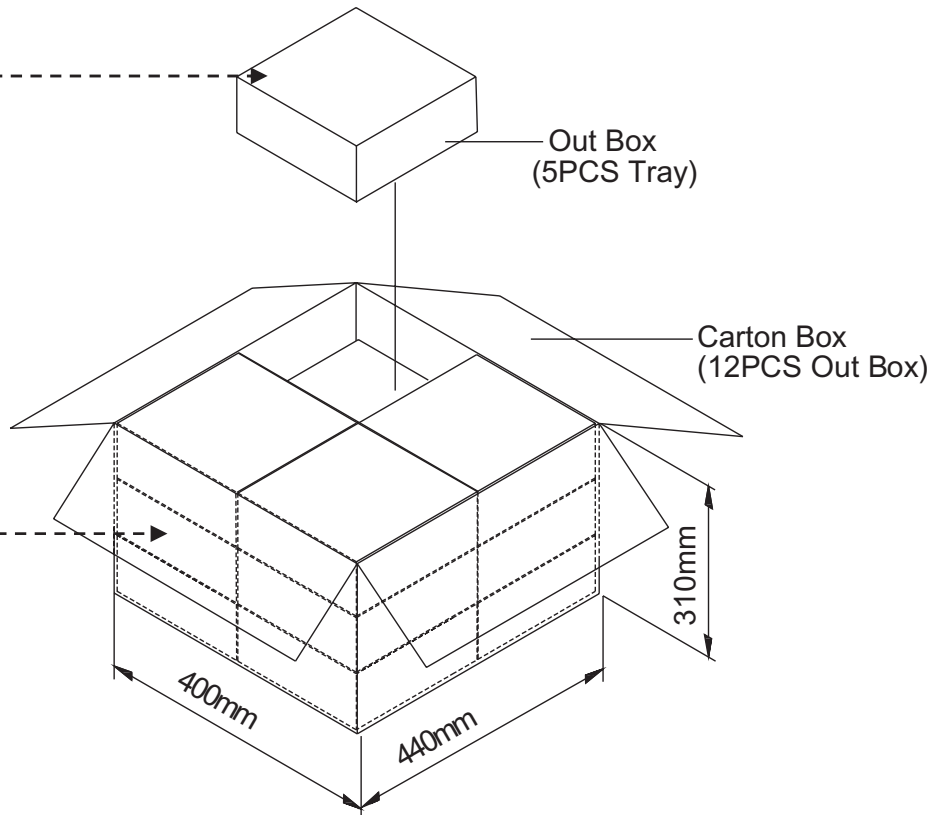
units: mm

Tray Size: 184 x 180 x 23 mm
 Carton Size: 440 x 400 x 310 mm
 Tray QTY: 100 pcs per tray
 Carton QTY: 6,000 pcs per carton



| | |
|---------------|--------------------------|
| Lot No. | XXXXXXXXXX |
| Part No. | XXXXXXXXXX XXXXXXXXXX |
| Quantity. | XXXX Pcs |
| Date: | DD MM YY |
| MADE IN CHINA | |
| CUI DEVICES | |

RoHs Compliant



REVISION HISTORY

| rev. | description | date |
|------|------------------------------|------------|
| 1.0 | initial release | 07/07/2021 |
| 1.01 | logo, datasheet style update | 08/05/2022 |

The revision history provided is for informational purposes only and is believed to be accurate.



CUI Devices offers a one (1) year limited warranty. Complete warranty information is listed on our website.

CUI Devices reserves the right to make changes to the product at any time without notice. Information provided by CUI Devices is believed to be accurate and reliable. However, no responsibility is assumed by CUI Devices for its use, nor for any infringements of patents or other rights of third parties which may result from its use.

CUI Devices products are not authorized or warranted for use as critical components in equipment that requires an extremely high level of reliability. A critical component is any component of a life support device or system whose failure to perform can be reasonably expected to cause the failure of the life support device or system, or to affect its safety or effectiveness.

cuidevices.com