

CF-LA

High In-Rush Rocker Switches

Simple Dustproof

UL

C-US UL

ENEC

RoHS Compliant



Features

1. High in-rush rocker switch
2. Rush Solder Terminals
3. Five types of terminal (Solder, Tab, PC Straight, R/A and L/A)
4. Simple dustproof structure (IP40 rating)
5. C-US UL, UL (TV-8) and ENEC approved products.

Specifications

| | | |
|-------------------------------|-----------------|---|
| Rating | Max. | 16A125VAC or 16A250VAC (Resistive load) |
| | Min. | 5VAC / DC 10mA |
| Initial contact resistance | 20mΩ max. | |
| Initial Dielectric strength | 1500VAC 1minute | |
| Initial insulation resistance | 100MΩ min. | |
| Operating force | 1~8N | |
| Electrical life | 20,000 cycles | |
| Operating temperature range | -25~+85°C | |
| Storage temperature range | -40~+85°C | |

Approvals

C-US UL、UL : E43275
ENEC : 1312466

Part Numbering

CF-LA — **2** **K** **Z2** — **1** **C**

Series code Number of poles Switching function Terminal style Roker design Packaging spec

| Fig. | Number of poles |
|------|-----------------|
| 1 | 1 pole |
| 2 | 2 poles |

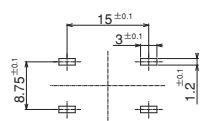
| Code | Switching function |
|------|--------------------|
| A | ON — OFF |
| K | ON — OFF |

| Code | Terminal style |
|------|------------------|
| C | PC Straight |
| C4 | PC-R/A |
| C5 | PC-L/A |
| L | Solder Terminals |
| Z2 | TAB:#250 |

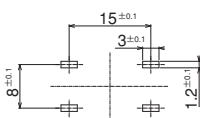
| Fig. | Roker design | Fig. | Roker design |
|------|--------------|------|--------------|
| 1 | Unfigured | — | |
| 2 | ● | 5 | — ○ |
| 3 | ○ | — | |

| Code | Packaging spec |
|-------|-----------------|
| Blank | Plastic bags |
| C | Card board Tray |

PC Hole Layouts

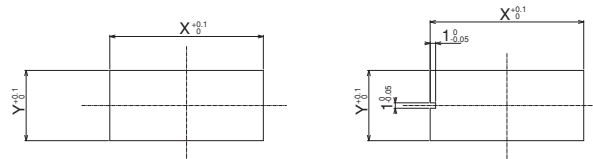


PC

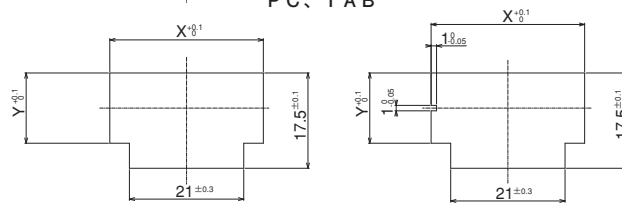


R/A、L/A

Panel Cut-Out Dimensions



PC、TAB



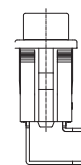
R/A、L/A

R/A

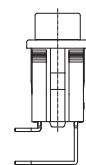
| Panel thickness | X | Y |
|-----------------|------|------|
| 0.75~1.25 | 28.2 | 12.9 |
| 1.25以上~2 | 28.4 | 12.9 |
| 2~3 | 28.8 | 12.9 |

Terminal Styles

| Solder Terminals (Style:L) | TAB#250 (Style:Z2) | PC Straight (Style:C) | R/A (Style:C4) L/A (Style:C5) |
|----------------------------|--------------------|-----------------------|-------------------------------|
| | | | |



R/A

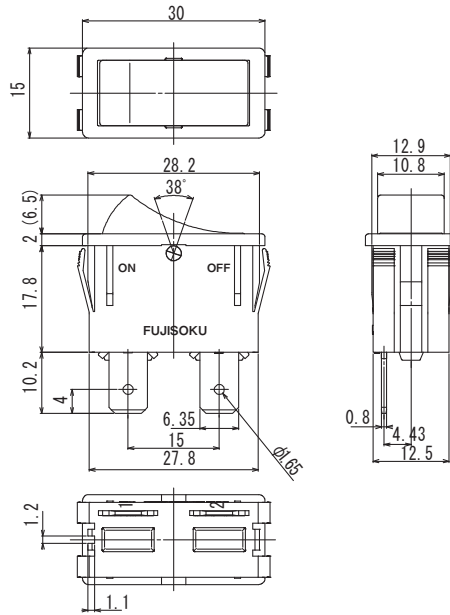


L/A

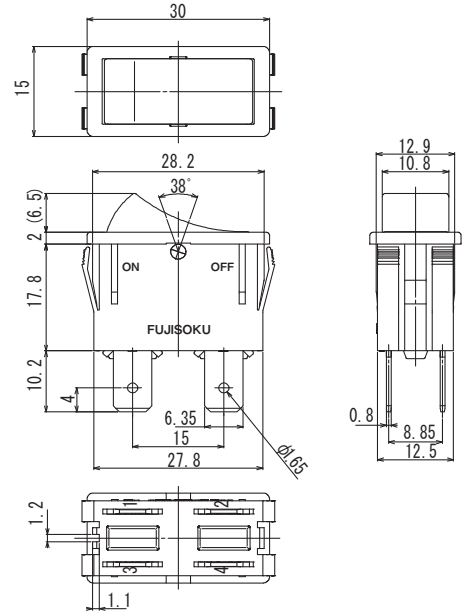
※For the L/A terminal, only two poles are available.

Outline dimensions

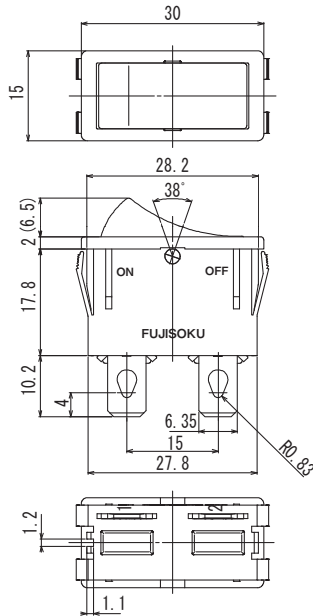
● Tab:#250 1Pole



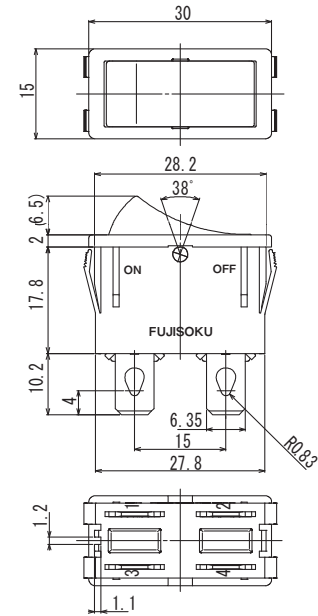
● Tab:#250 2Poles



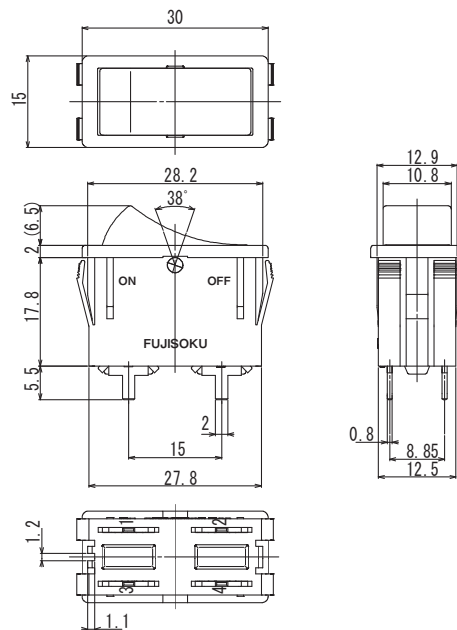
● Solder 1Pole



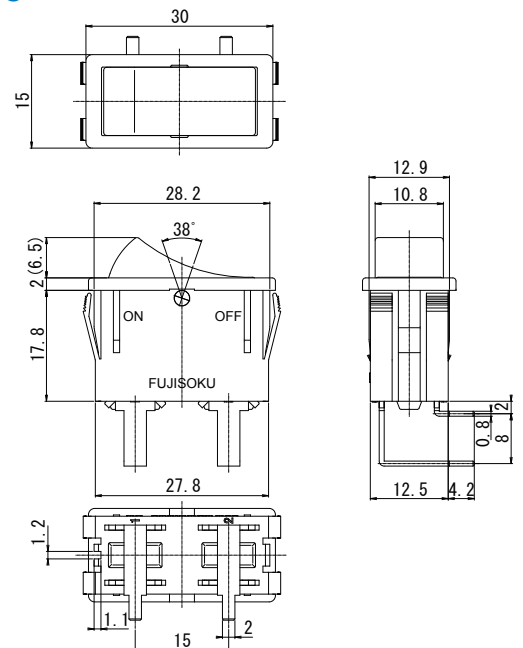
● Solder 2Poles



● P/C 1and2Poles



● PC-L/A 2Poles



List part numbers

| Number of poles | Switching function | Terminal style | Rocker design | | | Pieces in package | Packaging spec |
|-----------------|--------------------|------------------|---------------|--------------|---------------|-------------------|-----------------|
| | | | No marking | ● | ○ | | |
| 1 Pole | ON-OFF | PC-R/A | — | — | CF-LA-1AC4-3C | 100pcs./pack | Card board Tray |
| | | Solder Terminals | CF-LA-1AL-1C | CF-LA-1AL-2C | — | | |
| | | Tab:#250 | CF-LA-1AZ2-1C | — | CF-LA-1AZ2-3C | | |
| 2 Poles | ON-OFF | PC Straight | — | — | CF-LA-2KC-3C | | |
| | | PC-L/A | — | — | CF-LA-2KC5-3C | | |
| | | Solder Terminals | CF-LA-2KL-1C | — | — | | |
| | | Tab:#250 | CF-LA-2KZ2-1C | — | CF-LA-2KZ2-3C | | |
| 1 Pole | ON-OFF | PC-R/A | — | — | CF-LA-1AC4-3 | 5pcs./pack | Plastic bags |
| | | Solder Terminals | CF-LA-1AL-1 | CF-LA-1AL-2 | CF-LA-1AL-3 | | |
| | | Tab:#250 | CF-LA-1AZ2-1 | — | CF-LA-1AZ2-3 | | |
| 2 Poles | ON-OFF | Tab:#250 | — | CF-LA-2KZ2-2 | CF-LA-2KZ2-3 | | |

| Number of poles | Switching function | Terminal style | Rocker design | | | Pieces in package | Packaging spec |
|-----------------|--------------------|----------------|---------------|---------------|---|-------------------|-----------------|
| | | | — | - ○ | — | | |
| 2 Poles | ON-OFF | Tab:#250 | — | CF-LA-2KZ2-5C | — | 100pcs./pack | Card board Tray |
| 2 Poles | ON-OFF | PC Straight | — | CF-LA-2KC-5 | — | 5pcs./pack | Plastic bags |
| | | Tab:#250 | — | CF-LA-2KZ2-5 | — | | |

Soldering Specifications

(1) Auto Soldering

Device : Jet wave type or dip type
260°C ; 5-6 seconds, Max.

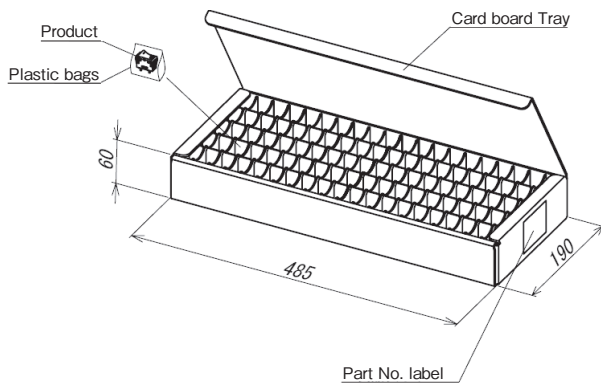
- Pre-heating should be done at temperatures ranging from 80°C to 150°C and within 2 or 3 minutes
The auto soldering is applicable to the PC terminals only.

(2) Manual Soldering

Device : Soldering iron
380°C, Max.; 3 seconds, Max.

Packing Specification

Card board Tray(100pcs. / pack)



Plastic bags (5pcs. / pack)

[Product packaging box]

