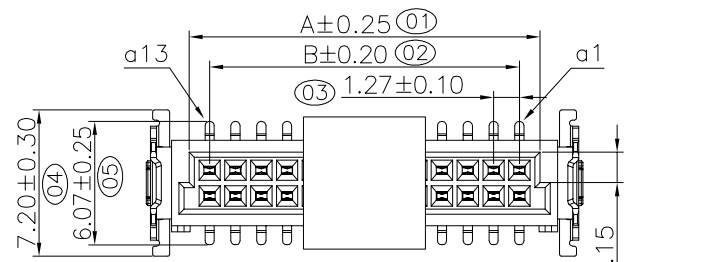


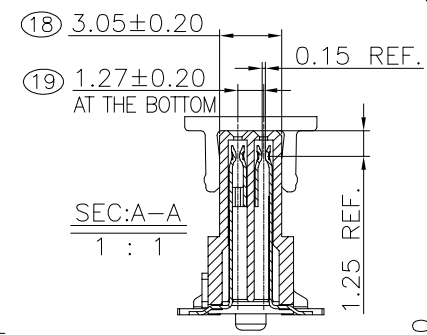
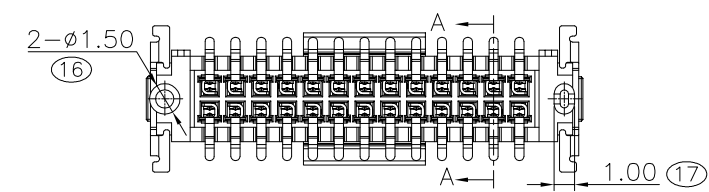
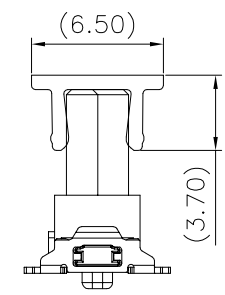
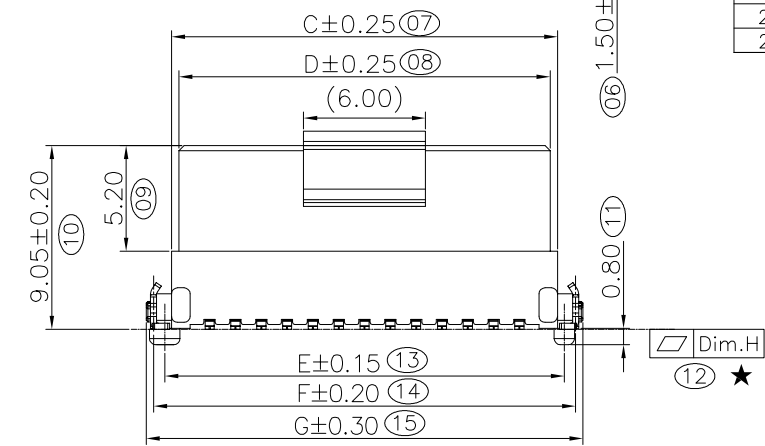
1 2 3 4 5 6 7 8 9

REV.	LOCAS.	DESCRIPTION	DATE	DRAWN
A	NEW	INTERIM INITIAL RELEASE.	2021.09.23	羅孝亮

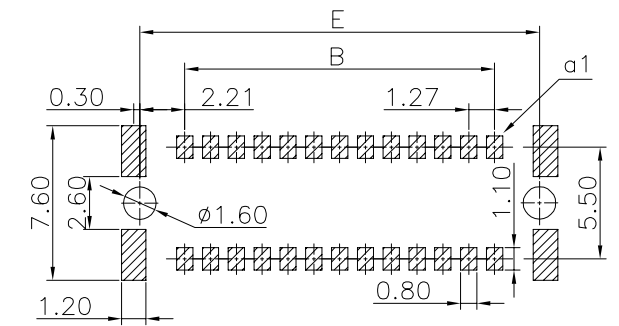


No. of PIN/ROW	Dimension Information						
	A	B	C	D	E	F	G
2x06	8.37	6.35	10.10	9.37	10.77	11.87	12.60
2x08	10.91	8.89	12.64	11.91	13.31	14.41	15.14
2x10	13.45	11.43	15.18	14.45	15.85	16.95	17.68
2x13	17.26	15.24	18.99	18.26	19.66	20.76	21.49
2x16	21.07	19.05	22.80	22.07	23.47	24.57	25.30
2x20	26.15	24.13	27.88	27.15	28.55	29.65	30.38
2x25	32.50	30.48	34.23	33.50	34.90	36.00	36.73
2x34	43.93	41.91	45.66	44.93	46.33	47.43	48.16
2x40	51.55	49.53	53.28	52.55	53.95	55.05	55.78

Specifications
 Current Rating: 1.70Amp/PIN.
 Insulation Resistance: 10000MΩMin.
 Dielectric Withstanding Voltage: 500VAC
 Contact Resistance: 25mΩMax.
 Operating Temperature: -55°C to +125°C
 Materials
 Contact Material: Phosphor Bronze
 Insulator Material: High Temperature Thermoplastic, UL 94V-0 LCP or the equivalent material
 ☆ All materials must meet GREENCONN hazardous substances control standards.
 "★": Critical Characteristics, indicates product characteristics, functionalities, and manufacturing processes regarding to customer's specifications
 "☆": Safety Features indicates product characteristics, functionalities, and manufacturing processes complying to legal regulations stated by local government



Recommended P.C.Board Layout
 (Tolerance: ±0.05)



Ordering Information
 C BEC223- XX XX B 001 C 1 A X
 No. of Pins per Row: 06,08,10,13,16, 20,25,34,40
 Standard Plating: 79=5u"Au/80~160u"Matte Tin
 Selective Plating: 05=1u"Au/80~160u" Tin
 Color: 1=Black
 Standard Packing: F=Cap+Tape&Reel
 Selective Packing: C=Tube, E=Cap+Tube

Pin No.	Dim.H
≤25pin	0.12
>25pin	0.15

 Website: www.greenconn.com E-mail: sales@greenconn.com	3RD.ANG PROJ.	GENERAL TOLERANCE		DESIGNED: 羅孝亮	DATE: 2021.09.23	DWG. NO.	TITLE.
	 PAGE. 1/1	X.*±5.0"	X.±0.30	CHECKED: 張春進	DATE: 2021.09.23	CBEC223-CB001	
REV. A	UNIT. mm	SCALE. 3:1	.X*±3.0"	.X±0.25	APPROVED: 邱國延	DATE: 2021.09.23	PART NO.
			.XX*±2.0"	.XX±0.15			CBEC223-XXXXB001C1AX
			.XXX*±1.0"	.XXX±0.10			

1 2 3 4 5 6 7 8 9