

# Bellnix High Isolated Type, Small Size DC-DC Converter

## 1.5 Watt BY-H Series



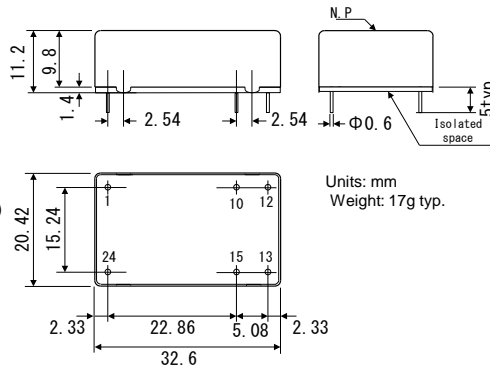
### AC1500V High Isolated Type DC-DC Converter

**Input: 5V Output: 5V, ±12V**

- Isolation Voltage AC1500V
- Long-Life with TCT Patent Circuit
- 24pin-DIP IC Size
- Over-Heat Protection
- No Electrolytic Capacitor, No Tantalum Capacitor
- Floating Type between Input and Output
- 5-Side Metallic shield structure
- EMI Line Filter
- Over-Current Protection
- RoHS Compliance
- Operating Temp Range: -20°C to +70°C (Derating required for 50°C or higher)
- Additional capacitors are the same as those of BY-SL, BY-WL series.

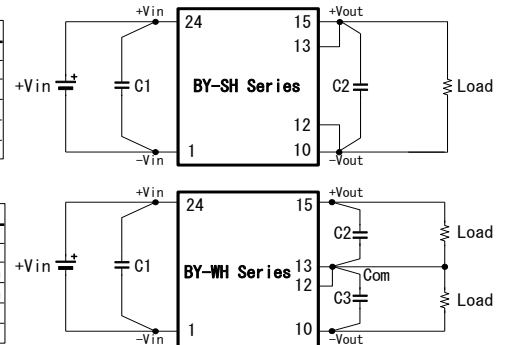
| Models<br>BY-H Series | Input V<br>Vdc | Output V<br>Vdc | Output I<br>mA | Line Reg<br>% (typ.) | Load Reg<br>% (typ.) | Ripple/Noise<br>mVpp(typ.) | Efficiency<br>% (typ.) |
|-----------------------|----------------|-----------------|----------------|----------------------|----------------------|----------------------------|------------------------|
| <b>BY05-05S20H</b>    | 4.75-6         | 5               | 0-200          | 0.3                  | 0.3                  | 100                        | 60                     |
| <b>BY05-12W06H</b>    |                | ±12             | ±0-65          |                      |                      |                            |                        |

Note 1: Derating required for input voltage 5.25V or higher.



| Pin | Function |
|-----|----------|
| 1   | -Vin     |
| 10  | -Vout    |
| 12  | -Vout    |
| 13  | +Vout    |
| 15  | +Vout    |
| 24  | +Vin     |

| Pin | Function |
|-----|----------|
| 1   | -Vin     |
| 10  | -Vout    |
| 12  | Common   |
| 13  | Common   |
| 15  | +Vout    |
| 24  | +Vin     |



- Note! This catalogue is an outline of the product. When designing, be sure to refer to the datasheet.