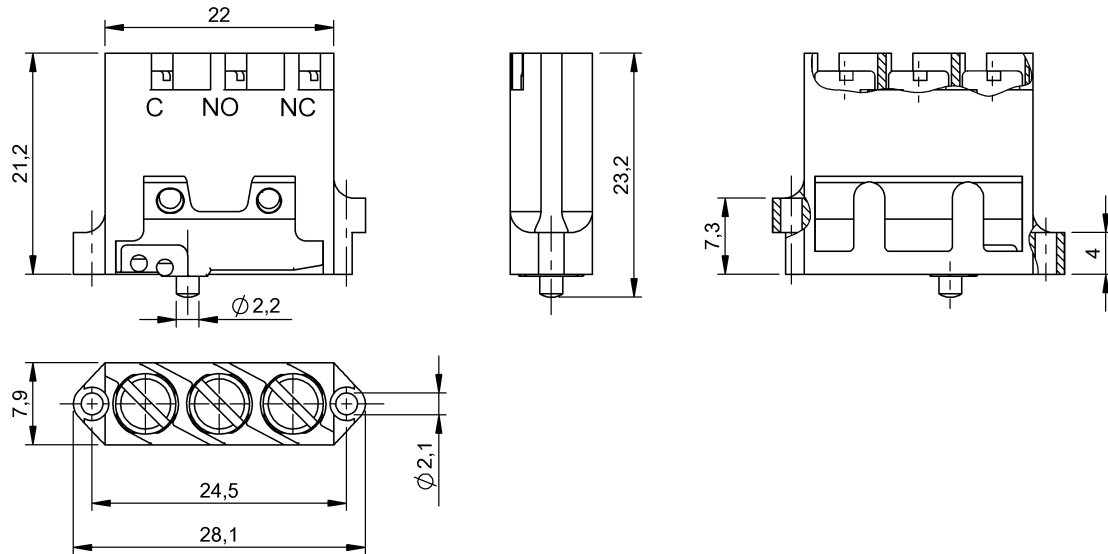


Mechanical Cam Switches
BSE 74.1-RK
 Order Code: BSE000L

BALLUFF



Basic features

Bounce time max.	2.0 ms
Switching time	10 ms

Electrical connection

Connection type	1. Switch position: Screw terminal
-----------------	------------------------------------

Electrical data

Contact resistance max.	240 mOhm
Contact resistance max., note	New condition
Continuous current	1. Switch position: 0.1 A
Mechanical life expectancy min.	10 mil. switching operations
Minimum load at 24 V DC	10.0 mA
Nominal voltage	250 VAC
Rated continuous current	0.1 A
Rated operating current I _e	0.1 A
Rated operating current I _e AC	0.1 A
Rated operating voltage U _e AC	250 V
Rated operating voltage U _e DC	220 V
Switching actuation force max.	1.50 N
Switching operations per minute	200
Switching principle	Snap switch
Switchover time max.	10.0 ms

Environmental conditions

Ambient temperature	-5...85 °C
---------------------	------------

Material

Housing material	Thermoplast, GF
Material contacts	Gold
Material contacts	1. Switch position: Gold

Mechanical data

Connection cross-section	0.75 mm ²
Tightening torque max.	12 Ncm

Wiring Diagrams

