

AT25EU0041A

4-Mbit, Ultra-Low Energy Serial Flash Memory

Features

- Voltage Range: 1.65 V – 3.6 V
- 4-Mbit Flash Memory
- Serial Peripheral Interface (SPI) compatible
 - Supports SPI modes 0 and 3
 - Supports single input/output operations (1,1,1)
 - Supports dual input and dual output operations (1,1,2), (1,2,2), (0,2,2)
 - Supports quad input and quad output operations (1,1,4), (1,4,4), (0,4,4)
- 108 MHz Maximum Operating Frequency
- Program
 - Serial-input Page Program up to 256 bytes
 - Dual-Input Page Program up to 256 bytes
 - Quad-Input Page Program up to 256 bytes
 - Program Suspend and Resume
- Erase
 - Page erase (256-byte)
 - Block erase (4/32/64 kbyte)
 - Full Chip erase
 - Erase Suspend and Resume
- Program/Erase Speed
 - Page Program time: 2 ms typical
 - Page Erase time: 8 ms typical
 - Block Erase time: 8 ms typical
 - Chip Erase time: 8 ms typical
- Flexible Architecture: 4/32/64 kbyte blocks
- Software-controlled Reset
- Software/Hardware Write Protection
 - 3x512-Byte Security Registers with OTP Lock
 - Enable/Disable protection with WP Pin
 - Write protect all/portion of memory via software protect
 - Top or Bottom Block selection
- Low Power Consumption
 - 1.1 mA active read current (typical)
 - 100 nA Deep Power-Down (DPD) current (typical)
- Temperature Range: -40 °C to +85 °C
- Cycling Endurance/Data Retention
 - 10k program and erase cycles
 - 20-year data retention
- Industry standard green (Pb/Halide-free/RoHS Compliant) Package Options
 - 8-lead SOIC (150-mil)
 - 8-pad 2 x 3 x 0.6 mm UDFN

Contents

Features	1
Figures	3
Tables	4
1. Product Overview	5
2. Package Types and Pinouts	6
2.1 Pin Configuration - SOP 150-mil	6
2.2 Pad Configuration - UDFN 2X3 MM	6
3. Block Addresses	8
4. Functional and Operational Description	9
4.1 Dual SPI Commands	9
4.2 Quad SPI Commands	9
4.3 Supply Voltage	9
4.4 Active Power and Standby Power Modes	10
4.5 Hold Condition	10
4.6 Software Reset	10
5. Status and Configuration Registers	11
5.1 Status Register 1	11
5.2 Status Register 2	12
5.3 Status Register Protection	13
5.4 Status Register Memory Protection	14
6. Command Set	16
6.1 Configuration and Status Commands	18
6.2 Read Commands	22
6.3 ID and Power Commands	30
6.4 Program / Erase and Security Commands	38
7. Electrical Characteristics	51
7.1 Absolute Maximum Ratings	51
7.2 Operating Ranges	51
7.3 Power-Up / Power-Down Timing and Requirements	52
7.4 DC Characteristics	52
7.5 AC Measurement conditions	53
7.6 AC Characteristics	54
7.7 Serial Output Timing	56
7.8 Serial Input Timing	56
7.9 <u>HOLD</u> Timing	56
7.10 WP Timing	56
8. Ordering Information	57
9. Packaging Information	58
9.1 Eight-Pin SOIC 150-mil	58
9.2 Eight-Pad 2 x 3 x 0.6 mm UDFN	59
10. Revision History	60

Figures

Figure 1. AT25EU0041A Logic Diagram	5
Figure 2. AT25EU0041A Pin Assignments, Eight-pin SOP 150-mil (Top View)	6
Figure 3. AT25EU0041A Pad Assignments, Eight-pad UDFN 2x3 mm (Top View)	6
Figure 4. Hold Condition Activation	10
Figure 5. Write Enable Command for SPI Mode	18
Figure 6. Write Enable for Volatile Status Register (50h)	18
Figure 7. Write Disable Command, SPI Mode	19
Figure 8. Read Status Register Command	19
Figure 9. Active Status Interrupt Command	20
Figure 10. Write Status Register Command	21
Figure 11. Read Data Command	22
Figure 12. Fast Read Command	23
Figure 13. Fast Read Dual Output Command	24
Figure 14. Fast Read Dual I/O Command (Initial command or previous M5-4≠10)	25
Figure 15. Fast Read Dual I/O Command (Previous command M5-4=10)	26
Figure 16. Fast Read Quad Output Command	27
Figure 17. Fast Read Quad I/O Command (Initial command or previous M5-4≠10)	28
Figure 18. Fast Read Quad I/O Command (Previous command set M5-4=10)	29
Figure 19. Set Burst with Wrap Command	30
Figure 20. Release Power-Down Command	31
Figure 21. Release Power-Down / Device ID Command	31
Figure 22. Read Manufacturer / Device ID Command	32
Figure 23. Dual I/O Read Manufacture ID/ Device ID Timing	33
Figure 24. Quad I/O Read Manufacture ID / Device ID Sequence Diagram	34
Figure 25. Read JEDEC ID Command	35
Figure 26. Read Unique ID Sequence Diagram	36
Figure 27. Deep Power-Down Command	37
Figure 28. Page Program Command	38
Figure 29. Dual Page Program Command	39
Figure 30. Quad Input Page Program Command	40
Figure 31. Page Erase Command	41
Figure 32. 4 kB Block Erase Command	41
Figure 33. 32 kB Block Erase Command	42
Figure 34. 64 kB Block Erase Command	42
Figure 35. Chip Erase Command	43
Figure 36. Program/Erase Suspend Command	44
Figure 37. Program/Erase Resume Command	46
Figure 38. Erase Security Register Command	47
Figure 39. Program Security Register Command	48
Figure 40. Read Security Command	49
Figure 41. Enable Reset and Reset Command Sequence	50
Figure 42. Read Serial Flash Discoverable Parameter Command	50
Figure 43. Power-Up Timing and Voltage Levels	52
Figure 44. AC Measurement I/O Waveform	53
Figure 45. Serial Output Timing	56
Figure 46. Serial Input Timing	56
Figure 47. $\overline{\text{HOLD}}$ Timing	56
Figure 48. $\overline{\text{WP}}$ Timing	56

Tables

Table 1. Pin Descriptions	6
Table 2. Block Addresses for the AT25EU0041A	8
Table 3. Status Register 1 Format	11
Table 4. Status Register 2 Format	12
Table 5. Status Register Protect Table	13
Table 6: Memory Array with CMP = 0	14
Table 7. Memory Array with CMP = 1	15
Table 8. Command Set Table 1	16
Table 9. Wrap-Around Length Based on Wrap Bits	30
Table 10. AT25EU0041A ID Definition Table	30
Table 11. Readable Area of Memory While a Program or Erase Operation is Suspended	43
Table 12. Acceptable Commands During Program/Erase Suspend After t_{PSL}/t_{ESL}	44
Table 13. Acceptable Commands During Suspend (t_{PSL}/t_{ESL} Not Required)	44
Table 14. Erase Security Coding	47
Table 15. Program Security Register Coding	48
Table 16. Read Security Register Coding	49
Table 17. Absolute Maximum Ratings	51
Table 18. Operating Ranges	51
Table 19. Timing Requirements for Power-Up/Down	52
Table 20. DC Electrical Characteristics for 1.65 V to 3.6 V	52
Table 21. DC Electrical Characteristics for 2.3 V to 3.6 V	53
Table 22. AC Measurement Conditions	53
Table 23. AC Electrical Characteristics for 1.65 V to 3.6 V	54
Table 24. AC Electrical Characteristics for 2.3 V to 3.6 V	55
Table 25. Ordering Codes	57

1. Product Overview

The AT25EU0041A is a new family of 4-Mbit Serial Peripheral Interface (SPI) Flash memory devices designed for ultra-low energy consumption. It is designed for battery powered system applications on the edge of the IoT network that are quite sensitive to the energy consumption of non-volatile memory devices. It can be used either for storing program code that is shadowed from Flash memory into embedded, or as external RAM for executing program code directly from the Nor Flash memory.

The AT25EU0041A achieves the ultra-low energy consumption by using a flexible erase architecture and short erase times with very low power for all operations such as read, program, and erase. The short erase times are constant and independent of the size of the memory block being erased. It also supports the page-erase feature, which allows erasing a block as small as 256 bytes. The page-erase feature makes write operations much more efficient.

The AT25EU0041A provides flexibility by supporting a wide V_{CC} voltage range (1.65 V – 3.6 V). The device supports the JEDEC standard manufacturer and device ID, as well as a 128-bit Unique Serial Number.

Figure 1 shows the logic diagram of the AT25EU0041A device.

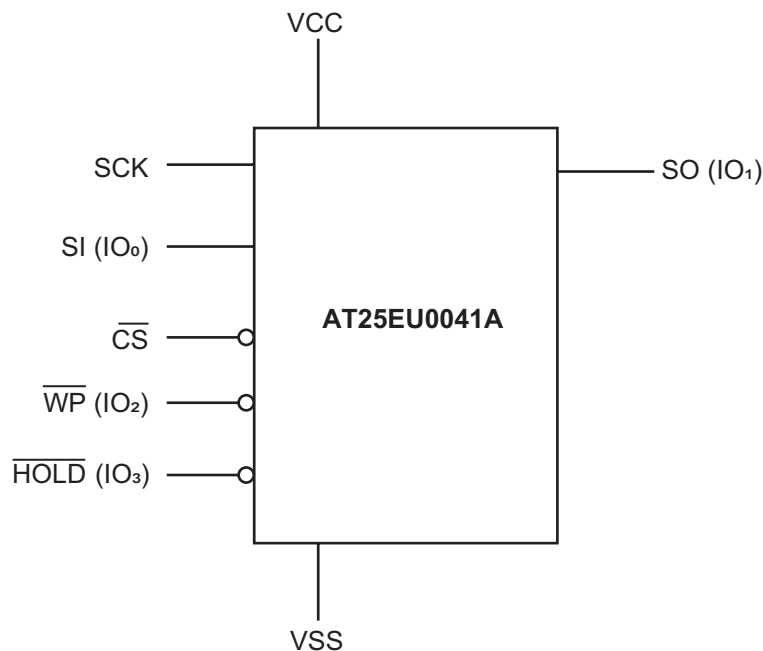


Figure 1. AT25EU0041A Logic Diagram

2. Package Types and Pinouts

2.1 Pin Configuration - SOP 150-mil

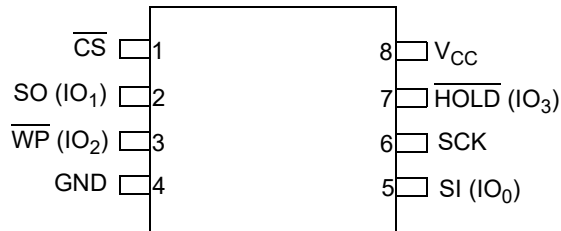


Figure 2. AT25EU0041A Pin Assignments, Eight-pin SOP 150-mil (Top View)

2.2 Pad Configuration - UDFN 2X3 MM

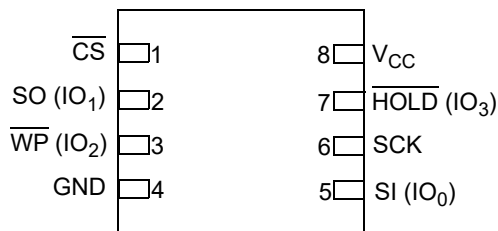


Figure 3. AT25EU0041A Pad Assignments, Eight-pad UDFN 2x3 mm (Top View)

During all operations, V_{CC} must be held stable and within the specified valid range: V_{CC} (min) to V_{CC} (max).

All of the input and output signals must be held high or low (according to voltages of V_{IH} , V_{OH} , V_{IL} , or V_{OL} ; see Section 7.6, AC Characteristics).

Table 1. Pin Descriptions

Symbol	Name and Function	Asserted State	Type
\overline{CS}	<p>CHIP SELECT</p> <p>Asserting the \overline{CS} pin selects the device. When the \overline{CS} pin is deasserted, the device is deselected and normally be placed in standby mode (all input signals are ignored, and all output signals are high impedance).</p> <p>Unless an internal Program, Erase, or Write Status Registers embedded operation is in progress, the device is in the Standby Power mode. Driving the \overline{CS} input to low enables the device, placing it in the Active Power mode. After power-up, a falling edge on \overline{CS} is required before the start of any command.</p> <p>A high-to-low transition on the \overline{CS} pin is required to start an operation; a low-to-high transition is required to end an operation. When ending an internally self-timed operation, such as a program or erase cycle, the device does not enter the standby mode until the operation is complete.</p> <p>To ensure correct power-up sequencing, it is recommended to add a 10k Ohm pull-up resistor from \overline{CS} to V_{CC}. This ensures \overline{CS} ramps together with V_{CC} during power-up.</p>	Low	Input
SCK	<p>SERIAL CLOCK</p> <p>This pin provides a clock to the device. Command, address, and input data present on the SI pin is latched in on the rising edge of SCK, while output data on the SO pin is clocked out on the falling edge of SCK.</p>	-	Input

Table 1. Pin Descriptions

Symbol	Name and Function	Asserted State	Type
SI (IO ₀)	<p>SERIAL INPUT</p> <p>The SI pin is used for all data input, including command and address sequences. Data on the SI pin is latched in on the rising edge of SCK.</p> <p>Data present on the SI pin is ignored whenever the device is deselected ($\overline{\text{CS}}$ is deasserted).</p>	-	Input/Output
SO (IO ₁)	<p>SERIAL OUTPUT: Data on the SO pin is clocked out on the falling edge of SCK.</p> <p>The SO pin is in a high-impedance state whenever the device is deselected ($\overline{\text{CS}}$ is deasserted).</p>	-	Input/Output
$\overline{\text{WP}}$ (IO ₂)	<p>WRITE PROTECT / IO₂</p> <p>This pin is used either for write-protection, in which case it is referred to as $\overline{\text{WP}}$, or as one of the quad-SPI I/O pins, in which case it is referred to as IO₂.</p> <p>When the Quad Enable (QE) bit of Status Register 2 is 0, and the SRP1 and SRP0 bits are 0 and 1, respectively, the pin can be used for write-protection. It then can be asserted (driven low) to protect the Status Registers from modification.</p> <p>When the QE bit of Status Register 2 is 1, quad-SPI communication is enabled, and the pin is used as I/O pin IO₂ in any command that makes use of quad-SPI. In this setting, do not use the pin for write-protection.</p> <p>The $\overline{\text{WP}}$ pin is internally pulled high and can be left floating if not used.</p>	-	Input/Output
$\overline{\text{HOLD}}$ (IO ₃)	<p>HOLD / IO₃</p> <p>This pin is used either for pausing communication, in which case it is referred to as $\overline{\text{HOLD}}$, or as one of the quad-SPI I/O pins, in which case it is referred to as IO₃.</p> <p>When the Quad Enable (QE) bit of Status Register 2 is 0, this pin is used as a $\overline{\text{HOLD}}$ pin. When the QE bit of Status Register 2 is 1, quad-SPI communication is enabled, and the pin is used as I/O pin IO₃ in any command that makes use of quad-SPI. In this setting, do not use the pin for pausing communication.</p> <p>The $\overline{\text{HOLD}}$ pin is used to pause a SPI sequence without resetting the clocking sequence. To enable the $\overline{\text{HOLD}}$ mode, $\overline{\text{CS}}$ must be low. The $\overline{\text{HOLD}}$ mode effect is on with the falling edge of the $\overline{\text{HOLD}}$ signal with SCK being low. The $\overline{\text{HOLD}}$ mode ends on the rising edge of the $\overline{\text{HOLD}}$ signal with SCK being low.</p> <p>The $\overline{\text{HOLD}}$ pin is internally pulled high and can be left floating if not used.</p>	-	Input/Output
V _{CC}	<p>DEVICE POWER SUPPLY</p> <p>The V_{CC} pin supplies the source voltage to the device.</p>	-	Power
GND	<p>GROUND</p> <p>The ground reference for the power supply. Connect GND to the system ground.</p>	-	Power

3. Block Addresses

Table 2. Block Addresses for the AT25EU0041A

64-kbyte Block	32-kbyte Block	4-kbyte Block	Address Range
64 kbytes (block 7)	32 kbytes (block 15)	4 kbytes (Block 127)	07F000h - 07FFFFh
		4 kbytes (B126)	07E000h - 07EFFFh
		4 kbytes (B125)	07D000h - 07DFFFh
		4 kbytes (B124)	07C000h - 07CFFFh
		4 kbytes (B123)	07B000h - 07BFFFh
		4 kbytes (B122)	07A000h - 07AFFFh
		4 kbytes (B121)	079000h - 079FFFh
	32 kbytes (block 14)	4 kbytes (B120)	078000h - 078FFFh
		4 kbytes (B119)	077000h - 077FFFh
		4 kbytes (B118)	076000h - 076FFFh
		4 kbytes (B117)	075000h - 075FFFh
		4 kbytes (B116)	074000h - 074FFFh
		4 kbytes (B115)	073000h - 073FFFh
		4 kbytes (B114)	072000h - 072FFFh
		4 kbytes (B113)	071000h - 071FFFh
64 kbytes (block 6) to 64 kbytes (block 1)	32 kbytes (block 13) to 32 kbytes (block 2)	4 kbytes (B112)	070000h - 070FFFh
		4 kbytes (B111) to 4 kbytes (B16)	06F000h - 06FFFFh to 010000h - 010FFFh
64 kbytes (block 0)	32 kbytes (block 1)	4 kbytes (B15)	00F000h - 00FFFFh
		4 kbytes (B14)	00E000h - 00EFFFh
		4 kbytes (B13)	00D000h - 00DFFFh
		4 kbytes (B12)	00C000h - 00CFFFh
		4 kbytes (B11)	00B000h - 00BFFFh
		4 kbytes (B10)	00A000h - 00AFFFh
		4 kbytes (B9)	009000h - 009FFFh
	32 kbytes (block 0)	4 kbytes (B8)	008000h - 008FFFh
		4 kbytes (B7)	007000h - 007FFFh
		4 kbytes (B6)	006000h - 006FFFh
		4 kbytes (B5)	005000h - 005FFFh
		4 kbytes (B4)	004000h - 004FFFh
		4 kbytes (B3)	003000h - 003FFFh
		4 kbytes (B2)	002000h - 002FFFh
		4 kbytes (B1)	001000h - 001FFFh
		4 kbytes (B0)	000000h - 000FFFh

4. Functional and Operational Description

The AT25EU0041A features a serial peripheral interface on a four-signals bus: SCK, $\overline{\text{CS}}$, SI, and SO. Both SPI bus mode 0 and 3 are supported.

The SPI mode has input bits (including commands, addresses, data, M7~M0, W6~W4, etc.) latched on the rising edge of SCK, as well as output bits transferred out on the falling edge of SCK.

4.1 Dual SPI Commands

The AT25EU0041A supports Dual SPI operation. when using the Dual Output Fast Read (3Bh) or Dual I/O Fast read (BBh) commands. These commands allow data to be transferred to, and from, the device at two times the rate of the standard SPI. When using the Dual SPI command, the SI and SO pins become bidirectional I/O pins IO₀ and IO₁, respectively.

4.2 Quad SPI Commands

The AT25EU0041A supports Quad SPI operation when using the Quad Output Fast Read (6Bh) or Quad I/O Fast Read (EBh) commands. These commands allow the data to be transferred to, and from, the device at four times the rate of standard SPI. When using the Quad SPI command, the SI and SO pins become bidirectional I/O pins, and the $\overline{\text{WP}}$ and $\overline{\text{HOLD}}$ pins become IO₂ and IO₃, respectively. Quad SPI commands require the non-volatile Quad Enable bit (QE) in Status Register 2 to be set to 1.

4.3 Supply Voltage

4.3.1 Operating Supply Voltage

Before selecting the memory and issuing commands to it, a valid and stable V_{CC} voltage within the specified [$V_{\text{CC}}(\text{min})$, $V_{\text{CC}}(\text{max})$] range must be applied (see operating ranges). To secure a stable DC supply voltage, it is recommended to decouple the V_{CC} line with a suitable capacitor (usually of the order of 100 nF to 1 μF) close to the $V_{\text{CC}}/V_{\text{SS}}$ package pins. This voltage must remain stable and valid until the end of the transmission of the command; for a Write command, it must be stable until the completion of the internal write cycle.

4.3.2 Power-up Conditions

When the power supply is turned on, V_{CC} rises continuously from V_{SS} to V_{CC} . During this time, the $\overline{\text{CS}}$ line is not allowed to float; it must follow the V_{CC} voltage. Thus, it is recommended to connect the $\overline{\text{CS}}$ line to V_{CC} through a suitable pull-up resistor. Also, the $\overline{\text{CS}}$ input offers a built-in safety feature: the $\overline{\text{CS}}$ input is edge sensitive and level sensitive: after power-up, the device does not become selected until a falling edge has first been detected on $\overline{\text{CS}}$. This ensures that $\overline{\text{CS}}$ must have been high before going low to start the first operation.

4.3.3 Device Reset

To prevent inadvertent Write operations during power-up (continuous rise of V_{CC}), a power-on reset (POR) circuit is included. At power-up, the device does not respond to any command until V_{CC} has reached the power-on reset threshold voltage (this threshold is lower than the minimum V_{CC} operating voltage defined in Power-up Timing). When V_{CC} has passed the POR threshold, the device is reset.

4.3.4 Power-Down

At power-down (continuous decrease in V_{CC}), as soon as V_{CC} drops from the normal operating voltage to below the power-on reset threshold voltage (V_{WI}), the device stops responding to any command sent to it. During power-down, the device must be deselected ($\overline{\text{CS}}$ must be allowed to follow the voltage applied on V_{CC}) and in Standby power mode (there must be no internal Write cycle in progress).

4.4 Active Power and Standby Power Modes

When \overline{CS} is low, the device is selected, and in the Active Power mode. The device consumes I_{CC} . When \overline{CS} is high, the device is deselected. If a Write cycle is not currently in progress, the device then goes in to the Standby Power mode, and the device consumption drops to I_{CC1} .

4.5 Hold Condition

When $QE=0$, $HOLD=0$, the \overline{HOLD} signal is used to pause any serial communications with the device without resetting the clocking sequence, but does not stop the in-progress operation of write status register, programming, or erasing. During the Hold condition, the Serial Data Output (SO) is high impedance, and Serial Data Input (SI) and SCK are don't care. To enter the Hold condition, the device must be selected, with \overline{CS} low. Normally, the device is kept selected for the whole duration of the Hold condition. Deselecting the device while it is in the Hold condition, has the effect of resetting the state of the device, and this mechanism can be used if it is required to reset any processes that had been in progress. The Hold condition starts when the \overline{HOLD} signal is driven low at the same time as SCK already being low (Figure 4). The Hold condition ends when the \overline{HOLD} signal is driven high at the same time as Serial Clock (SCK) is low. Figure 4 also shows what happens if the rising and falling edges are not timed to coincide with SCK being low.

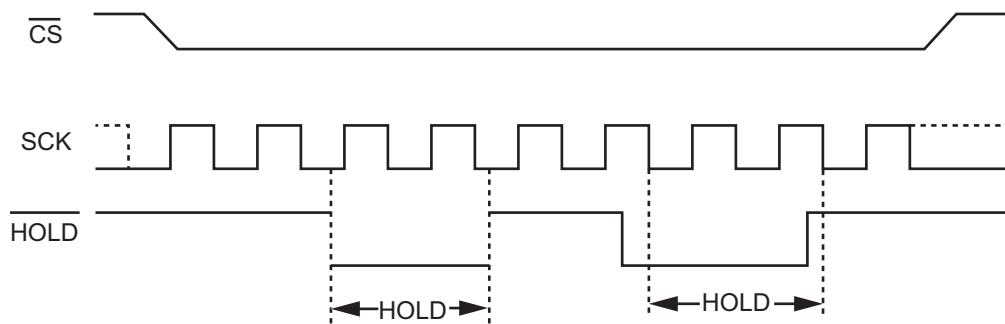


Figure 4. Hold Condition Activation

4.6 Software Reset

The AT25EU0041A can be reset to the initial power-on state by a software reset sequence. This sequence must include two consecutive commands: Enable Reset (66h) and Reset (99h). If the command sequence is accepted, the device takes approximately 300 μ s (t_{RST}) to reset. No command is accepted during the reset period.

5. Status and Configuration Registers

5.1 Status Register 1

Table 3 shows the bit assignments for Status Register 1.

Table 3. Status Register 1 Format

Bit #	Acronym	Name	Type	Default	Description
7	SRP0	Status Register Protect 0	R/W	0	The Status Register Protect 0 bit is a non-volatile bit that, along with the SRP1 and WP bits, controls the method of write protection: software protection, hardware protection, power supply lock-down, or one time programmable protection. See Table 5.
6:2	BP4-BP0	Block Protect Size	R/W	0	The Block Protect (BP4, BP3, BP2, BP1, BP0) bits are non-volatile. They define the size of the area to be software-protected against Program and Erase commands. These bits are written with the Write Status Register command. When the Block Protect (BP4, BP3, BP2, BP1, BP0) bits are set to 1, the relevant memory (as defined in Table 6 and Table 7) becomes protected against Page Program, Page Erase, and Block Erase commands. The Block Protect (BP4, BP3, BP2, BP1, BP0) bits can be written provided that the Hardware Protected mode has not been set. The Chip Erase command is executed if the Block Protect (BP2, BP1, and BP0) bits are 0 and CMP=0, or the Block Protect (BP2, BP1 and BP0) bits are 1 and CMP=1. Note that on power-up the device is unprotected.
1	WEL	Write Enable	R	n/a	The Write Enable Latch bit indicates the status of the internal Write Enable Latch. When WEL is 1, the internal Write Enable Latch is set, when WEL is 0, the internal Write Enable Latch is reset, and no Write Status Register, Program or Erase command is accepted.
0	WIP	Write-in-Progress	R	n/a	The Write in Progress (WIP) bit indicates if the memory is busy programming erasing, or writing to the status register. When set to 1 (the Status Register is being programmed, erased, or written to; when 0, the device is not programming, erasing, writing to the status register.

5.2 Status Register 2

Table 4 shows the bit assignments for Status Register 2.

Table 4. Status Register 2 Format

Bit #	Acronym	Name	Type	Default	Description
7	SUS	Suspend Status	R	n/a	The SUS bit is a read-only bit in Status Register 2 that is set to 1 after executing a Program/Erase Suspend (75h) command. The SUS bit is cleared to 0 by a Program/Erase Resume (7Ah) command, Software Reset (66h/99h) command, or power-down, power-up cycle.
6	CMP	Complement Protect	R/W	0	The Complement Protect bit is a non-volatile read/write bit in the status register that is used in conjunction with the BP4, BP3, BP2, BP1, and BP0 bits to provide more flexibility for the array protection. See the Table 5 for details.
5:3	LB3-LB1	Write-Protect and Control Status	R	0	The LB bits are non-volatile One-Time Program (OTP) bits in the Status Register (S13-S11) that provide the write protect control and status to the Security Registers. The default state of LB is 0 (the security registers are unlocked). LB can be set to 1 individually using the Write Register command. LB is One-Time Programmable; once it is set to 1, the Security Registers becomes read-only permanently (LB3-1 corresponds to S13-11).
2	Reserved	--	R	n/a	Reserved.
1	QE	Quad Enable	n/a	0	This is a non-volatile read/write bit that allows Quad SPI operation. When 0, the \overline{WP} and \overline{HOLD} pins are enabled. When set to 1, the quad IO_2 and IO_3 pins are enabled. Never set the QE pin to 1 during standard SPI or dual SPI operation if the \overline{WP} and \overline{HOLD} pins are connected directly to the power supply or ground.
0	SRP1	Status Register Protect 1	R/W	0	The Status Register Protect 1 is a non-volatile Read/Write bit that, along with the SRP0 and WP bits, controls the method of write protection: software protection, hardware protection, power supply lock-down, or one time programmable protection. See Table 5.

5.3 Status Register Protection

Note that the default value is set by the manufacturer during wafer sort; it is marked as default in [Table 5](#).

Table 5. Status Register Protect Table

SRP1	SRP0	WP	Status Register	Description
0	0	X	Software Protected	The Status Register can be written to after a Write Enable command, WEL=1 (default).
0	1	0	Hardware Protected	$\overline{WP} = 0$, the Status Register is locked and cannot be written to.
0	1	1	Hardware Unprotected	$\overline{WP} = 1$, the Status Register is unlocked and can be written to after a Write Enable command, WEL=1.
1	0	X	Power Supply Lock-Down ¹	Status Register is protected and cannot be written to until the next power-down, power-up cycle.
1	1	X	One-Time Program	Status Register is permanently protected and cannot be written to.

1. When SRP1, SRP0= (1, 0), a power-down, power-up cycle changes SRP1, SRP0 to (0, 0) state.

2. The One-Time Program feature is available upon special order. Contact Renesas Electronics for details.

5.4 Status Register Memory Protection

5.4.1 Protection Tables

Table 6: Memory Array with CMP = 0

Status Register Protection Bits ¹					Memory Content ²			
BP4	BP3	BP2	BP1	BP0	Protected Block(s)	Address Range	Protected Density	Protected Portion
X	X	0	0	0	None	None	None	None
0	0	0	0	1	7	070000h-07FFFFh	64 kB	Upper 1/8
0	0	0	1	0	6 and 7	060000h-07FFFFh	128 kB	Upper 1/4
0	0	0	1	1	4 to 7	040000h-07FFFFh	256 kB	Upper 1/2
0	1	0	0	1	0	000000h-00FFFFh	64 kB	Lower 1/8
0	1	0	1	0	0 to 1	000000h-01FFFFh	128 kB	Lower 1/4
0	1	0	1	1	0 to 3	000000h-03FFFFh	256 kB	Lower 1/2
0	X	1	X	X	0 to 7	000000h-07FFFFh	512 kB	All
1	0	0	0	1	7	07F000h-07FFFFh	4 kB	Upper 1/128
1	0	0	1	0	7	07E000h-07FFFFh	8 kB	Upper 1/64
1	0	0	1	1	7	07C000h-07FFFFh	16 kB	Upper 1/32
1	0	1	0	X	7	078000h-07FFFFh	32 kB	Upper 1/16
1	0	1	1	0	7	078000h-07FFFFh	32 kB	Upper 1/16
1	1	0	0	1	0	000000h-000FFFh	4 kB	Lower 1/128
1	1	0	1	0	0	000000h-001FFFh	8 kB	Lower 1/64
1	1	0	1	1	0	000000h-003FFFh	16 kB	Lower 1/32
1	1	1	0	X	0	000000h-007FFFh	32 kB	Lower 1/16
1	1	1	1	0	0	000000h-007FFFh	32 kB	Lower 1/16
1	X	1	1	1	0 to 7	000000h-07FFFFh	512 kB	All

1. X = don't care

2. If any Erase or Program command specifies a memory region that contains a protected data portion, that command is ignored.

Table 7. Memory Array with CMP = 1

Protection Bits					Memory Content ²			
BP4	BP3	BP2	BP1	BP0	Protected Block(s)	Address Range	Protected Density	Protected Portion
X ¹	X	0	0	0	0 to 7	000000h-07FFFFh	512 kB	All
0	0	0	0	1	0 to 6	000000h-06FFFFh	448 kB	Lower 7/8
0	0	0	1	0	0 and 5	000000h-05FFFFh	384 kB	Lower 3/4
0	0	0	1	1	0 to 3	000000h-03FFFFh	256 kB	Lower 1/2
0	1	0	0	1	1 to 7	010000h-07FFFFh	448 kB	Upper 7/8
0	1	0	1	0	2 to 7	020000h-07FFFFh	384 kB	Upper 3/4
0	1	0	1	1	4 to 7	040000h-07FFFFh	256 kB	Upper 1/2
0	X	1	X	X	None	None	None	None
1	0	0	0	1	0 to 7	000000h-07EFFFh	508 kB	Lower 127/128
1	0	0	1	0	0 to 7	000000h-07DFFFh	504 kB	Lower 63/64
1	0	0	1	1	0 to 7	000000h-07BFFFh	496 kB	Lower 31/32
1	0	1	0	X	0 to 7	000000h-077FFFh	480 kB	Lower 15/16
1	0	1	1	0	0 to 7	000000h-077FFFh	480 kB	Lower 15/16
1	1	0	0	1	0 to 7	001000h-07FFFFh	508 kB	Upper 127/128
1	1	0	1	0	0 to 7	002000h-07FFFFh	504 kB	Upper 63/64
1	1	0	1	1	0 to 7	004000h-07FFFFh	496 kB	Upper 31/32
1	1	1	0	X	0 to 7	008000h-07FFFFh	480 kB	Upper 15/16
1	1	1	1	0	0 to 7	008000h-07FFFFh	480 kB	Upper 15/16
1	X	1	1	1	None	None	None	None

1. X = don't care.

2. If any Erase or Program command specifies a memory region that contains protected data portion, this command is ignored.

6. Command Set

All commands, addresses, and data are transferred into and out of the device, beginning with the most significant bit on the first rising edge of SCK after \overline{CS} is driven low. Then, the one-byte opcode must be transferred into the device on SI, most significant bit first, each bit being latched on a rising edge of SCK.

Every command sequence starts with a one-byte opcode. Depending on the command, this might be followed by address bytes. See Table 8.

For the Read, Fast Read, Read Status Register 1, Read Status Register 2 or Release from Deep Power-Down, or Read Device ID command, the transferred-in command sequence is followed by a data out sequence. \overline{CS} can be driven high after any bit of the data-out sequence is being transferred out.

For the Page Program, Page Erase, Block Erase, Chip Erase, Write Status Register, Write Enable, Write Disable or Deep Power-Down command, \overline{CS} must be driven high exactly at a byte boundary; otherwise, the command is rejected. (\overline{CS} must drive high when the number of clock pulses after \overline{CS} being driven low is an exact multiple of eight.) For Page Program, if at any time the input byte is not a full byte, nothing happens, and WEL is not reset.

Table 8. Command Set Table ¹

Command Name	Byte 1	Byte 2	Byte 3	Byte 4	Byte 5	Byte 6	n- Bytes
Read							
Normal Read Data	03h	A23-A16	A15-A8	A7-A0	(D7-D0)	(Next Byte)	(continuous)
Fast Read	0Bh	A23-A16	A15-A8	A7-A0	Dummy	(D7-D0)	(continuous)
Dual Output Fast Read	3Bh	A23-A16	A15-A8	A7-A0	Dummy	(D7-D0) ²	(continuous)
Quad Output Fast Read	6Bh	A23-A16	A15-A8	A7-A0	Dummy	(D7-D0) ³	(continuous)
Dual I/O Fast Read	BBh	A23-A8 ⁴	A7-A0 M7-M0 ⁴	(D7-D0)			(continuous)
Quad I/O Fast Read	EBh	A23-A0 M7-M0 ⁵	Dummy	(D7-D0) ⁶			(continuous)
Set Burst with Wrap	77h	W6-W4					
Program/Erase and Suspend							
Page Program	02h	A23-A16	A15-A8	A7-A0	(D7-D0) ⁷	(Next Byte)	
Dual Page Program	A2h	A23-A16	A15-A8	A7-A0	(D7-D0) ⁷	(Next Byte)	
Quad Page Program	32h	A23-A16	A15-A8	A7-A0	(D7-D0) ⁷	(Next Byte)	
Page Erase	81h/DBh	A23-A16	A15-A8	A7-A0	(D7-D0) ⁷	(Next Byte)	
Block Erase (4 kB)	20h	A23-A16	A15-A8	A7-A0	(D7-D0) ⁷	(Next Byte)	
Block Erase (32 kB)	52h	A23-A16	A15-A8	A7-A0			
Block Erase (64 kB)	D8h	A23-A16	A15-A8	A7-A0			
Chip Erase	C7h/60h						
Program/Erase Suspend	75h						
Program/Erase Resume	7Ah						
Security							
Erase Security Registers	44h	A23-A16 ⁸	A15-A8 ⁸	A7-A0 ⁸			
Program Security Registers	42h	A23-A16 ⁸	A15-A8 ⁸	A7-A0 ⁸	D7-D0	Next Byte	
Read Security Registers	48h	A23-A16 ⁸	A15-A8 ⁸	A7-A0 ⁸	Dummy	D7-D0	
Read Serial Flash Discoverable Parameter	5Ah	A23-A16	A15-A8	A7-A0	Dummy	(D7-D0)	(continuous)
Configuration							
Write Enable	06h						
Volatile SR Write Enable	50h						
Write Disable	04h						

Table 8. Command Set Table ¹ (Cont.)

Command Name	Byte 1	Byte 2	Byte 3	Byte 4	Byte 5	Byte 6	n- Bytes
Status Register							
Read Status Register 1	05h	(S7-S0) ⁹					(continuous)
Write Status Register ¹⁰	01h	S7-S0	S15-S8				
Read Status Register 2	35h	(S15-S8) ⁹					(continuous)
Active Status Interrupt	25h						
ID and Power							
Deep Power-down	B9h						
Release Power-down / ID	ABh	Dummy	Dummy	Dummy	ID7-ID0		(continuous)
Release Power-down	ABH						
Manufacturer/Device ID	90h	Dummy	Dummy	00/01h	(MF7-MF0)/ (ID7-ID0)	(ID7-ID0) ⁹ / (MF7-MF0) ⁹	(continuous)
Mftr./Device ID Dual IO	92h	A23-A8 ⁴	A7-A0 ⁴ (M7-M0)	(M7-M0) (D7-D0)			(continuous)
Mftr./Device ID Quad IO	94h	A23-A0 (M7-M0) ⁵	(M7-M0) (D7-D0) ⁶				(continuous)
Read JEDEC ID	9Fh	(MF7-MF0)	(ID15-ID8)	(ID7-ID0) ⁹			(continuous)
Read Unique ID Number	4Bh	Dummy	Dummy	Dummy	Dummy	(ID127-ID0)	
Other Commands							
Enable Reset	66h						
Reset Device	99h						

- Data bytes are transferred with Most Significant Bit first. Byte fields with data in parenthesis () indicate data output from the device.
- Dual SPI data output format:
IO₀ = (D6, D4, D2, D0)
IO₁ = (D7, D5, D3, D1)
- Quad SPI data output format:
IO₀ = (D4, D0,)
IO₁ = (D5, D1,)
IO₂ = (D6, D2,)
IO₃ = (D7, D3,)
- Dual SPI address input format:
IO₀ = A22, A20, A18, A16, A14, A12, A10, A8, A6, A4, A2, A0, M6, M4, M2, M0
IO₁ = A23, A21, A19, A17, A15, A13, A11, A9, A7, A5, A3, A1, M7, M5, M3, M1
- Quad SPI address input format:
IO₀ = A20, A16, A12, A8, A4, A0, M4, M0
IO₁ = A21, A17, A13, A9, A5, A1, M5, M1
IO₂ = A22, A18, A14, A10, A6, A2, M6, M2
IO₃ = A23, A19, A15, A11, A7, A3, M7, M3
- Fast Read Quad I/O data output format:
IO₀ = (x, x, x, x, D4, D0, D4, D0)
IO₁ = (x, x, x, x, D5, D1, D5, D1)
IO₂ = (x, x, x, x, D6, D2, D6, D2)
IO₃ = (x, x, x, x, D7, D3, D7, D3)
- At least one byte of data input is required for Page Program, Dual Page Program, Quad Page Program and Program Security Registers, up to 256 bytes of data input. If more than 256 bytes of data are sent to the device, the addressing wraps to the beginning of the page and overwrites previously sent data.
- Security Register Address:
Security Register 1 A23-16 = 00h A15-9 = 0001000 A8-0 = byte address
Security Register 2 A23-16 = 00h A15-9 = 0010000 A8-0 = byte address
- The Status Register contents and Device ID repeat continuously until $\overline{\text{CS}}$ terminates the command.
- Write Status Register (01h) can also be used to write Status Register 1 and 2, see Table 6.1.6.

6.1 Configuration and Status Commands

6.1.1 Write Enable (06h)

The Write Enable command sets the Write Enable Latch (WEL) bit in the Status Register to 1. The WEL bit must be set before every Page Program, Page Erase, Block Erase, Chip Erase, Write Status Register, and Erase/Program Security Registers command. The Write Enable command is entered by driving \overline{CS} low, transferring the opcode 06h into the Data Input (SI) pin on the rising edge of SCK, and then driving \overline{CS} high.

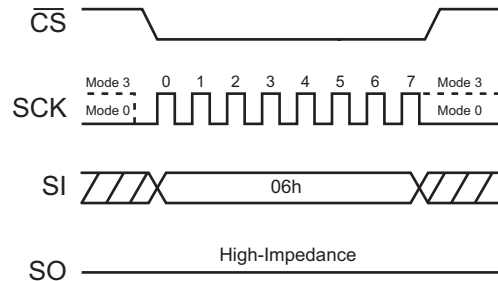


Figure 5. Write Enable Command for SPI Mode

6.1.2 Write Enable for Volatile Status Register (50h)

The non-volatile Status Register bits described in Section 5 can also be written to as volatile bits. This gives more flexibility to change the system configuration and memory protection schemes quickly without waiting for the typical non-volatile bit write cycles or affecting the endurance of the Status Register non-volatile bits. To write the volatile values into the Status Register bits, the Write Enable for Volatile Status Register (50h) command must be issued before a Write Status Register (01h) command. The Write Enable for Volatile Status Register command does not set the Write Enable Latch (WEL) bit; it is only valid for the Write Status Register command to change the volatile Status Register bit values.

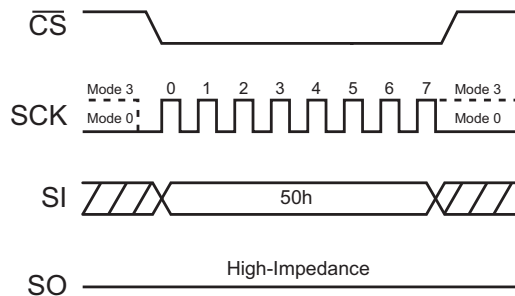


Figure 6. Write Enable for Volatile Status Register (50h)

6.1.3 Write Disable (04h)

The Write Disable command resets the Write Enable Latch (WEL) bit in the Status Register to 0. The Write Disable command is entered by driving \overline{CS} low, transferring the opcode 04h onto the SI pin, and then driving \overline{CS} high. Note that the WEL bit is automatically reset after power-up and upon completion of the Write Status Register, Erase/Program Security Registers, Page Program, Page Erase, Block Erase, Chip Erase, and Reset command.

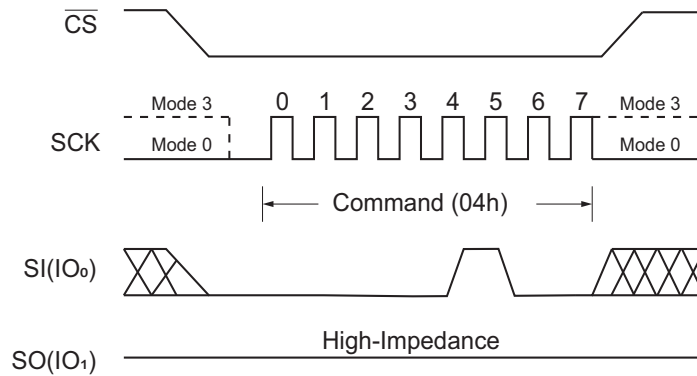


Figure 7. Write Disable Command, SPI Mode

6.1.4 Read Status Register 1 (05h), Status Register 2 (35h)

The Read Status Register commands allow the eight-bit Status Registers to be read. The command is entered by driving \overline{CS} low and transferring the opcode 05h for Status Register 1, 35h for Status Register 2 onto the SI pin on the rising edge of SCK. The status register bits are then transferred out on the SO pin at the falling edge of SCK, with most significant bit (MSB) first, as shown in Figure 8. See Section 5 for Status Register descriptions. The Read Status Register command can be used at any time, even while a Program, Erase or Write Status Register cycle is in progress. This allows the RDY/BSY status bit to be checked to determine when the cycle is complete and if the device can accept another command. The Status Register can be read continuously, as shown in Figure 8. The command is completed by driving \overline{CS} high.

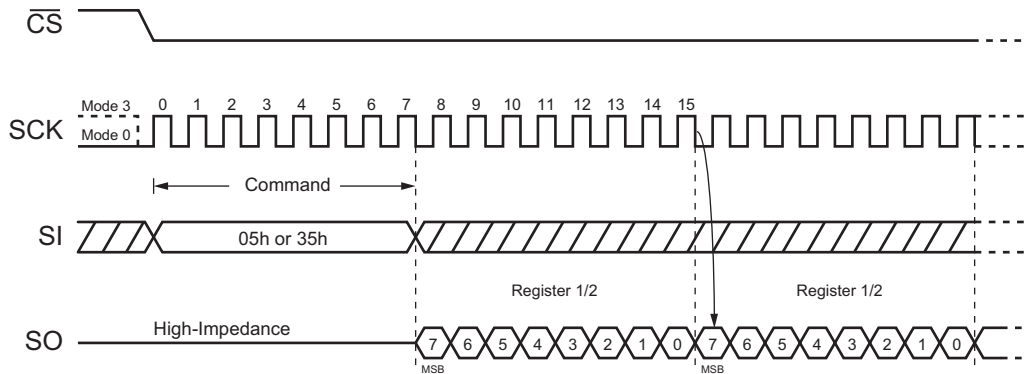


Figure 8. Read Status Register Command

6.1.5 Active Status Interrupt (25h)

The Active Status Interrupt improves the ability to determine if the device is busy or not. It is not necessary to continuously read the Status Register; it is sufficient to monitor the value of the SO line. If the SO line is connected to an interrupt line on the host controller, the host controller can be in sleep mode until the SO line indicates that the device is ready for the next command. The RDY/BSY bit can be read at any time, including during an internally self-timed program or erase operation. To enable the Active Status Interrupt command, the \overline{CS} pin must first be asserted, and the opcode of 25h must be clocked into the device. The value of the SI line after the opcode being clocked in is of no significance to the operation. The value of RDY/BSY is then output on the SO line, and is continuously updated by the device for as long as the \overline{CS} pin remains asserted. Additional clocks on the SCK pin are not required. That is, whether the additional clock on the SCK pin exists is independent of the correct output of the value of RDY/BSY. (Figure 9 shows a case where additional clocks exist.) If the RDY/BSY bit changes from 1 to 0 while the \overline{CS} pin is asserted, the SO line changes from 1 to 0. (The RDY/BSY bit cannot change from 0 to 1 during an operation; so, if the SO line already is 0, it does not change.) Deasserting the \overline{CS} pin terminates the Active Status Interrupt operation and puts the SO pin into a high-impedance state. The sequence of issuing the ASI command is: \overline{CS} goes low → sending ASI opcode → RDY/BSY data out on SO.

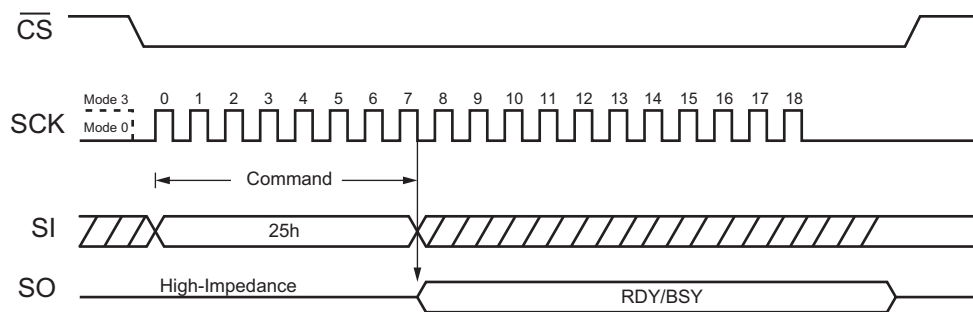


Figure 9. Active Status Interrupt Command

6.1.6 Write Status Register (01h)

The Write Status Register command allows the Status Registers to be written. Status Register 1 can be written by the Write Status Register 01h command; Status Register 2 be written by the Write Status Register 01h command. When the Write Status Register command 01h writes one byte data, it is written to Status Register 1. When the Write Status Register command 01h writes two bytes of data, the first byte data is written to Status Register 1, and the second byte data is written to Status Register 2. The writable Status Register bits include: SRP0, BP[4:0] in Status Register 1. All other Status Register bit locations are read-only and are not affected by the Write Status Register command. LB[3:1] are non-volatile OTP bits; once set to 1, they cannot be cleared to 0.

The Write Status Register (WRSR) command allows new values to be written to the Status Register. Before it can be accepted, a Write Enable (WREN) or Write Enable For Volatile SR command must previously have been executed. After the Write Enable (WREN) command has been decoded and executed, the device sets the Write Enable Latch (WEL).

The Write Status Register command has no effect on S15 (SUS), S1 (WEL), and S0 (RDY/BSY) of the Status Register. \overline{CS} must be driven high after the 8 or 16 bits of data have been latched in. If not, the Write Status Register (WRSR) command is not executed. As soon as \overline{CS} is driven high, the self-timed Write Status Register cycle (whose duration is t_W) is initiated. While the Write Status Register cycle is in progress, the Status Register can still be read to check the value of the Write In Progress (RDY/BSY) bit. The RDY/BSY bit is 1 during the self-timed Write Status Register cycle; it is 0 when it is completed. When the cycle is completed, the Write Enable Latch (WEL) is reset.

The Write Status Register command lets the user change the values of the Block Protect (BP4, BP3, BP2, BP1, and BP0) bits, to define the size of the area that is to be treated as read-only, as defined in Table 6 and Table 7. The Write Status Register (WRSR) command also lets the user set or reset the Status Register Protect (SRP1 and SRP0) bits in accordance with the Write Protect (\overline{WP}) signal. The Status Register Protect (SRP1 and SRP0) bits

and Write Protect (\overline{WP}) signal allow the device to be put in the Hardware Protected Mode. The Write Status Register command is not executed once the Hardware Protected Mode is entered.

The sequence of issuing WRSR command is: \overline{CS} goes low → sending WRSR opcode → Status Register data on SI → \overline{CS} goes high.

The \overline{CS} must go high exactly at the 8-bit or 16-bit data boundary; otherwise, the command is rejected. The self-timed Write Status Register cycle time (t_W) is initiated as soon as \overline{CS} goes high. The Ready/Busy (RDY/BSY) bit can be checked during the Write Status Register cycle is in progress. The RDY/BSY is set 1 during the t_W timing, and is set to 0 when the Write Status Register Cycle is completed and the Write Enable Latch (WEL) bit is reset.

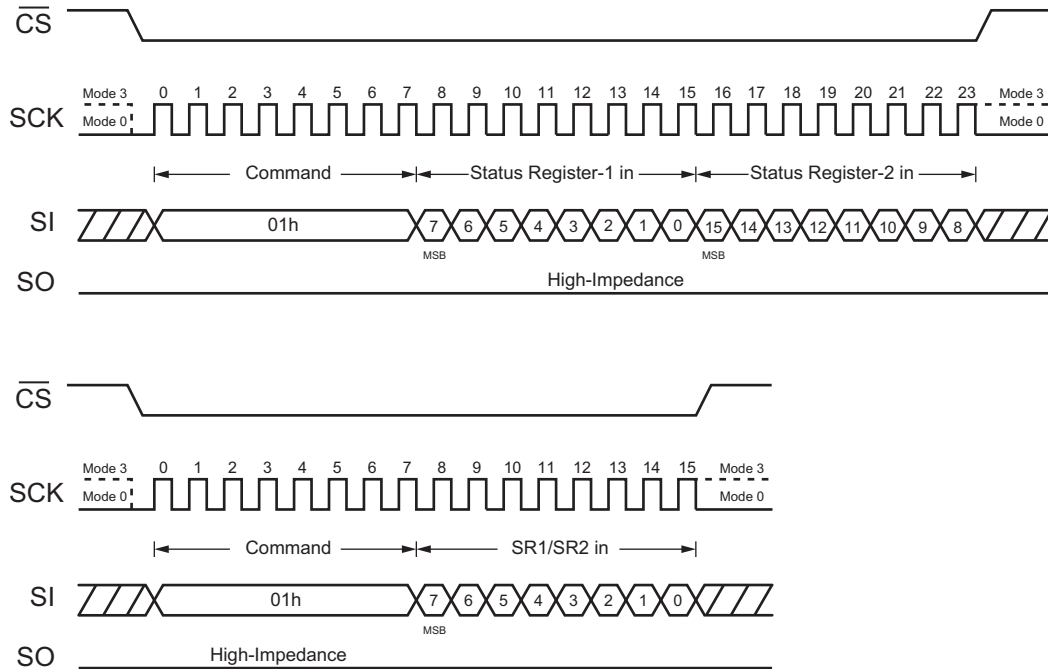


Figure 10. Write Status Register Command

6.2 Read Commands

6.2.1 Normal Read Data (03h)

The Read Data command allows one or more data bytes to be sequentially read from the memory. The command is initiated by driving the \overline{CS} pin low, then transferring the opcode 03h, followed by a 24-bit address (A23-A0), onto the SI pin. The code and address bits are latched on the rising edge of the SCK pin. After the address is received, the data byte of the addressed memory location is transferred out on the SO pin at the falling edge of SCK, with most significant bit (MSB) first. The address is automatically incremented to the next higher address after each byte of data is transferred out, allowing for a continuous stream of data. This means that the entire memory can be accessed with a single command as long as the clock continues. The command is completed by driving \overline{CS} high. The Read Data command sequence is shown in Figure 11. If a Read Data command is issued while an Erase, Program, or other Write cycle is in progress (RDY/BSY=1), the command is ignored and has no effect on the current cycle. The Read Data command allows a clock frequency up to a maximum of f_R (see Section 7.6, AC Characteristics).

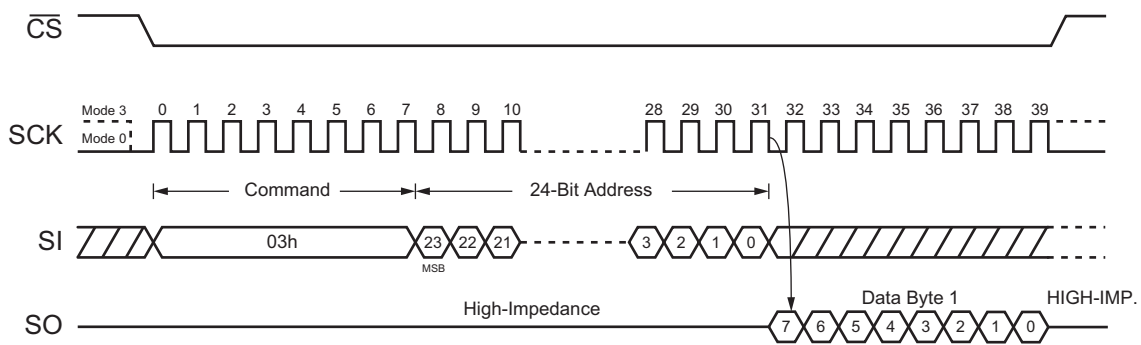


Figure 11. Read Data Command

6.2.2 Fast Read (0Bh)

The Fast Read command is similar to the Read Data command except that it can operate at the highest possible frequency of f_C (see Section 7.6, AC Characteristics). In standard SPI mode, this is done by adding eight dummy clocks after the 24-bit address, as shown in Figure 12. The dummy clocks allow the devices internal circuits additional time for setting up the initial address. During the dummy clocks the data value on the SO pin is a don't care.

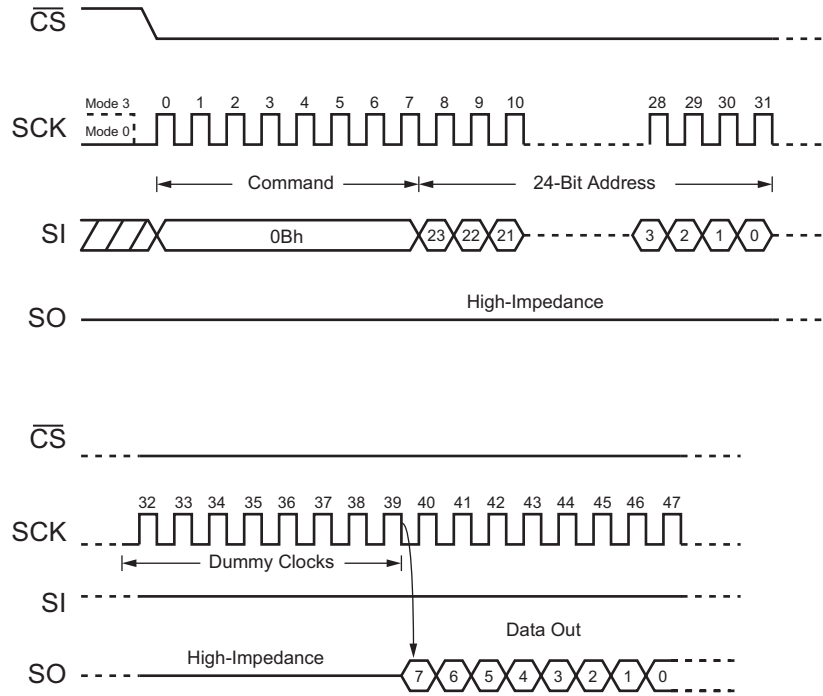


Figure 12. Fast Read Command

6.2.3 Fast Read Dual Output (3Bh)

The Dual-Output Read Array command is similar to the standard Read Array command. Unlike the standard Read Array command, the Dual-Output Read Array command allows two bits of data to be clocked out of the device on every clock cycle, rather than just one.

To perform the Dual-Output Read Array operation, the \overline{CS} pin must first be asserted; then, the opcode 3Bh must be clocked into the device. After the opcode has been clocked in, the three address bytes must be clocked in to specify the location of the first byte to read within the memory array. Following the three address bytes, a single dummy byte also must be clocked into the device.

After the three address bytes and the dummy byte have been clocked in, additional clock cycles output data on both the SO and SI pins. The data is output with the MSB of a byte first, and the MSB is output on the SO pin. During the first clock cycle, bit seven of the first data byte is output on the SO pin, while bit six of the same data byte is output on the SI pin. During the next clock cycle, bits five and four of the first data byte are output on the SO and SI pins, respectively. The sequence continues with each byte of data being output after every four clock cycles. When the last byte (07FFFFh) of the memory array has been read, the device continues reading from the beginning of the array (000000h). There are no delays when wrapping around from the end of the array to the beginning of the array. Deasserting the \overline{CS} pin terminates the read operation and puts the SO and SI pins into a high-impedance state. The \overline{CS} pin can be deasserted at any time and does not require that a full byte of data be read.

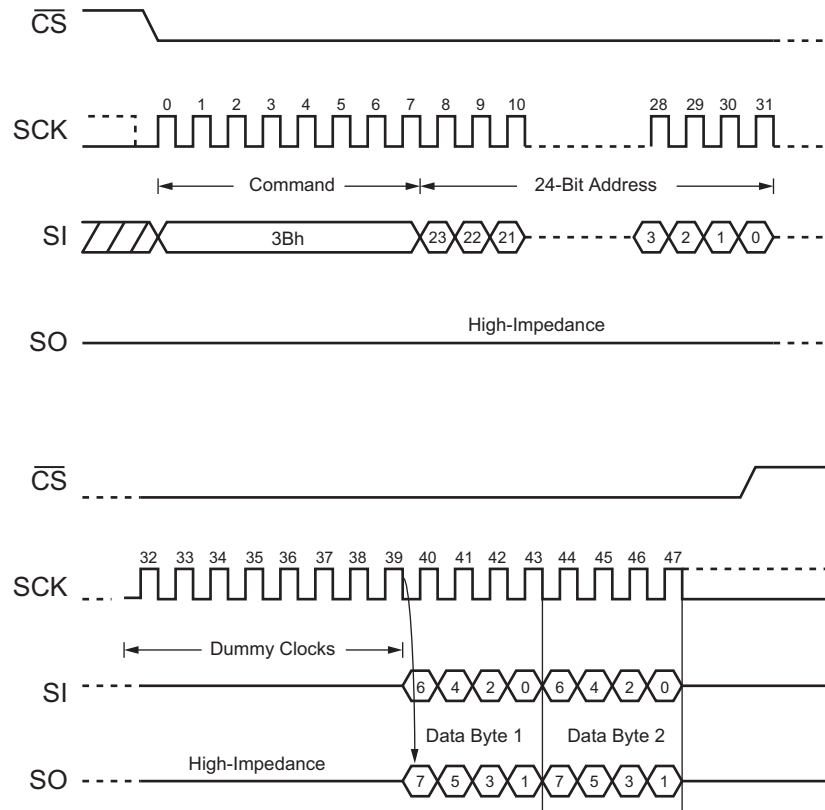


Figure 13. Fast Read Dual Output Command

6.2.4 Fast Read Dual I/O (BBh)

The Dual-I/O Fast Read Array command is similar to the Dual-Output Read Array command and can be used to sequentially read a continuous stream of data from the device by providing the clock pin once the initial starting address with two bits of address on each clock and two bits of data on every clock cycle.

To perform the Dual-I/O Fast Read Array operation, the \overline{CS} pin must first be asserted; then, the opcode BBh must be clocked into the device. After the opcode has been clocked in, the three address bytes must be clocked in to specify the location of the first byte to read within the memory array. Following the three address bytes, a single mode byte also must be clocked into the device.

After the three address bytes and the mode byte have been clocked in, additional clock cycles output data on both the SO and SI pins. The data is always output with the MSB of a byte first, and the MSB is always output on the SO pin. During the first clock cycle, bit seven of the first data byte is output on the SO pin, while bit six of the same data byte is output on the SI pin. During the next clock cycle, bits five and four of the first data byte are output on the SO and SI pins, respectively. The sequence continues with each byte of data output after every four clock cycles. When the last byte (07FFFFh) of the memory array has been read, the device continues reading from the beginning of the array (000000h). No delays are incurred when wrapping around from the end of the array to the beginning of the array. Deasserting the \overline{CS} pin terminates the read operation and puts the SO and SI pins into a high-impedance state. The \overline{CS} pin can be deasserted at any time and does not require that a full byte of data be read.

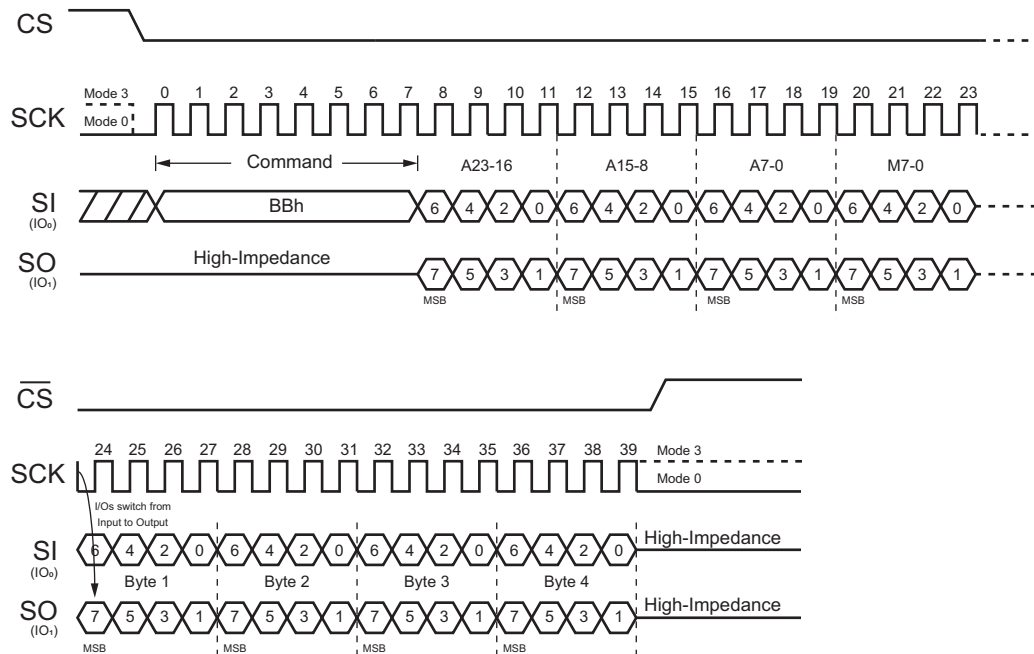


Figure 14. Fast Read Dual I/O Command (Initial command or previous M5-4≠10)

Fast Read Dual I/O with Continuous Read Mode

The Fast Read Dual I/O command can further reduce command overhead through setting the Continuous Read Mode bits (M7-0) after the input Address bits (A23-0), as shown in Figure 7-5. The upper nibble of M7-4 controls the length of the next Fast Read Dual I/O command through the inclusion, or exclusion, of the first byte command code. The lower nibble bits of M3-0 are don't care (x). However, the I/O pins must be high-impedance prior to the falling edge of the first data out clock. If the Continuous Read Mode bits M5-4 = (1,0), the next Fast Read Dual I/O command (after \overline{CS} is raised and then lowered) does not require the BBh command code. This reduces the command sequence by eight clocks and allows the Read address to be immediately entered after \overline{CS} is asserted low. If the Continuous Read Mode bits M5-4 do not equal to (1,0), the next command (after \overline{CS} is raised and then lowered) requires the first byte command code, thus returning to normal operation. A Continuous Read Mode Reset command can also be used to reset M7-0 before issuing normal commands.

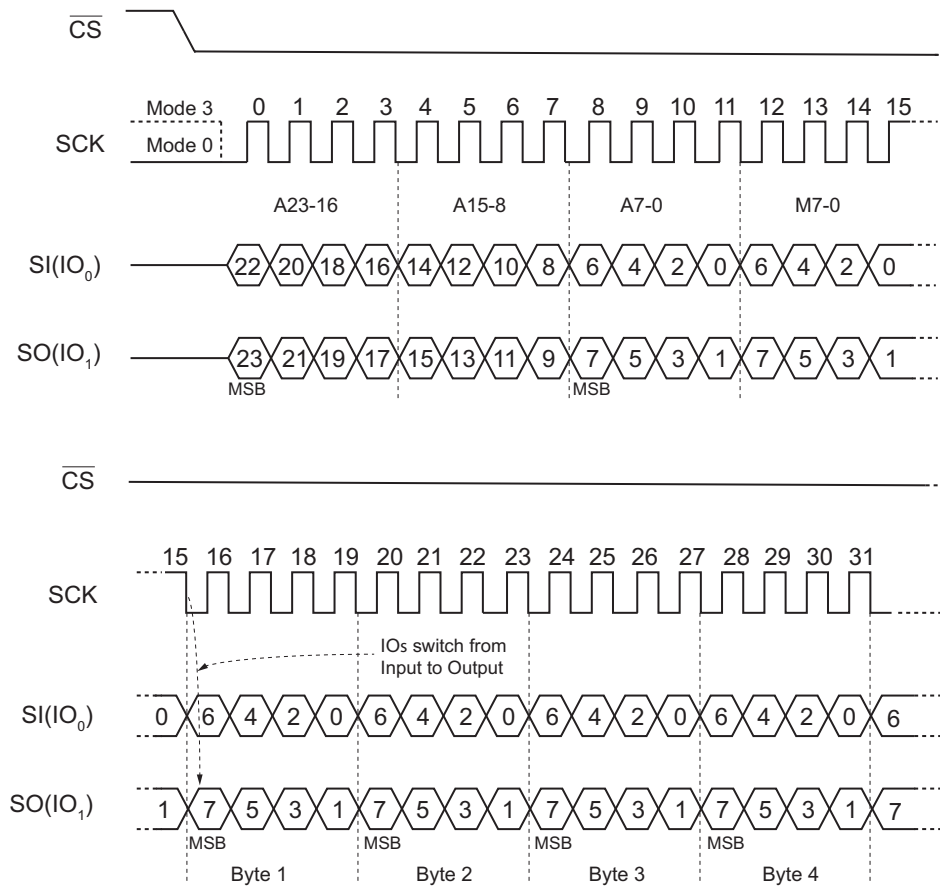


Figure 15. Fast Read Dual I/O Command (Previous command M5-4=10)

6.2.5 Fast Read Quad Output (6Bh)

The Quad-Output Fast Read Array command is followed by a three-byte address (A23 - A0) and one dummy byte, each bit being latched in during the rising edge of SCK; then, the memory contents are shifted out four bits per clock cycle from IO₃, IO₂, IO₁, and IO₀. The first byte addressed can be at any location. The address automatically increments to the next higher address after each byte of data is shifted out.

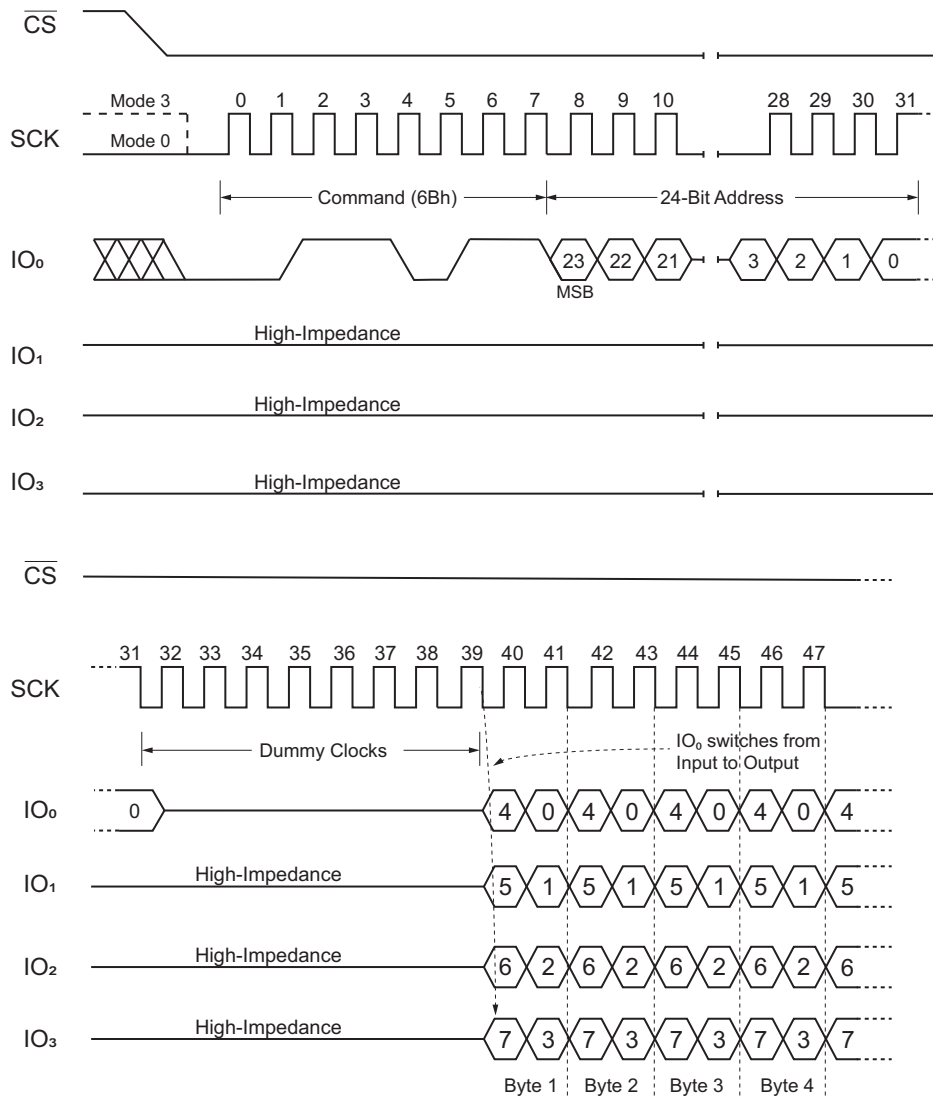


Figure 16. Fast Read Quad Output Command

6.2.6 Fast Read Quad I/O (EBh)

The Quad-I/O Fast Read Array command is similar to the Quad-Output Fast Read Array command. It allows four bits of address to be clocked into the device on every clock cycle, rather than just one.

To perform the Quad-I/O Read Array operation, the \overline{CS} pin must first be asserted; then, the opcode EBh must be clocked into the device. After the opcode has been clocked in, the three address bytes must be clocked in to specify the location of the first byte to read within the memory array. Following the three address bytes, a single mode byte must also be clocked into the device.

After the three address bytes, the mode byte and two dummy bytes have been clocked in, additional clock cycles output data on the IO₃₋₀ pins. The data is output with the MSB of a byte first, and the MSB is output on the IO₃ pin while bits 6, 5, and 4 of the same data byte are output on the IO₂, IO₁, and IO₀ pins, respectively. During the first clock cycle, bit 7 of the first data byte is output on the IO₃ pin while bits 6, 5, and 4 of the same data byte are output on the IO₂, IO₁, and IO₀ pins, respectively. During the next clock cycle, bits 3, 2, 1, and 0 of the first data byte are output on the IO₃, IO₂, IO₁, and IO₀ pins, respectively. The sequence continues with each byte of data being output after every two clock cycles.

When the last byte (07FFFFh) of the memory array has been read, the device continues reading from the beginning of the array (000000h). No delays are incurred when wrapping around from the end of the array to the beginning of the array. Deasserting the \overline{CS} pin terminates the read operation and puts the IO₃, IO₂, IO₁, and IO₀ pins into a high-impedance state. The \overline{CS} pin can be deasserted at any time and does not require a full byte of data to be read. The Quad Enable bit (QE) of the Status Register must be set to enable for the Quad-I/O Read Array command.

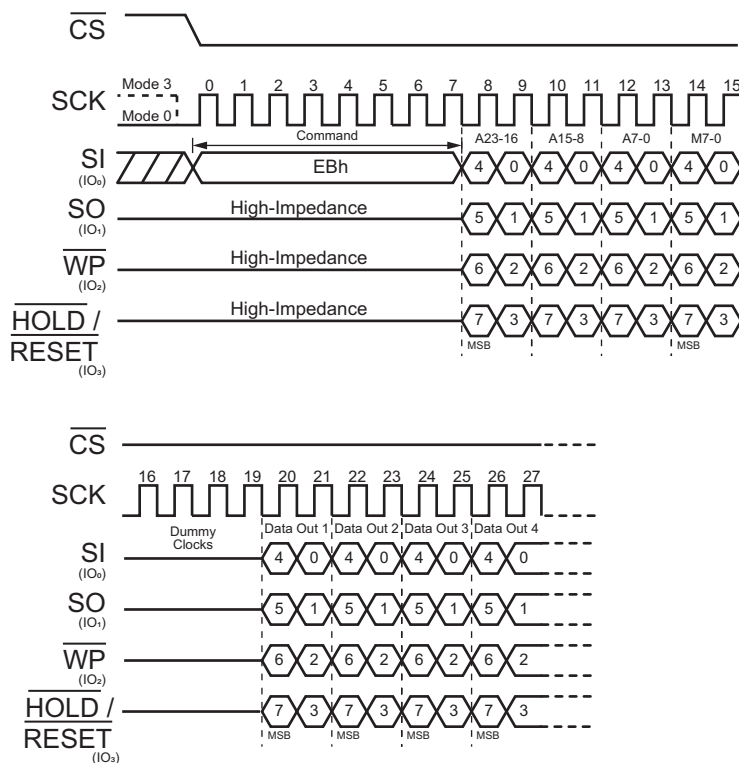


Figure 17. Fast Read Quad I/O Command (Initial command or previous M5-4#10)

Quad-I/O Fast Read Quad I/O with Continuous Read Mode

The Fast Read Quad I/O command can further reduce command overhead through setting the Continuous Read Mode bits (M7-0) after the input Address bits (A23-0), as shown in Figure 17. The upper nibble (M7-4) of the Continuous Read Mode bits controls the length of the next Fast Read Quad I/O command through the inclusion, or exclusion, of the first byte command code. The lower nibble bits (M3-0) of the Continuous Read Mode bits are don't care. However, the IO pins must be high-impedance before the falling edge of the first data out clock. If the Continuous Read Mode bits M5-4 = (1,0), the next Quad-I/O Read Array command (after \overline{CS} is raised and then

lowered) does not require the EBh command code, as shown in Figure 18. This reduces the command sequence by eight clocks and allows the Read address to be immediately entered after \overline{CS} is asserted low. If the Continuous Read Mode bits M5-4 do not equal to (1,0), the next command (after \overline{CS} is raised and then lowered) requires the first byte command code, thus returning to normal operation. A Continuous Read Mode Reset command can also be used to reset M7-0 before issuing normal commands.

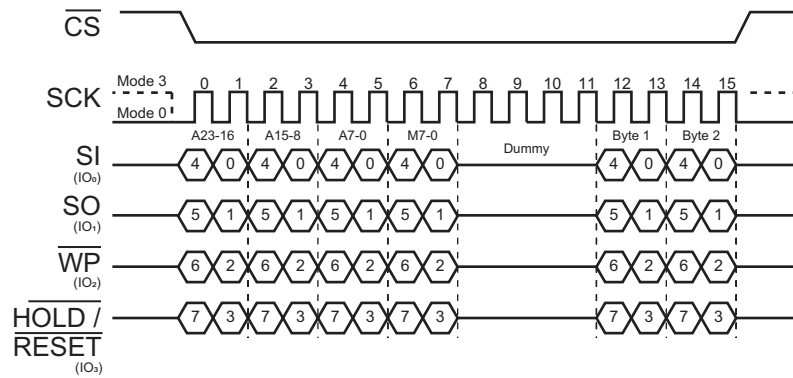


Figure 18. Fast Read Quad I/O Command (Previous command set M5-4=10)

6.2.7 Set Burst with Wrap (77h)

The Set Burst with Wrap command is used in conjunction with the Quad I/O Fast Read and Quad I/O Word Fast Read command to access a fixed length (8-, 16-, 32-, or 64-byte) section within a 256-byte page in standard SPI mode (see Table 9 and Figure 19).

Table 9. Wrap-Around Length Based on Wrap Bits

W6	W5	W4 = 0		W4 = 1 (default)	
		Wrap-Around	Wrap Length	Wrap-Around	Wrap Length
0	0	Yes	8-byte	No	N/A
0	1	Yes	16-byte	No	N/A
1	0	Yes	32-byte	No	N/A
1	1	Yes	64-byte	No	N/A

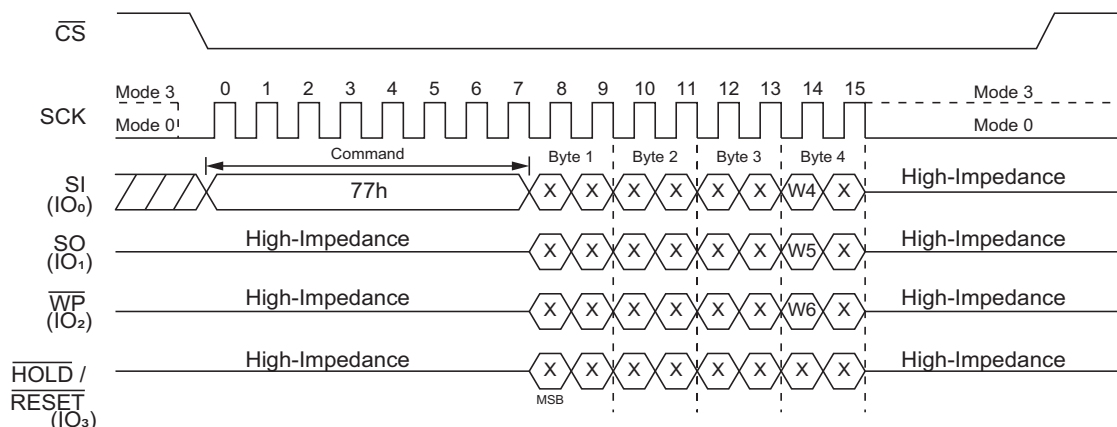


Figure 19. Set Burst with Wrap Command

The Set Burst with Wrap command sequence is: \overline{CS} goes low → Send Set Burst with Wrap command → Send 24 Dummy bits → Send 8 Wrap bits → \overline{CS} goes high.

If W6-4 is set by a Set Burst with Wrap command, all the following Fast Read Quad I/O and Word Read Quad I/O commands use the W6-4 setting to access the 8-, 16-, 32-, or 64-byte section within any page. To exit the Wrap-Around function and return to normal read operation, issue another Set Burst with Wrap command to set W4=1. The default value of W4 at power-on is 1.

6.3 ID and Power Commands

Three commands (9Fh/90h/ABh) are supported to access device identification that can indicate the manufacturer, device type, and capacity (density). The returned data bytes provide the information, as shown in Table 10.

Table 10. AT25EU0041A ID Definition Table

Command	Opcode	Mfg ID (Byte #1)	Device ID (Byte #2)	Device ID (Byte #3)
Read Manufacturing and Device ID	9Fh	1Fh	14h	01h
Read ID (Legacy Command)	90h	1Fh		14h
Read ID (Dual I/O)	92h	1Fh		14h
Read ID (Quad I/O)	94h	1Fh		14h
Resume from Deep Power-Down and Read Device ID	ABh			14h

6.3.1 Release Power-down / Device ID (ABh)

The Release from Power-down / Device ID command is a multi-purpose command. It can be used to release the device from the power-down state, or obtain the devices electronic identification (ID) number.

To release the device from the power-down state, the command is issued by driving the \overline{CS} pin low, transferring the opcode ABh and driving \overline{CS} high, as shown in Figure 20. Release from power-down takes the time of t_{RES1} (see Section 7.6, AC Characteristics) before the device resumes normal operation and other commands are accepted. The \overline{CS} pin must remain high during the t_{RES1} time.

When used only to obtain the Device ID while not in the power-down state, the command is initiated by driving the \overline{CS} pin low and transferring the opcode ABh, followed by three dummy bytes. The Device ID bits are then transferred out on the falling edge of SCK, with the most significant bit (MSB) first. The Device ID value for the AT25EU0041A is listed in Table 10. The Device ID can be read continuously. The command is completed by driving \overline{CS} high.

When used to release the device from the power-down state and obtain the Device ID, the command is the same as previously described and shown in Figure 21, except that after \overline{CS} is driven high it must remain high for a time of t_{RES2} (see Section 7.6, AC Characteristics). After this time, the device resumes normal operation, and other commands are accepted. If the Release from Power-down / Device ID command is issued while an Erase, Program, or Write cycle is in process (when RDY/BSY = 1) the command is ignored and has no effect on the current cycle.

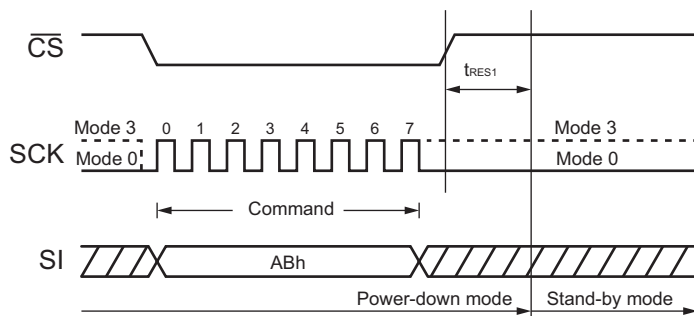


Figure 20. Release Power-Down Command

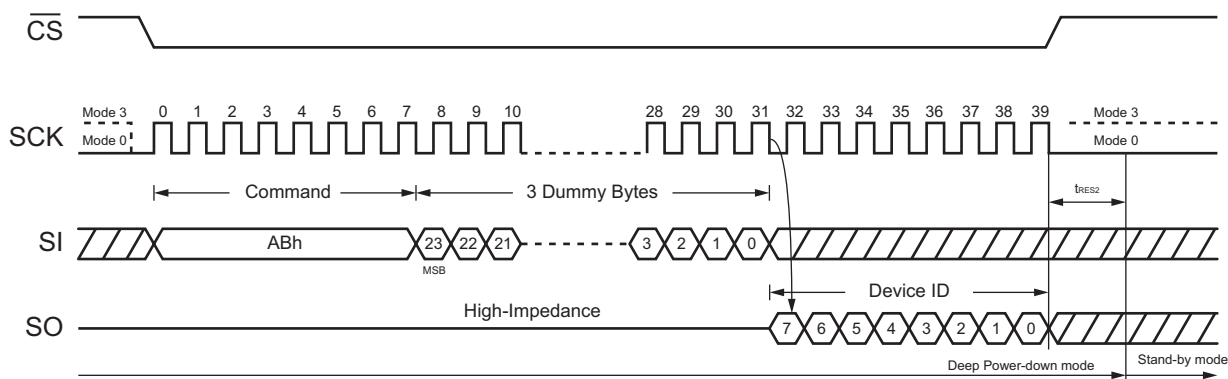


Figure 21. Release Power-Down / Device ID Command

6.3.2 Read Manufacturer / Device ID (90h)

The Read Manufacturer/Device ID command is an alternative to the Release from Power-down / Device ID command that provides both the JEDEC assigned manufacturer ID and the specific device ID.

The Read Manufacturer / Device ID command can operate at the highest possible frequency of f_C (see Section 7.6, AC Characteristics). The command is initiated by driving the \overline{CS} pin low and transferring the opcode 90h followed by a 24-bit address (A23-A0). After this, the Manufacturer ID for Dialog Semiconductor (1Fh) and the Device ID are transferred out on the falling edge of SCK, with most significant bit (MSB) first, as shown in Section 22, Read Manufacturer / Device ID Command. The Device ID values for the AT25EU0041A are listed in Table 10. The address A23-A1 is an unrelated item and has no effect on the result of the command. If the A0 is initially set to 1, the Device ID is read first and then followed by the Manufacturer ID. If the A0 is initially set to 0 the Manufacturer ID is read first and then followed by the Device ID. The Manufacturer and Device IDs can be read continuously, alternating from one to the other. The command is completed by driving \overline{CS} high.

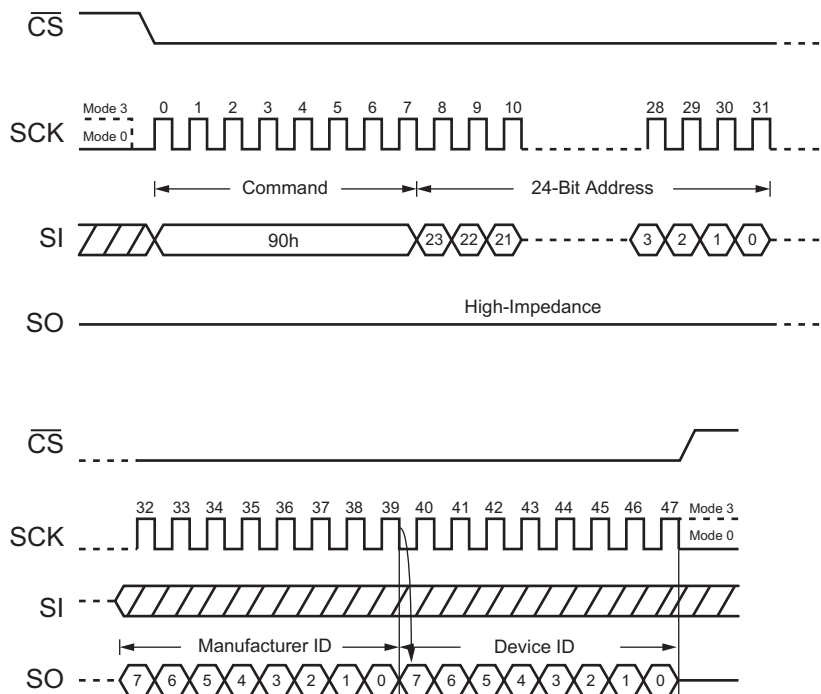


Figure 22. Read Manufacturer / Device ID Command

6.3.3 Dual I/O Read Manufacture ID/ Device ID (92h)

The Dual I/O Read Manufacturer/Device ID instruction is an alternative to the Release from Power-Down/Device ID instruction that provides both the JEDEC-assigned Manufacturer ID and the specific Device ID by Dual I/O.

The instruction is initiated by driving the \overline{CS} pin low and shifting the instruction code 92h, followed by a 24-bit address (A23 - A0) of 000000h. If the 24-bit address is initially set to 000001h, the Device ID is read first.

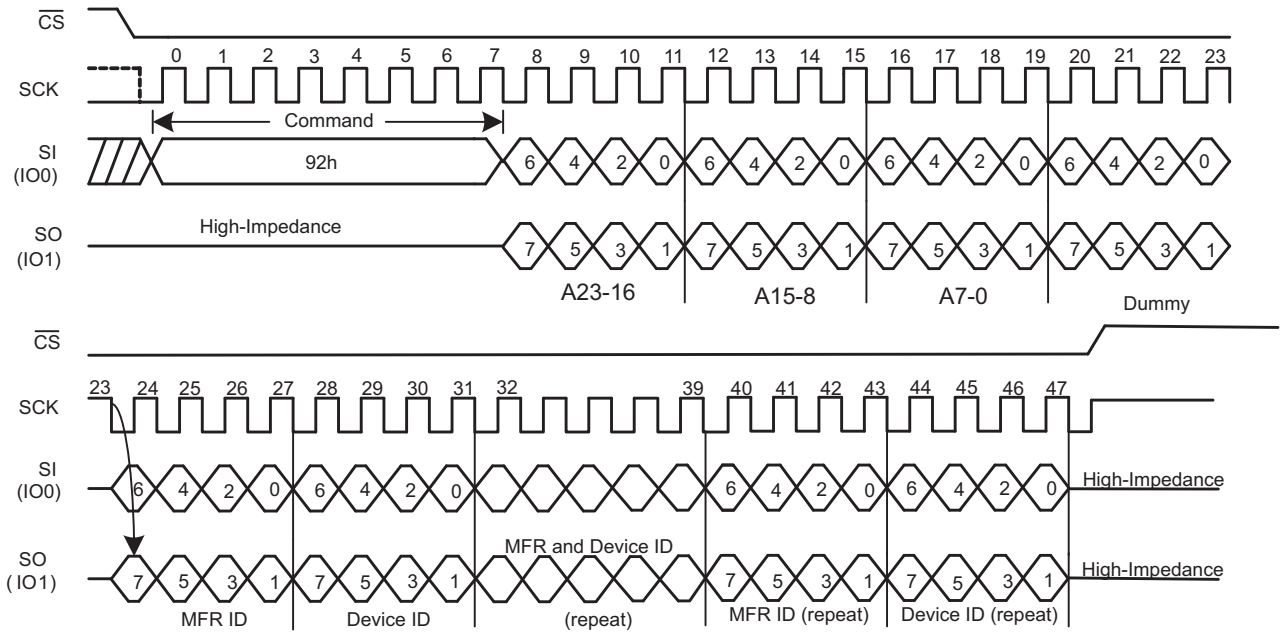


Figure 23. Dual I/O Read Manufacture ID/ Device ID Timing

6.3.4 Quad I/O Read Manufacture ID / Device ID (94h)

The Quad I/O Read Manufacturer/Device ID instruction is an alternative to the Release from Power-Down/Device ID instruction that provides both the JEDEC assigned Manufacturer ID and the specific Device ID by quad I/O.

The instruction is initiated by driving the \overline{CS} pin low and shifting the instruction code 94h, followed by a 24-bit address (A23 - A0) of 000000h and four dummy clocks. If the 24-bit address is initially set to 000001h, the Device ID is read out first.

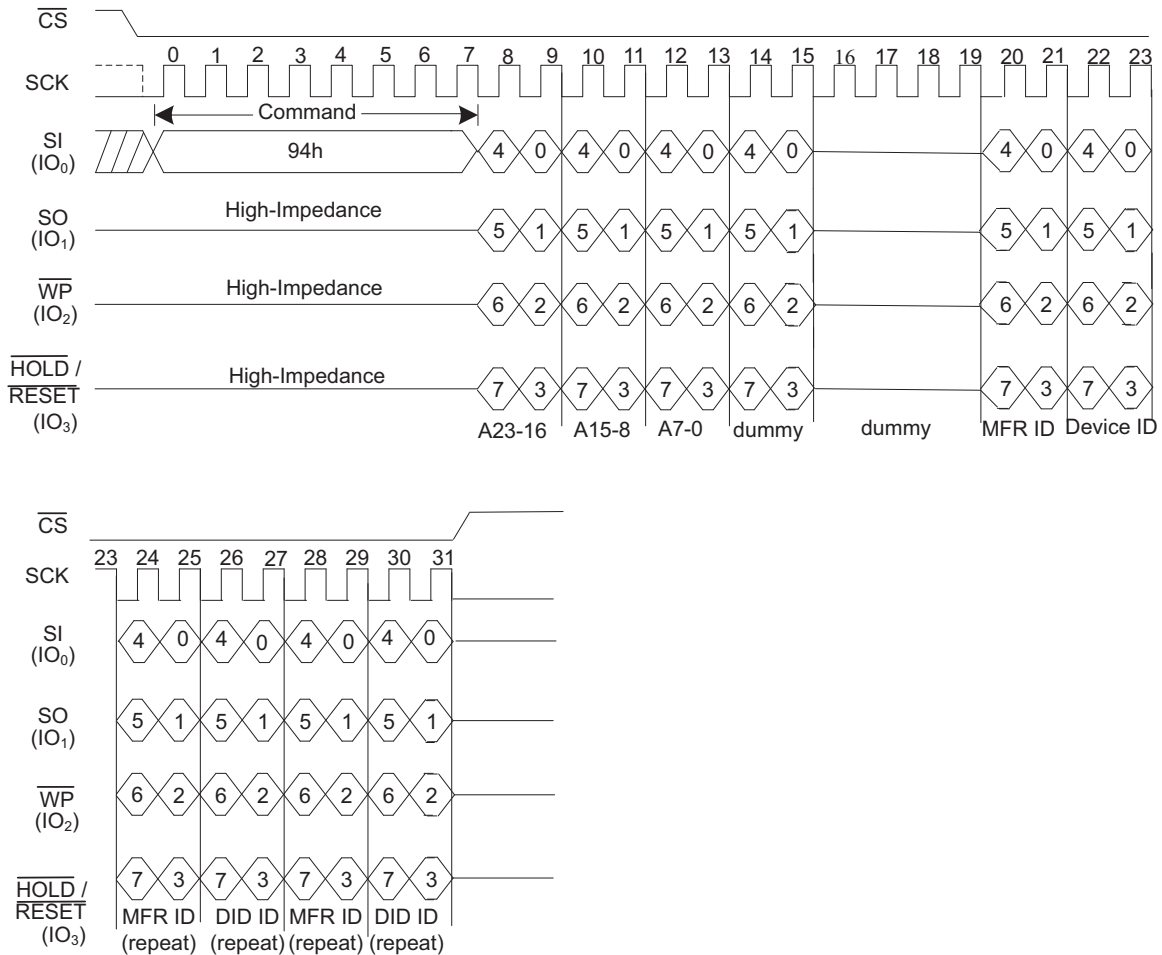


Figure 24. Quad I/O Read Manufacture ID / Device ID Sequence Diagram

6.3.5 Read JEDEC ID (9Fh)

The Read JEDEC ID command can operate at the highest possible frequency of f_C (see [Section 7.6, AC Characteristics](#)). For compatibility reasons, the AT25EU0041A provides several commands to electronically determine the identity of the device. The Read JEDEC ID command is compatible with the JEDEC standard for SPI-compatible serial memories that was adopted in 2003. The command is initiated by driving the \overline{CS} pin low and transferring the opcode 9Fh. The JEDEC assigned Manufacturer ID byte for Dialog Semiconductor (1Fh) and two Device ID bytes are then transferred out on the falling edge of SCK, with the most significant bit (MSB) first (see [Figure 25](#)). For memory type and capacity values, see [Figure 10](#).

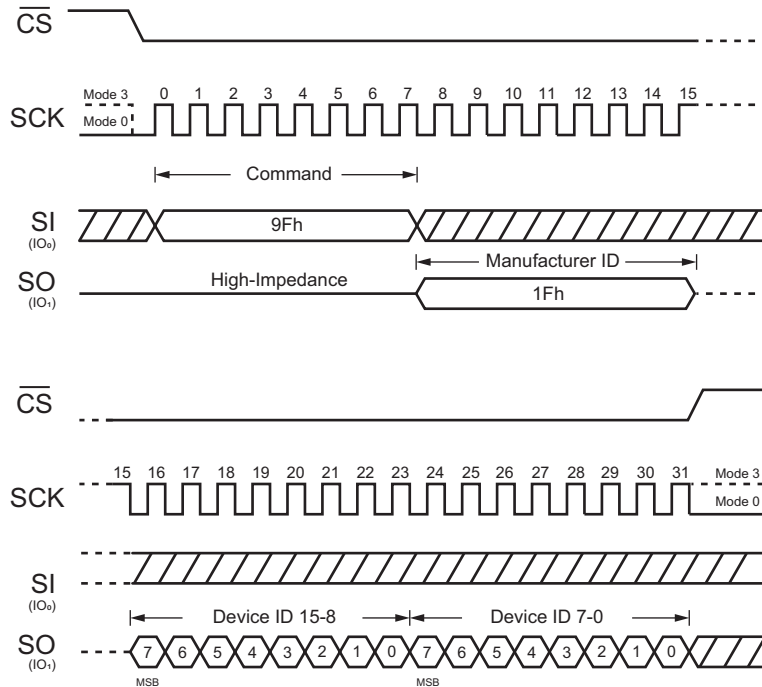


Figure 25. Read JEDEC ID Command

6.3.6 Read Unique ID Number (4Bh)

The Read Unique ID Number command can operate at the highest possible frequency of f_C (see Section 7.6, AC Characteristics). The Read Unique ID Number command accesses a factory-set, read-only, 128-bit number that is unique to each AT25EU0041A device. The ID number can be used in conjunction with user software methods to help prevent copying or cloning of a system. The Read Unique ID command is initiated by driving the \overline{CS} pin low and transferring the opcode 4Bh, followed by a four bytes of dummy clocks. After this, the 128-bit ID is transferred out on the falling edge of SCK, as shown in Figure 26.

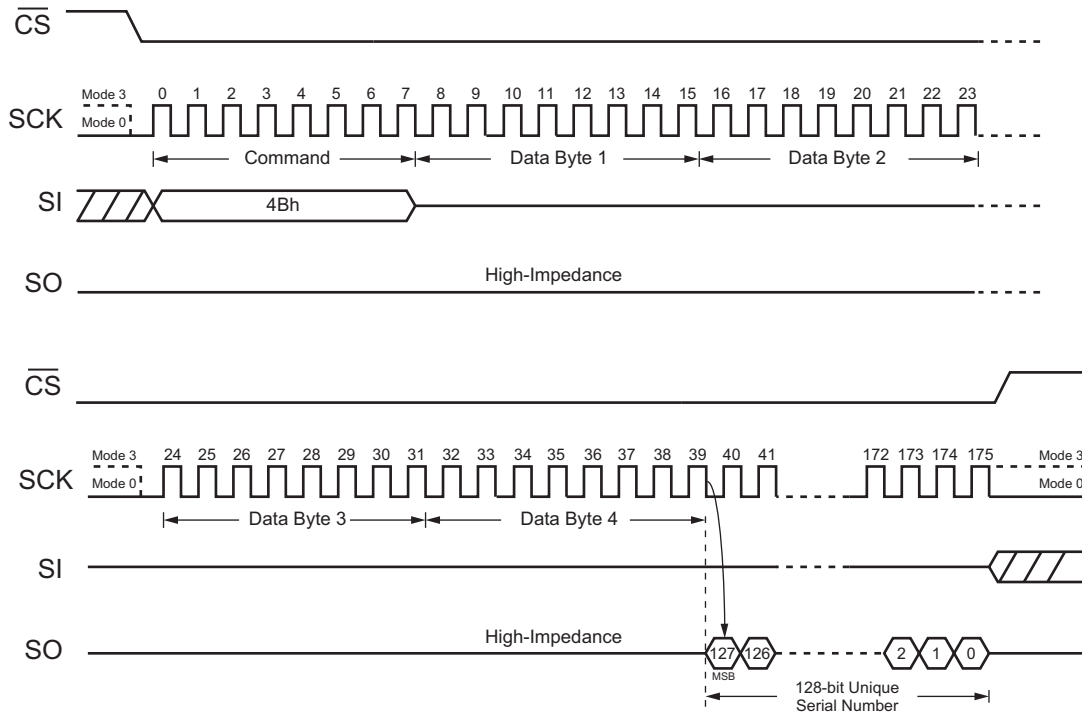


Figure 26. Read Unique ID Sequence Diagram

6.3.7 Deep Power-Down (B9h)

Although the standby current during normal operation is relatively low, it can be reduced further with the Power-down command. The lower power consumption makes the Power-down command especially useful for battery-powered applications (see ICC1 and ICC2 in Section 7.4, DC Characteristics). The command is initiated by driving the \overline{CS} pin low and transferring the opcode B9h, as shown in Figure 27. The \overline{CS} pin must be driven high after the eighth bit has been latched. If this is not done, the Power-down command is not executed. After \overline{CS} is driven high, the power-down state is entered within the time of t_{DP} (see Section 7.6, AC Characteristics). While in the power-down state, only the Release Power-down / Device ID (ABh) command, which restores the device to normal operation, is recognized. All other commands are ignored. This includes the Read Status Register command, which is always available during normal operation. Ignoring all but one command makes the power-down state a useful condition for securing maximum write-protection. The device always powers-up in the normal operation with the standby current of ICC1

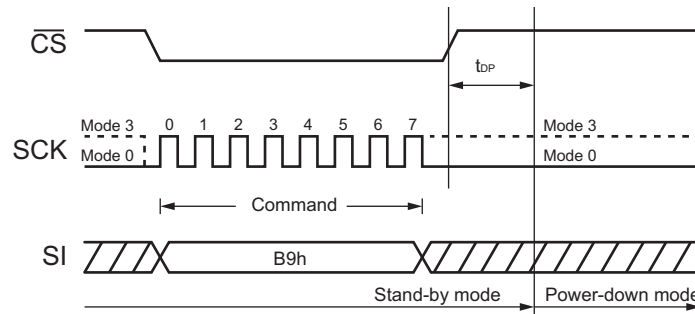


Figure 27. Deep Power-Down Command

6.4 Program / Erase and Security Commands

6.4.1 Page Program (02h)

The Page Program command allows from one to 256 bytes (a page) of data to be programmed at previously erased (FFh) memory locations. A Write Enable command must be executed before the device can accept the Page Program command (Status Register bit WEL= 1). The command is initiated by driving the \overline{CS} pin low then transferring the opcode 02h, followed by a 24-bit address (A23-A0) and at least one data byte, onto the SI pin. The \overline{CS} pin must be held low for the entire length of the command while data is being sent to the device. The Page Program command sequence is shown in Figure 28. If more than 256 bytes are sent to the device, previously latched data are discarded, and the last 256 data bytes are guaranteed to be programmed correctly within the same page. If less than 256 data bytes are sent to device, they are correctly programmed at the requested addresses without having any effects on the other bytes of the same page. \overline{CS} must be driven high after the eighth bit of the last data byte has been latched in; otherwise, the Page Program command is not executed. As with the write and erase commands, the \overline{CS} pin must be driven high after the eighth bit of the last byte has been latched. If this is not done, the Page Program command is not executed. After \overline{CS} is driven high, the self-timed Page Program command commences for a time of t_{PP} (see Section 7.6, AC Characteristics). While the Page Program cycle is in progress, the Read Status Register command can be accessed for checking the status of the RDY/BSY bit. The RDY/BSY bit is a 1 during the Page Program cycle; it becomes a 0 when the cycle is finished and the device is ready to accept other commands. After the Page Program cycle has finished the Write Enable Latch (WEL) bit in the Status Register is cleared to 0. The Page Program command is not executed if the addressed page is protected by the Block Protect (BP4, BP3, BP2, BP1, and BP0) bits.

WARNING: Programming a memory location that was not previously erased can result in corruption of the data and is not recommended. Data should be programmed only to erased locations.

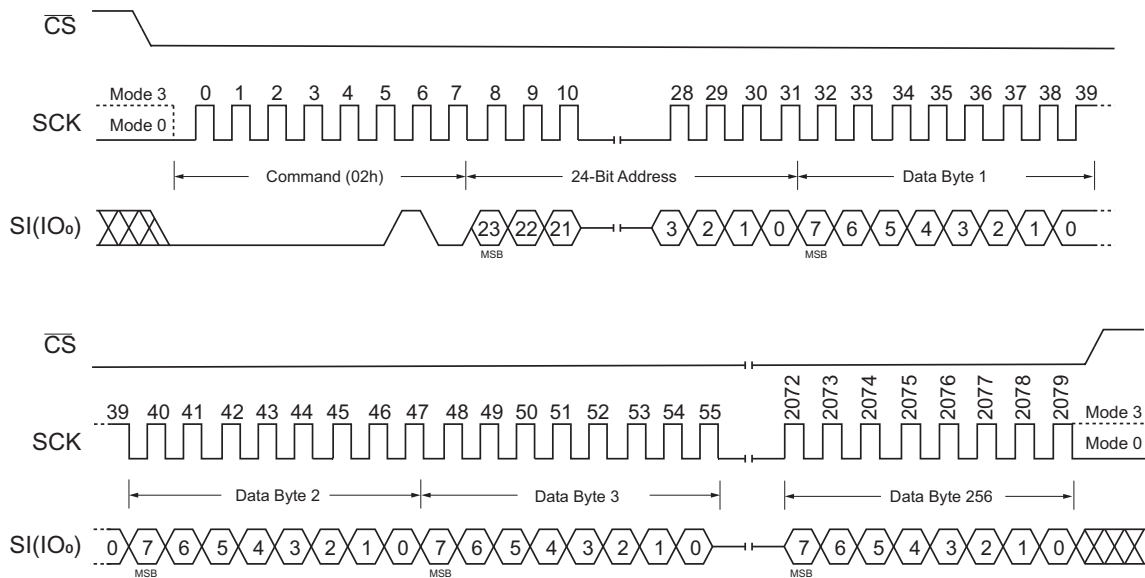


Figure 28. Page Program Command

6.4.2 Dual Page Program (A2h)

This command allows up to 256 bytes of data to be programmed at previously erased (FFh) memory locations using the SI SO pins. The Dual Page Program can improve performance for PROM Programmer and applications that have slow clock speeds <5MHz. Systems with faster clock speed do not realize much benefit from this command since the inherent page program time is much longer than the time it takes to clock in the data.

A Write Enable command must be executed before the device can accept the Dual Page Program command (Status Register 1, WEL=1). The command is initiated by driving the \overline{CS} pin low, then shifting the opcode A2h, followed by a 24-bit address (A23-A0) and at least one data byte, into the IO pins. The \overline{CS} pin must be held low for the entire length of the command while data is being sent to the device. All other functions of Dual input Page Program are identical to standard Page Program.

WARNING: Programming a memory location that was not previously erased can result in corruption of the data and is not recommended. Data should be programmed only to erased locations.

The Dual Page Program instruction sequence is shown in Figure 29.

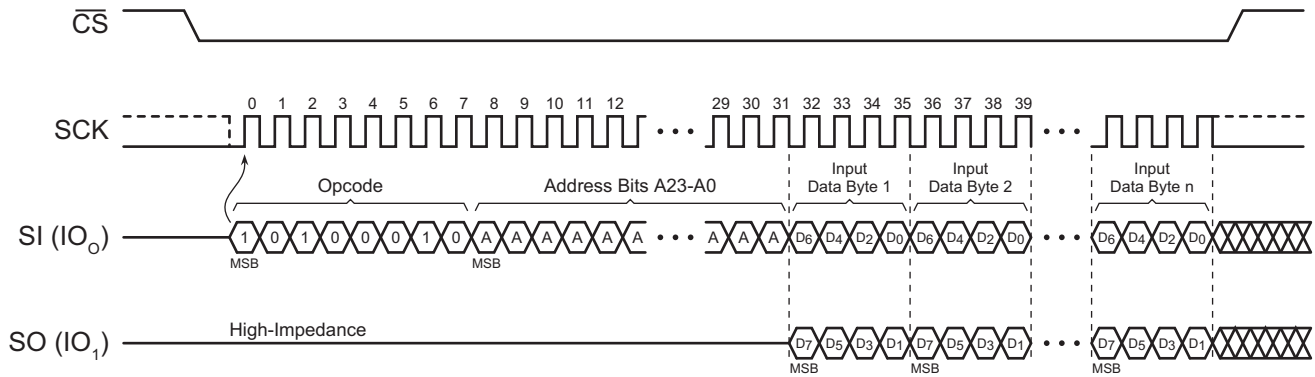


Figure 29. Dual Page Program Command

6.4.3 Quad Page Program (32h)

The Quad Page Program command allows up to 256 bytes of data to be programmed at previously erased (FFh) memory locations using the SI, SO, \overline{WP} , and \overline{HOLD} pins. The Quad Page Program can improve performance for PROM Programmer and applications that have slow clock speeds <5 MHz. Systems with faster clock speed do not realize much benefit for the Quad Page Program command since the inherent page program time is much longer than the time it take to clock-in the data.

To use Quad Page Program, the Quad Enable (QE) bit in Status Register 2 must be set to 1. A Write Enable command must be executed before the device can accept the Quad Page Program command (Status Register 1, WEL=1). The command is initiated by driving the \overline{CS} pin low, then shifting the opcode 32h, followed by a 24-bit address (A23-A0) and at least one data byte, into the IO pins. The \overline{CS} pin must be held low for the entire length of the command while data is being sent to the device. All other functions of Quad Page Program are identical to standard Page Program.

WARNING: Programming a memory location that was not previously erased can result in corruption of the data and is not recommended. Data should be programmed only to erased locations.

The Quad Page Program command sequence is shown in Figure 30.

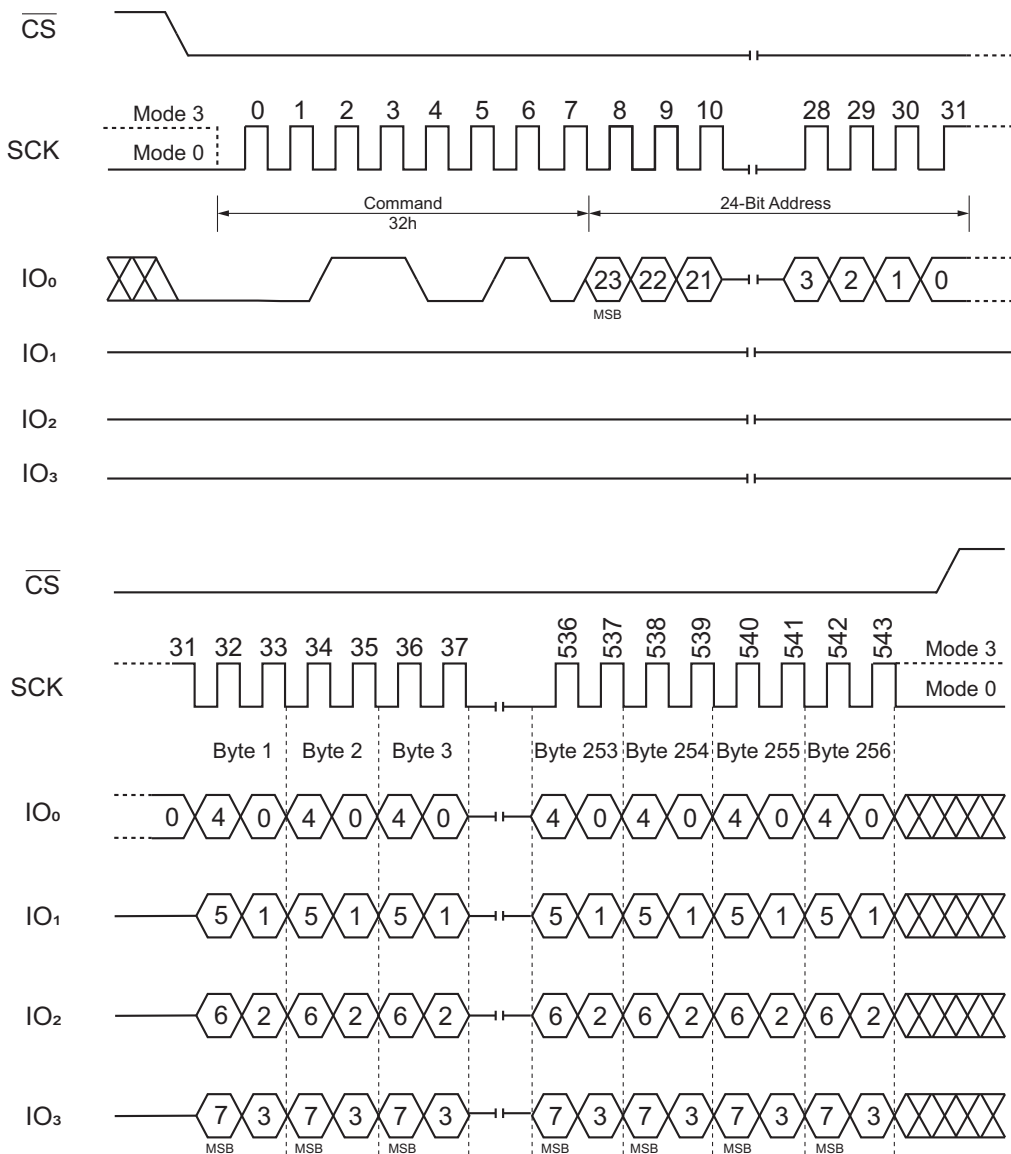


Figure 30. Quad Input Page Program Command

6.4.4 Page Erase (81h/DBh)

The Page Erase (PE) command erases the data of the chosen Page to be logical 1. A Write Enable (WREN) command must execute to set the Write Enable Latch (WEL) bit before sending the Page Erase (PE). To perform a Page Erase with the standard page size (256 bytes), clock the opcode 81h or DBh into the device, followed by three address bytes comprised of two page address bytes that specify the page in the main memory to be erased. The address A7-A0 is an unrelated item.

The sequence of issuing PE command is: \overline{CS} goes low → sending PE opcode → three-byte address on SI → \overline{CS} goes high.

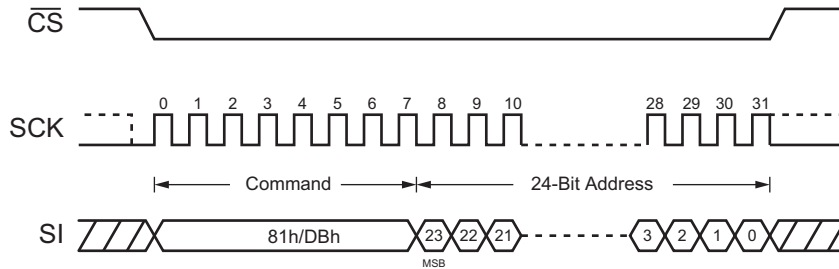


Figure 31. Page Erase Command

6.4.5 4 kB Block Erase (20h)

This command sets all memory within a specified block (4 kB) to the erased state of all 1s (FFh). A Write Enable command must be executed before the device can accept the 4 kB Block Erase command (Status Register bit WEL must equal 1). The command is initiated by driving the \overline{CS} pin low and transferring the opcode 20h, followed a 24-bit block address. The address A11-A0 is an unrelated item and has no effect on the result of the command. The 4 kB Block Erase command sequence is shown in Figure 32.

The \overline{CS} pin must be driven high after the eighth bit of the last byte has been latched. If this is not done, the 4 kB Block Erase command is not executed. After \overline{CS} is driven high, the self-timed 4 kB Block Erase command commences for a time of t_{SE} (see Section 7.6, AC Characteristics). While the Block Erase cycle is in progress, the Read Status command can still be accessed for checking the status of the RDY/BSY bit. The RDY/BSY bit is a 1 during the Block Erase cycle; it becomes a 0 when the cycle is finished and the device is ready to accept other commands. After the Block Erase cycle has finished, the Write Enable Latch (WEL) bit in the Status Register is cleared to 0. The Block Erase command is not executed if the addressed page is protected by the Block Protect (BP4, BP3, BP2, BP1, and BP0) bits.

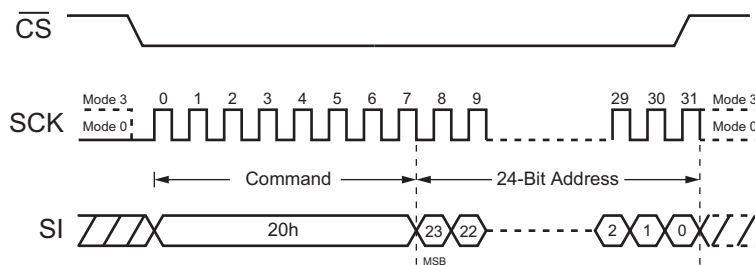


Figure 32. 4 kB Block Erase Command

6.4.6 32 kB Block Erase (52h)

The 32 kB Block Erase command sets all memory within a specified block (32 kB) to the erased state of all 1s (FFh). A Write Enable command must be executed before the device can accept the 32 kB Block Erase command (Status Register bit WEL must equal 1). The command is initiated by driving the \overline{CS} pin low and transferring the opcode 52h followed a 24-bit block address (A23-A0). The address A14-A0 is an unrelated item and has no effect on the result of the command. The Block Erase command sequence is shown in Figure 33.

The \overline{CS} pin must be driven high after the eighth bit of the last byte has been latched. If this is not done, the 32 kB Block Erase command is not executed. After \overline{CS} is driven high, the self-timed 32 kB Block Erase command commences for a time duration of t_{BE1} (see Section 7.6, AC Characteristics). While the 32 kB Block Erase cycle is in progress, the Read Status Register command can still be accessed for checking the status of the RDY/BSY bit. The RDY/BSY bit is a 1 during the 32 kB Block Erase cycle and becomes a 0 when the cycle is finished and the device is ready to accept other commands. After the 32 kB Block Erase cycle has finished the Write Enable Latch (WEL) bit in the Status Register is cleared to 0. The 32 kB Block Erase command is not executed if the addressed page is protected by the Block Protect (BP4, BP3, BP2, BP1, and BP0) bits.

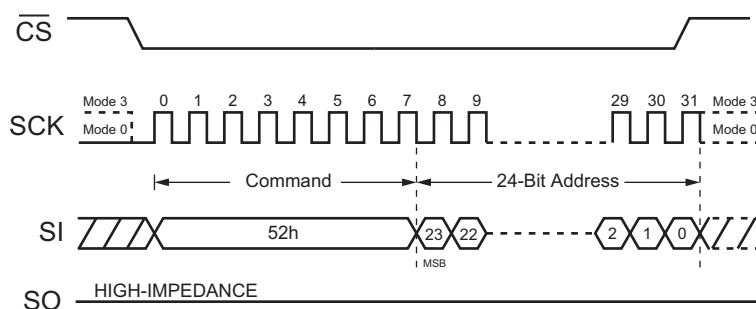


Figure 33. 32 kB Block Erase Command

6.4.7 64 kB Block Erase (D8h)

The 64 kB Block Erase command sets all memory within a specified block (64K-bytes) to the erased state of all 1s (FFh). A Write Enable command must be executed before the device can accept the 64 kB Block Erase command (Status Register bit WEL must equal 1). The command is initiated by driving the \overline{CS} pin low and transferring the opcode D8h, followed a 24-bit block address (A23-A0). The address A15-A0 is an unrelated item and has no effect on the result of the command. The 64 kB Block Erase command sequence is shown in Figure 34.

The \overline{CS} pin must be driven high after the eighth bit of the last byte has been latched. If this is not done, the 64 kB Block Erase command is not executed. After \overline{CS} is driven high, the self-timed 64 kB Block Erase command commences for a time of t_{BE2} (see Section 7.6, AC Characteristics). While the 64 kB Block Erase cycle is in progress, the Read Status Register command can be accessed for checking the status of the RDY/BSY bit. The RDY/BSY bit is 1 during the 64 kB Block Erase cycle; it becomes a 0 when the cycle is finished and the device is ready to accept other commands. After the 64 kB Block Erase cycle has finished, the Write Enable Latch (WEL) bit in the Status Register is cleared to 0. The 64 kB Block Erase command is not executed if the addressed page is protected by the Block Protect (BP4, BP3, BP2, BP1, and BP0) bits.

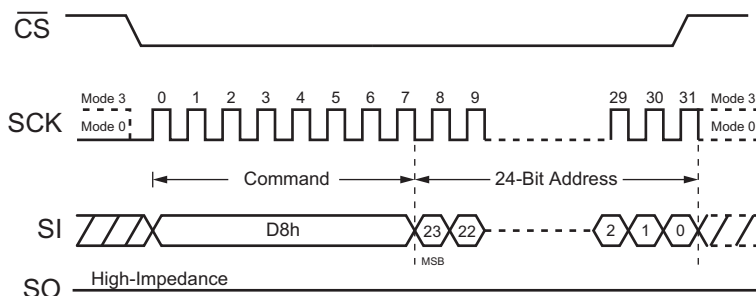


Figure 34. 64 kB Block Erase Command

6.4.8 Chip Erase (C7h / 60h)

The Chip Erase command sets all memory within the device to the erased state of 1s (FFh). A Write Enable command must be executed before the device can accept the Chip Erase command (Status Register bit WEL must equal 1). The command is initiated by driving the \overline{CS} pin low and transferring the opcode C7h or 60h. The Chip Erase command sequence is shown in Figure 35.

The \overline{CS} pin must be driven high after the eighth bit has been latched. If this is not done, the Chip Erase command is not executed. After \overline{CS} is driven high, the self-timed Chip Erase command commences for a time of t_{CE} (see Section 7.6, AC Characteristics). While the Chip Erase cycle is in progress, the Read Status Register command can still be accessed to check the status of the RDY/BSY bit. The RDY/BSY bit = 1 during the Chip Erase cycle; it becomes a 0 when finished and the device is ready to accept other commands. After the Chip Erase cycle has finished, the Write Enable Latch (WEL) bit in the Status Register is cleared to 0. The Chip Erase command is not executed if any memory region is protected by the Block Protect (BP4, BP3, BP2, BP1, and BP0) bits.

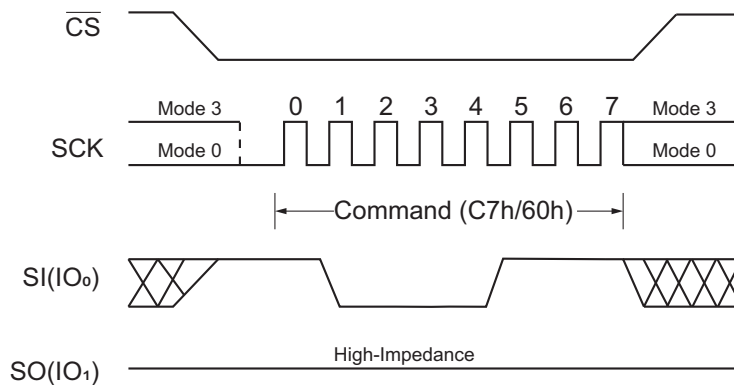


Figure 35. Chip Erase Command

6.4.9 Program/Erase Suspend (75h)

The Program/Erase Suspend command 75h allows the system to interrupt a Page Program or a Page/4K/32K/64K Block Erase operation and then read data from any other block. After the program or erase operation has entered the suspended state, the memory array can be read except for the page being programmed or the page/block being erased. And after the erase operation has entered the suspended state, the memory array can be programmed (except for the page/block being erased). Write status register operation cannot be suspended. The Erase/Program security registers operation cannot be suspended. The Program/Erase Suspend command sequence is shown in Figure 36.

Table 11. Readable Area of Memory While a Program or Erase Operation is Suspended

Suspended Operation	Readable Region Of Memory Array
Page Program	All but the Page being programmed.
Dual Page Program	All but the Page being programmed.
Quad Page Program	All but the Page being programmed.
Page Erase	All but the Page being Erased.
Block Erase(4 kB)	All but the 4 kB Block being Erased.
Block Erase(32 kB)	All but the 32 kB Block being Erased.
Block Erase(64 kB)	All but the 64 kB Block being Erased.

When the Serial NOR Flash receives the Suspend command, there is a latency of t_{PSL} or t_{ESL} before the Write Enable Latch (WEL) bit clears to 0 and the SUS sets to 1. After the latency, the device is ready to accept one of the commands listed in Table 8 (for example: FAST READ). See Section 7.6, AC Characteristics for t_{PSL} and t_{ESL} timings. Table 13 lists the commands for which the t_{PSL} and t_{ESL} latencies do not apply. For example, 05h, 48h, 66h, and 99h can be issued at any time after the Suspend command. Status Register bit 15 (SUS) can be read to

check the suspend status. The SUS sets to 1 when a program or erase command is suspended. The SUS clears to 0 when the program or erase command is resumed.

Table 12. Acceptable Commands During Program/Erase Suspend After t_{PSL}/t_{ESL}

Command Name	Opcode	Suspend Type	
		Program	Erase
Read Data	03h	*	*
Fast Read	0Bh	*	*
Dual Output Fast Read	3Bh	*	*
Dual I/O Fast Read	BBh	*	*
Quad Output Fast Read	6Bh		
Quad I/O Fast Read	EBh		
Read SFDP	5Ah	*	*
Read JEDEC ID	9Fh	*	*
Mftr./Device ID	90h	*	*
Read Security Registers	48h	*	*
Set Burst with Wrap	77h	*	*
Write Enable	06h		*
Write Disable	04h	*	*
Program/Erase Resume	7Ah	*	*
Page Program	02h		*
Dual Page Program	A2h		*
Quad Page Program	32h		*
Release Power-Down/Device ID	ABh	*	*

Table 13. Acceptable Commands During Suspend (t_{PSL}/t_{ESL} Not Required)

Command Name	Opcode	Suspend Type	
		Program	Erase
Read Status Register 1	05h	*	*
Read Status Register 2	35h	*	*
Active Status Interrupt	25h	*	*
Enable Reset	66h	*	*
Reset Device	99h	*	*

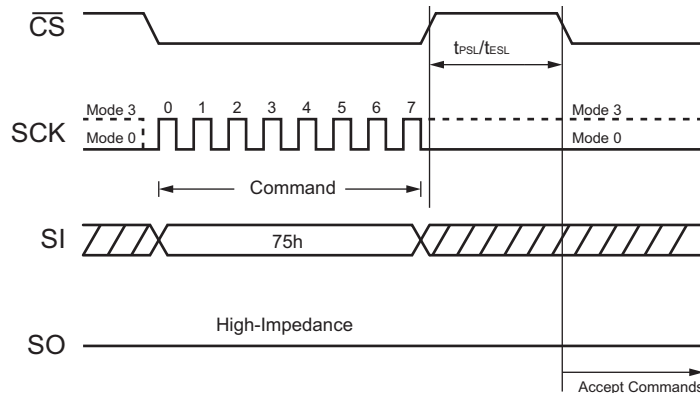


Figure 36. Program/Erase Suspend Command

Note:

An erase operation can be suspended and resumed multiple times; however, to guarantee the completion of the erase operation, it is required to maintain at least 12 ms between one of these resume commands and the following suspend command.

A program operation can be suspended and resumed multiple times; however, to guarantee the completion of the program operation, it is required to maintain at least 3 ms between one of these resume commands and the following suspend command.

6.4.10 Program/Erase Resume (7Ah)

The Program/Erase Resume command 7Ah must be written to resume the Program or Page/Block Erase operation after the Program/Erase Suspend. The Program/Erase Resume command 7Ah is accepted by the device only if the SUS bit in the Status Register is 1 and the RDY/BSY bit is 0. After the command is issued, the SUS bit is cleared from 1 to 0, the RDY/BSY bit is set from 0 to 1 within 200 ns, and the Page, or 4/32/64 kB block completes the program/erase operation. If the SUS bit is 0 or the RDY/BSY bit is 1, the Program/Erase Resume command 7Ah is ignored. The Program/Erase Resume command sequence is shown in Figure 37.

Program/Erase Resume command is ignored if the previous Program/Erase Suspend operation was interrupted by an unexpected power-off. It is required that a subsequent Program/Erase Suspend command not to be issued within a minimum of time of t_{SUS} following a previous Resume command.

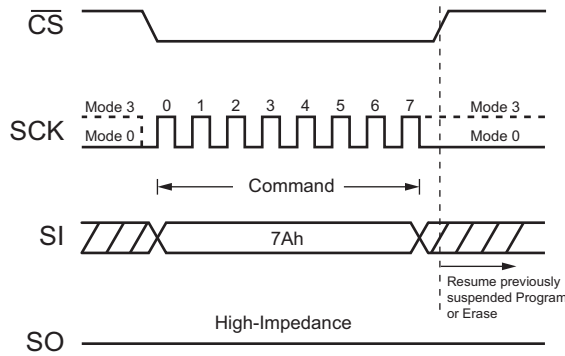


Figure 37. Program/Erase Resume Command

Note:

An erase operation can be suspended and resumed multiple times; however, to guarantee the completion of the erase operation, it is required to maintain at least 12 ms between one of these resume commands and the following suspend command.

A program operation can be suspended and resumed multiple times; however, to guarantee the completion of the program operation, it is required to maintain at least 3 ms between one of these resume commands and the following suspend command.

6.4.11 Erase Security Registers (44h)

The AT25EU0041A offers three 512-byte Security Registers that can be erased and programmed individually. These registers can be used by the system manufacturers to store security and other important information separately from the main memory array.

The Erase Security Register command is similar to the 4 kB Block Erase command. A Write Enable command must be executed before the device can accept the Erase Security Register command (Status Register bit WEL must be 1). The command is initiated by driving the CS pin low and transferring the opcode 44h, followed by a 24-bit address (A23-A0).

Table 14. Erase Security Coding

Address	A23-16	A15-12	A11-9	A8-0
Security Register #1	00h	0 0 0 1	0 0 0	Don't Care
Security Register #2	00h	0 0 1 0	0 0 0	Don't Care
Security Register #3	00h	0 0 1 1	0 0 0	Don't Care

The Erase Security Register command sequence is shown in Figure 38. The CS pin must be driven high after the eighth bit of the last byte has been latched. If this is not done, the command is not executed. After CS is driven high, the self-timed Erase Security Register operation commences for a time of t_{SE} (see Section 7.6, AC Characteristics). While the Erase Security Register cycle is in progress, the Read Status Register command can be accessed for checking the status of the RDY/BSY bit. The RDY/BSY bit is a 1 during the erase cycle; it becomes a 0 when the cycle is finished and the device is ready to accept other commands. After the Erase Security Register cycle has finished, the Write Enable Latch (WEL) bit in the Status Register is cleared to 0. The Security Register Lock Bits (LB3-1) in the Status Register 2 can be used to OTP protect the security registers. Once a lock bit is set to 1, the corresponding security register (LB3-1 corresponds to S13-11) is permanently locked, and the Erase Security Register command to that register is ignored (see Section 5 for details).

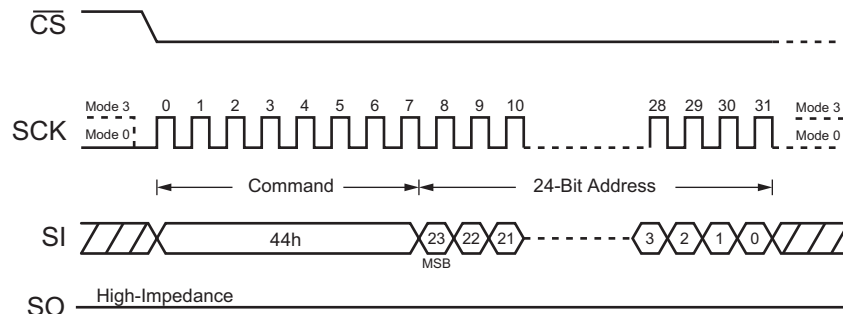


Figure 38. Erase Security Register Command

6.4.12 Program Security Registers (42h)

The Program Security Register command is similar to the Page Program command. It allows from one to 512 bytes of security register data to be programmed by two times (one time program 256 bytes) at previously erased (FFh) memory locations. A Write Enable command must be executed before the device can accept the Program Security Register command (Status Register bit WEL= 1). The command is initiated by driving the \overline{CS} pin low, then transferring the opcode 42h, followed by a 24-bit address (A23-A0) and at least one data byte, onto the SI pin. The \overline{CS} pin must be held low for the entire length of the command while data is being sent to the device.

Table 15. Program Security Register Coding

Address	A23-16	A15-12	A11-9	A8-0
Security Register #1	00h	0 0 0 1	0 0 0	Byte Address
Security Register #2	00h	0 0 1 0	0 0 0	Byte Address
Security Register #3	00h	0 0 1 1	0 0 0	Byte Address

The Program Security Register command sequence is shown in Figure 39. The Security Register Lock Bits (LB3-1) in the Status Register 2 can be used to OTP protect the security registers. Once a lock bit is set to 1, the corresponding security register is permanently locked, and the Program Security Register command to that register is ignored.

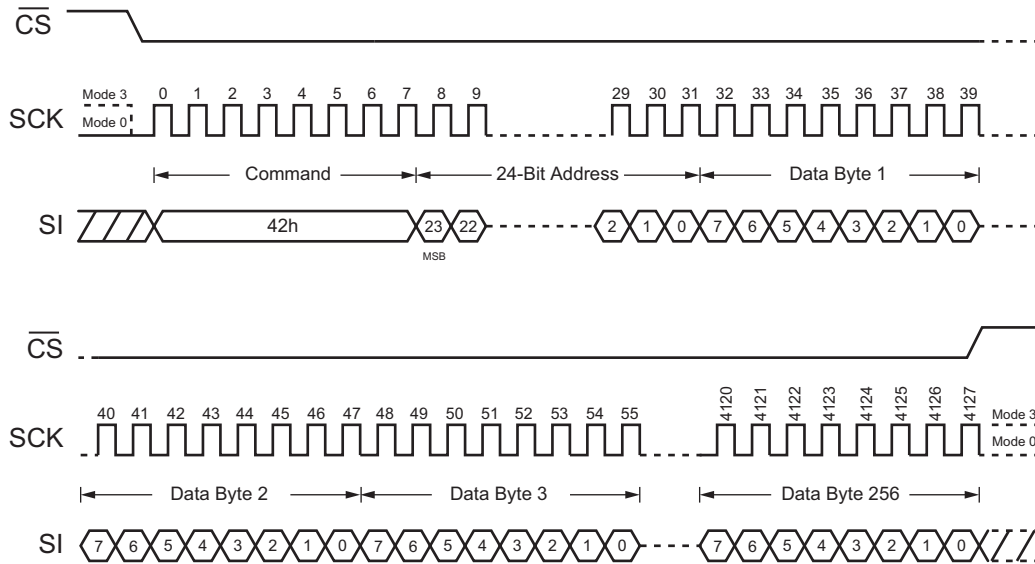


Figure 39. Program Security Register Command

6.4.13 Read Security Registers (48h)

The Read Security Register command is similar to the Fast Read command; it allows one or more data bytes to be sequentially read from one of the three security registers. The command is initiated by driving the \overline{CS} pin low and then transferring the opcode 48h followed by a 24-bit address (A23-A0) and eight dummy clocks into the SI pin. The code and address bits are latched on the rising edge of the SCK pin. After the address is received, the data byte of the addressed memory location is transferred out on the SO pin at the falling edge of SCK, with the most significant bit (MSB) first. The byte address is automatically incremented to the next byte address after each byte of data is transferred out. Once the byte address reaches the last byte of the register (byte address FFh), it resets to address 00h, the first byte of the register, and continue to increment. The command is completed by driving \overline{CS} high. The Read Security Register command sequence is shown in Figure 40. If a Read Security Register command is issued while an Erase, Program, or Write cycle is in progress (RDY/BSY=1), the command is ignored and does not have any effect on the current cycle. The Read Security Register command allows a clock frequency up to the maximum of f_C (see Section 7.6, AC Characteristics).

Table 16. Read Security Register Coding

Address	A23-16	A15-12	A11-9	A8-0
Security Register #1	00h	0 0 0 1	0 0 0	Byte Address
Security Register #2	00h	0 0 1 0	0 0 0	Byte Address
Security Register #3	00h	0 0 1 1	0 0 0	Byte Address

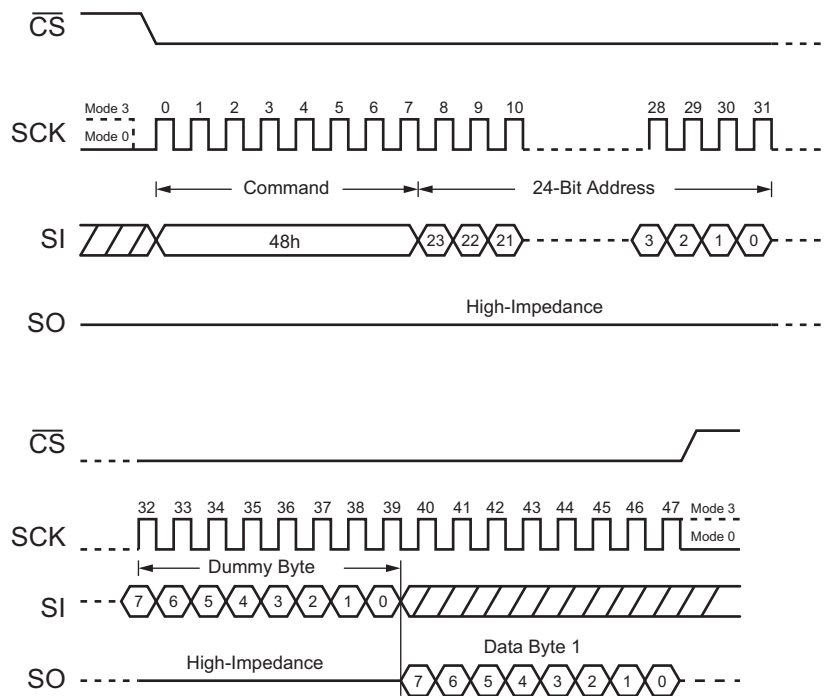


Figure 40. Read Security Command

6.4.14 Enable Reset (66h) and Reset Device (99h)

The AT25EU0041A provides a software Reset command. Once the Reset command is accepted, any on-going internal operations are terminated, and the device returns to its default power-on state; it then also loses all the current volatile settings, such as Volatile Status Register bits, Write Enable Latch (WEL) status, Program/Erase Suspend status, Continuous Read Mode bit setting (M7-M0), Wrap Bit setting (W6-W4). To avoid accidental reset, both commands must be issued in sequence. Any commands other than Reset (99h) after the Enable Reset (66h) command disables the Reset Enable state, and a new sequence of Enable Reset (66h) and Reset (99h) is needed to reset the device. Once the Reset command is accepted by the device, the device takes t_{RST} to reset. During this period, no command is accepted. Data corruption can happen if there is an on-going or suspended internal Erase or Program operation when the Reset command sequence is accepted by the device. Check the RDY/BSY bit and the SUS bit in the Status Register before issuing the Reset command sequence.

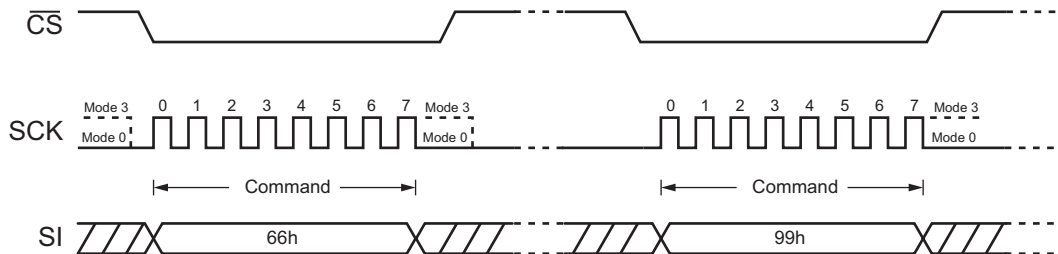


Figure 41. Enable Reset and Reset Command Sequence

6.4.15 Read Serial Flash Discoverable Parameter (5Ah)

The Serial Flash Discoverable Parameter (SFDP) standard provides a consistent method of describing the functional and feature capabilities of serial flash devices in a standard set of internal parameter tables. These parameter tables can be interrogated by host system software to enable adjustments needed to accommodate divergent features from multiple vendors. The concept is similar to the one found in the Introduction of JEDEC Standard JESD68 on CFI. SFDP is based on JEDEC Standard JESD216B. The SFDP is a special order. Contact Dialog Semiconductor.

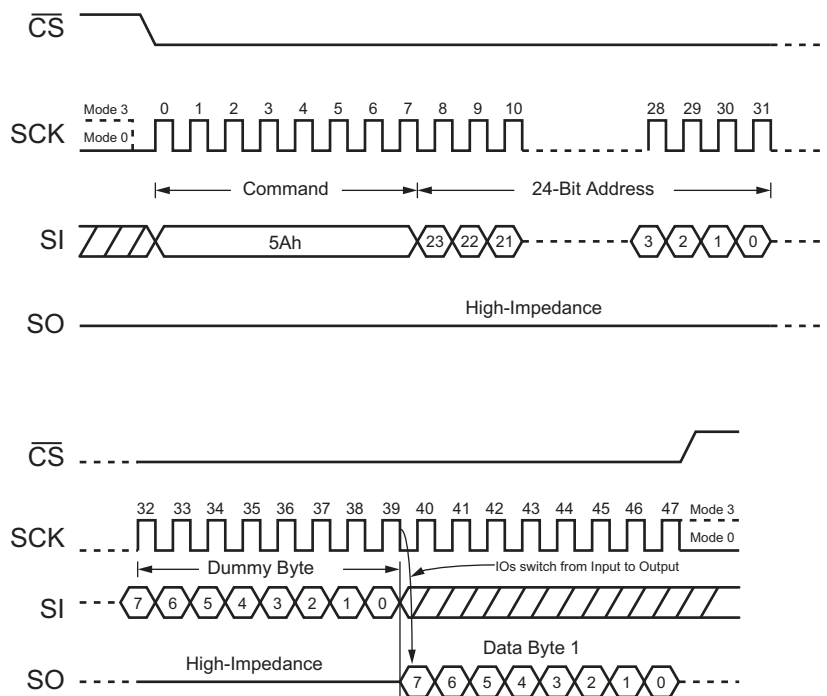


Figure 42. Read Serial Flash Discoverable Parameter Command

7. Electrical Characteristics

7.1 Absolute Maximum Ratings

This device has been designed and tested for the specified operation ranges. Proper operation outside of these levels is not guaranteed. Exposure to absolute maximum ratings can affect device reliability. Exposure beyond absolute maximum ratings can cause permanent damage.

Table 17. Absolute Maximum Ratings

Parameter	Symbol	Conditions	Range	Unit
Supply Voltage	V_{CC}		-0.6 to $V_{CC}+0.6$	V
Voltage Applied to Any Pin	V_{IO}	Relative to Ground	-0.6 to $V_{CC}+0.6$	V
Transient Voltage on any Pin	V_{IOT}	<20 ns Transient Relative to Ground	-1.0 V to $V_{CC}+1.0$ V	V
Storage Temperature	T_{STG}		-65 to +150	°C
Lead Temperature	T_{LEAD}		See Note 2	°C
Electrostatic Discharge Voltage	V_{ESD}	Human Body Model(3)	-2000 to +2000	V

1. This device has been designed and tested for the specified operation ranges. Proper operation outside of these levels is not guaranteed. Exposure to absolute maximum ratings can affect device reliability. Exposure beyond absolute maximum ratings can cause permanent damage.
2. Compliant with JEDEC Standard J-STD-20C for small-body Sn-Pb or Pb-free (Green) assembly and the European directive on restrictions on hazardous substances (RoHS) 2002/95/EU.
3. JEDEC Std JESD22-A114A (C1 = 100 pF, R1 = 1500 Ω , R2 = 500 Ω).

7.2 Operating Ranges

Table 18. Operating Ranges

Parameter	Symbol	Min	Max	Unit
Supply Voltage	V_{CC}	1.65	3.6	V
Operating Temperature	TA	-40	85	°C

7.3 Power-Up / Power-Down Timing and Requirements

The parameters in Table 19 are characterized only.

Table 19. Timing Requirements for Power-Up/Down

Parameter	Symbol	Min	Max	Unit
V _{CC} (min) to \overline{CS} Low	t _{VSL}	300		μs
Write Inhibit Threshold Voltage	V _{WI}	1.0	1.4	V

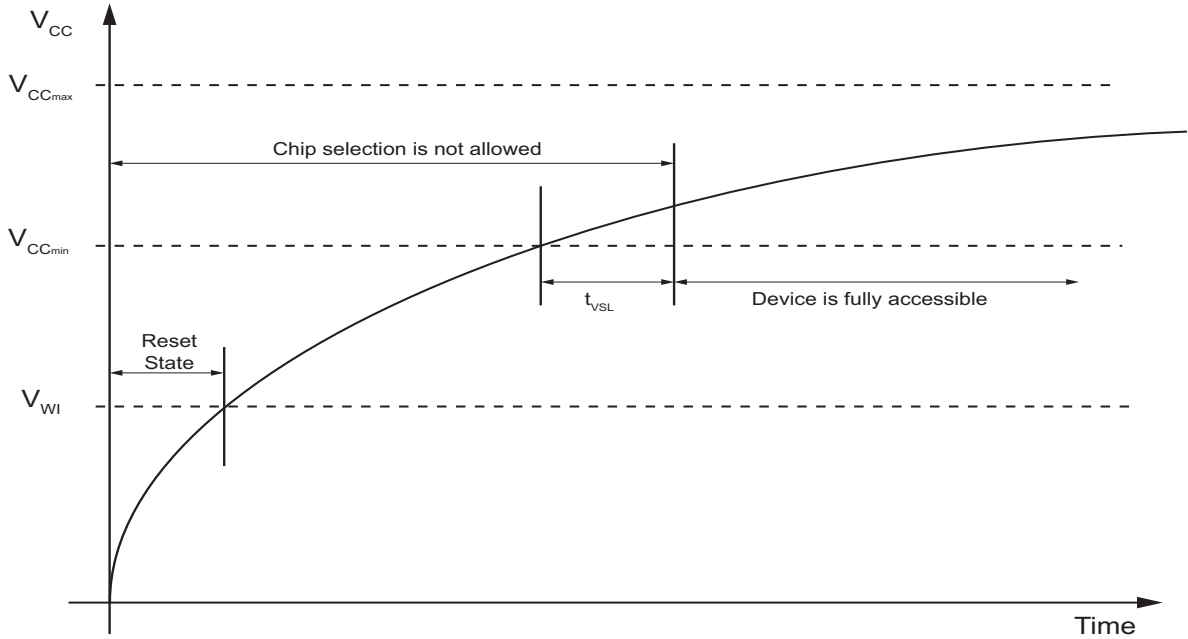


Figure 43. Power-Up Timing and Voltage Levels

7.4 DC Characteristics

Table 20. DC Electrical Characteristics for 1.65 V to 3.6 V

Parameter	Symbol	Conditions	Min	Typ	Max	Unit
Input Capacitance ¹	C _{IN}	V _{IN} = 0 V			6	pF
Output Capacitance ¹	C _{OUT}	V _{OUT} = 0 V			8	pF
Input Leakage	I _{LI}	All inputs at CMOS level			±2	μA
Output Leakage	I _{LO}	All inputs at CMOS level			±2	μA
Standby Current	I _{CC1}	$\overline{CS} = V_{CC}$, V _{IN} = GND or V _{CC}		10.5	14	μA
Deep Power-Down Current	I _{CC2}	$\overline{CS} = V_{CC}$, V _{IN} = GND or V _{CC}		0.1	1.8	μA
Normal Read Current (03h)	I _{CC3}	F = 1 MHz; I _{OUT} = 0 mA		0.8	1.3	mA
		F = 33 MHz; I _{OUT} = 0 mA		1.1	2.0	mA
Read Current (0Bh)	I _{CC4}	F = 50 MHz; I _{OUT} = 0 mA		1.3	2.3	mA
		F = 85 MHz; I _{OUT} = 0 mA		1.6	3.0	mA
Program Current	I _{CC5}	$\overline{CS} = V_{CC}$ RDY/BSY = 1		2.1	3.0	mA
Erase Current	I _{CC6}	$\overline{CS} = V_{CC}$ RDY/BSY = 1		2.0	2.2	mA
Input Low Voltage	V _{IL}				V _{CC} x 0.2	V
Input High Voltage	V _{IH}		V _{CC} x 0.8			V
Output Low Voltage	V _{OL}	I _{OL} = 100 μA			0.2	V
Output High Voltage	V _{OH}	I _{OH} = -100 μA	V _{CC} - 0.2			V

1. Tested on sample basis and specified through design and characterization data. TA = 25° C, V_{CC} = 1.8 V for 1.65 V to 3.6 V V_{CC}.

Table 21. DC Electrical Characteristics for 2.3 V to 3.6 V

Parameter	Symbol	Conditions	Min	Typ	Max	Unit
Input Capacitance ¹	C _{IN}	V _{IN} = 0 V			6	pF
Output Capacitance ¹	C _{OUT}	V _{OUT} = 0 V			8	pF
Input Leakage	I _{LI}	All inputs at CMOS level			±2	µA
Output Leakage	I _{LO}	All inputs at CMOS level			±2	µA
Standby Current	I _{CC1}	CS = V _{CC} , V _{IN} = GND or V _{CC}		11	14	µA
Deep Power-Down Current	I _{CC2}	CS = V _{CC} , V _{IN} = GND or V _{CC}		0.4	1.8	µA
Normal Read Current (03h)	I _{CC3}	F = 1 MHz; I _{OUT} = 0 mA		0.8	1.3	mA
		F = 33 MHz; I _{OUT} = 0 mA		1.3	2.0	mA
Read Current (0Bh)	I _{CC4}	F = 50 MHz; I _{OUT} = 0 mA		1.5	2.3	mA
		F = 85 MHz; I _{OUT} = 0 mA		2.0	3.0	mA
Program Current	I _{CC5}	CS = V _{CC} RDY/BSY = 1		2.4	3.0	mA
Erase Current	I _{CC6}	CS = V _{CC} RDY/BSY = 1		2.2	3.0	mA
Input Low Voltage	V _{IL}				V _{CC} x 0.2	V
Input High Voltage	V _{IH}		V _{CC} x 0.8			V
Output Low Voltage	V _{OL}	I _{OL} = 100 µA			0.2	V
Output High Voltage	V _{OH}	I _{OH} = -100 µA	V _{CC} - 0.2			V

1. Tested on sample basis and specified through design and characterization data. TA = 25° C, V_{CC} = 3.0 V for 2.3 V to 3.6 V V_{CC}.

7.5 AC Measurement conditions

Table 22. AC Measurement Conditions

Parameter	Symbol	Min	Max	Unit
Input Capacitance	C _{IN}		6	pF
Output Capacitance	C _{OUT}		6	pF
Load Capacitance	C _L		30	pF
Input Rise and Fall Times	T _R , T _F		5	ns
Input Pulse Voltages	V _{IN}	0.2 V _{CC} - 0.8 V _{CC}		V
Input Timing Reference Voltages	IN	0.5 V _{CC} - 0.5 V _{CC}		V
Output Timing Reference Voltages	OUT	0.5 V _{CC} - 0.5 V _{CC}		V

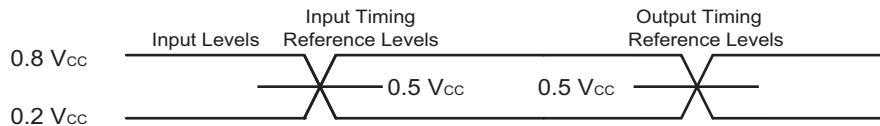


Figure 44. AC Measurement I/O Waveform

7.6 AC Characteristics

Table 23. AC Electrical Characteristics for 1.65 V to 3.6 V

Parameter	Symbol	ALT	Min	Typ	Max	Unit
Maximum clock frequency for all opcodes except 03h, 6Bh, and EBh	f_C	f_{C1}			80	MHz
Maximum Clock Frequency for opcodes 6Bh and EBh					70	MHz
Maximum Clock Frequency for 03h	f_R				50	MHz
Clock High, Low Time	t_{CLH}, t_{CLL}^1		5.5			ns
Clock Rise Time peak to peak	t_{CLCH}^2		0.1			V/ns
Clock Fall Time peak to peak	t_{CHCL}^2		0.1			V/ns
\overline{CS} Active Setup Time relative to CLK	t_{SLCH}	t_{CSS}	5			ns
\overline{CS} Not Active Hold Time relative to CLK	t_{CHSL}		5			ns
Data In Setup Time	t_{DVCH}	t_{DSU}	2			ns
Data In Hold Time	t_{CHDX}	t_{DH}	3			ns
Output Disable Time	t_{SHQZ}^2	t_{DIS}			6	ns
\overline{CS} Active Hold Time relative to CLK	t_{CHSH}	t_{CSS}	5			ns
\overline{CS} Not Active Setup Time relative to CLK	t_{SHCH}		5			ns
Clock Low to Output Valid	t_{CLQV1}	t_{V1}			7	ns
\overline{CS} Deselect Time from read to next Read	t_{SHSL}	t_{CSH}	15			ns
\overline{CS} Deselect Time from Write, Erase, Program to Read Status Register			30			ns
Clock Low to Output Valid loading 30pF	t_{CLQV}	t_V			12	ns
Clock Low to Output Valid loading 15pF					11	ns
Output Hold Time	t_{CLQX}	t_{HO}	0			ns
\overline{HOLD} Active Setup Time relative to CLK	t_{HLCH}^2		5			ns
\overline{HOLD} Active Hold Time relative to CLK	t_{CHHH}^2		5			ns
\overline{HOLD} Not Active Setup Time relative to CLK	t_{HHCH}^2		5			ns
\overline{HOLD} Not Active Hold Time relative to CLK	t_{CHHL}^2		5			ns
\overline{HOLD} to Output High-Z	t_{HLQZ}^2	t_{HZ}			6	ns
Write Protect Setup Time Before \overline{CS} Low	t_{WHSL}^3		20			ns
Write Protect Hold Time After \overline{CS} High	t_{SHWL}^3		100			ns
\overline{CS} High to Deep Power-down Mode	t_{DP}^2				3	μ s
\overline{CS} High to Standby Mode without ID Read	t_{RES1}^2				8	μ s
\overline{CS} High to Standby Mode with ID Read	t_{RES2}^2				8	μ s
\overline{CS} High to next command after Suspend	t_{SUS}^2				20	
\overline{CS} High to next command after Reset	t_{RST}^2		300			μ s
Write Status Register Cycle Time	t_W			6.5	12	ms
Byte Program Time	t_{BP1}			2	3	ms
Page Program Time	t_{PP}			2	3	ms
Page Erase Time	t_{PE}			8	12	ms
Block Erase Time (4 kB)	$t_{BLKE-4kB}$			8	12	ms
Block Erase Time (32 kB)	$t_{BLKE-32kB}$			8	12	ms
Block Erase Time (64 kB)	$t_{BLKE-64kB}$			8	12	ms
Chip Erase Time	t_{CE}			8	12	ms

1. Clock high + clock low must be less than, or equal to, $1/f_C$.
2. Value guaranteed by design and/or characterization; not 100% tested in production.
3. Only applicable as a constraint for a write Status Register command when $SRP[1:0] = (0,1)$.

Table 24. AC Electrical Characteristics for 2.3 V to 3.6 V

Parameter	Symbol	ALT	Min	Typ	Max	Unit
Maximum clock frequency for all opcodes except 03h, 6Bh, and EBh	f_C	f_{C1}			108	MHz
Maximum Clock Frequency for opcodes 6Bh and EBh					85	MHz
Maximum Clock Frequency for 03h	f_R				50	MHz
Clock High, Low Time	t_{CLH}, t_{CLL} ¹		5.5			ns
Clock Rise Time peak to peak	t_{CLCH} ²		0.1			V/ns
Clock Fall Time peak to peak	t_{CHCL} ²		0.1			V/ns
\overline{CS} Active Setup Time relative to CLK	t_{SLCH}	t_{CSS}	5			ns
\overline{CS} Not Active Hold Time relative to CLK	t_{CHSL}		5			ns
Data In Setup Time	t_{DVCH}	t_{DSU}	2			ns
Data In Hold Time	t_{CHDX}	t_{DH}	3			ns
Output Disable Time	t_{SHQZ} ²	t_{DIS}			6	ns
\overline{CS} Active Hold Time relative to CLK	t_{CHSH}	t_{CSS}	5			ns
\overline{CS} Not Active Setup Time relative to CLK	t_{SHCH}		5			ns
Clock Low to Output Valid	t_{CLQV1}	t_{V1}			7	ns
\overline{CS} Deselect Time from read to next Read	t_{SHSL}	t_{CSH}	15			ns
\overline{CS} Deselect Time from Write, Erase, Program to Read Status Register			30			ns
Clock Low to Output Valid loading 30 pF	t_{CLQV}	t_V			8	ns
Clock Low to Output Valid loading 15 pF					7	ns
Output Hold Time	t_{CLQX}	t_{HO}	0			ns
\overline{HOLD} Active Setup Time relative to CLK	t_{HLCH} ²		5			ns
\overline{HOLD} Active Hold Time relative to CLK	t_{CHHH} ²		5			ns
\overline{HOLD} Not Active Setup Time relative to CLK	t_{HHCH} ²		5			ns
\overline{HOLD} Not Active Hold Time relative to CLK	t_{CHHL} ²		5			ns
\overline{HOLD} to Output High-Z	t_{HLQZ} ²	t_{HZ}			6	ns
Write Protect Setup Time Before \overline{CS} Low	t_{WHSL} ³		20			ns
Write Protect Hold Time After \overline{CS} High	t_{SHWL} ³		100			ns
\overline{CS} High to Deep Power-down Mode	t_{DP} ²				3	μ s
\overline{CS} High to Standby Mode without ID Read	t_{RES1} ²				8	μ s
\overline{CS} High to Standby Mode with ID Read	t_{RES2} ²				8	μ s
\overline{CS} High to next command after Suspend	t_{SUS} ²				20	
\overline{CS} High to next command after Reset	t_{RST} ²		300			μ s
Write Status Register Cycle Time	t_W			6.5	12	ms
Byte Program Time	t_{BP1}			2	3	ms
Page Program Time	t_{PP}			2	3	ms
Page Erase Time	t_{PE}			8	12	ms
Block Erase Time (4 kB)	$t_{BLKE-4kB}$			8	12	ms
Block Erase Time (32 kB)	$t_{BLKE-32kB}$			8	12	ms
Block Erase Time (64 kB)	$t_{BLKE-64kB}$			8	12	ms
Chip Erase Time	t_{CE}			8	12	ms

1. Clock high + clock low must be less than, or equal to, $1/f_C$.
2. Value guaranteed by design and/or characterization; not 100% tested in production.
3. Only applicable as a constraint for a write Status Register command when $SRP[1:0] = (0,1)$.

7.7 Serial Output Timing

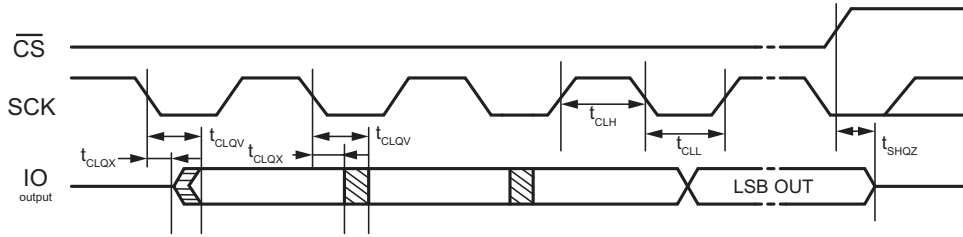


Figure 45. Serial Output Timing

7.8 Serial Input Timing

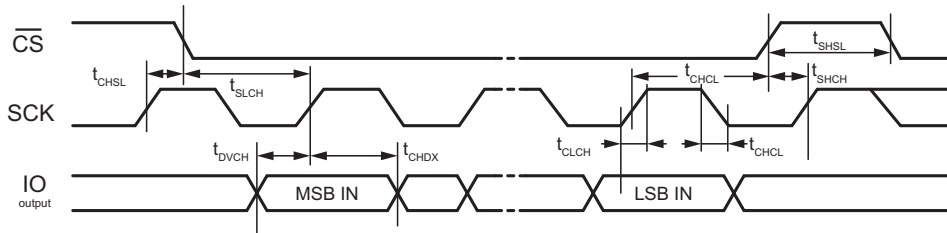


Figure 46. Serial Input Timing

7.9 HOLD Timing

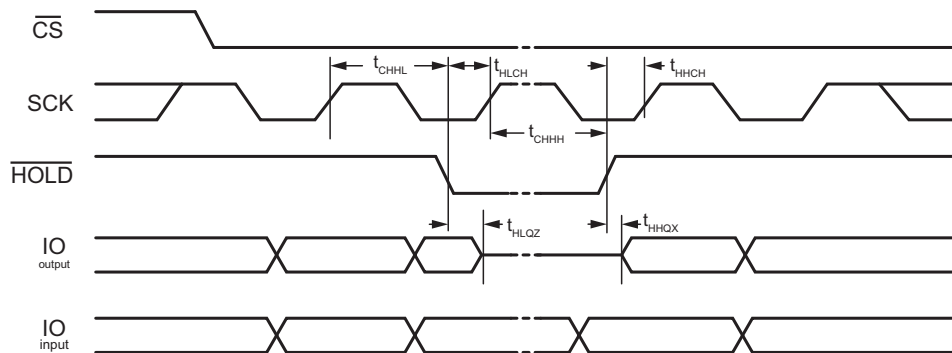


Figure 47. HOLD Timing

7.10 WP Timing

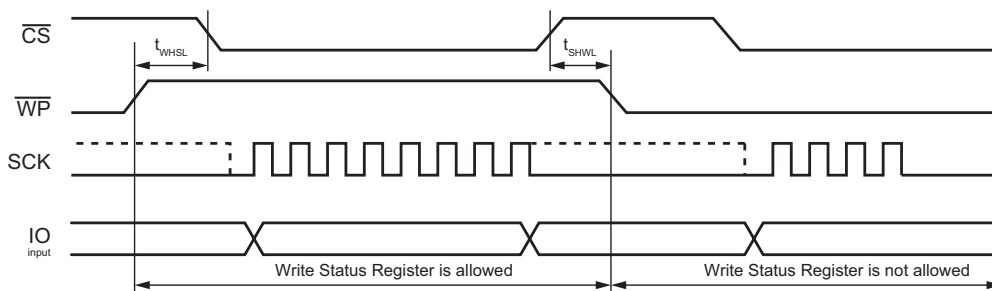


Figure 48. WP Timing

8. Ordering Information

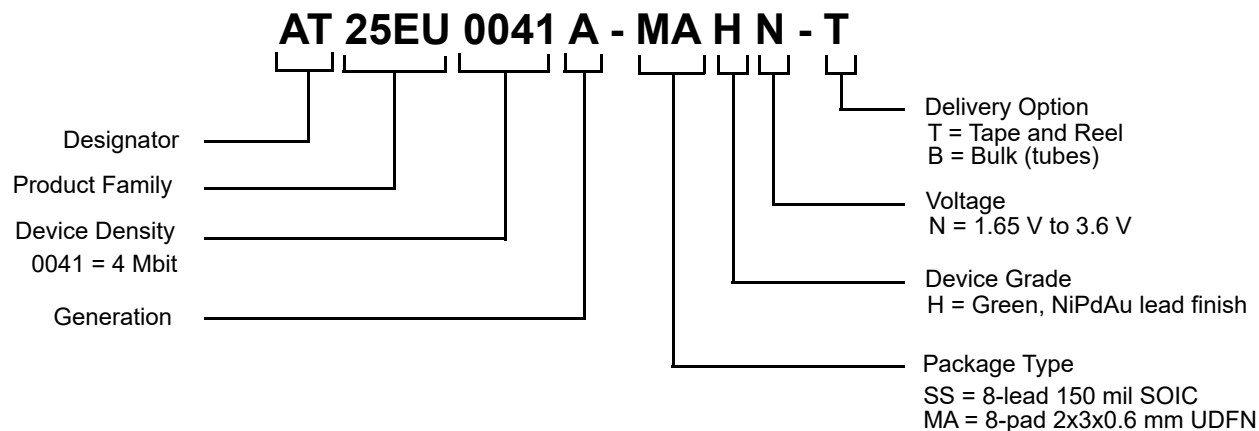


Table 25. Ordering Codes

Ordering Code	Package	Lead Finish	Operating Voltage	Delivery Option
AT25EU0041A-SSH-N-T	8-lead, 150 mil Narrow, Plastic Gull Wing Small Outline Package (JEDEC SOIC)	NiPdAu	1.65 V - 3.6 V	Tape and Reel
AT25EU0041A-SSH-N-B				Bulk (tubes)
AT25EU0041A-MAH-N-T	8-pad, 2x3x0.6 mm, Thermally Enhanced Plastic Ultra Thin Dual Flat No Lead Package (UDFN)	NiPdAu	1.65 V - 3.6 V	Tape and Reel

9. Packaging Information

9.1 Eight-Pin SOIC 150-mil

TOP VIEW

END VIEW

SIDE VIEW

COMMON DIMENSIONS
(Unit of Measure = mm)

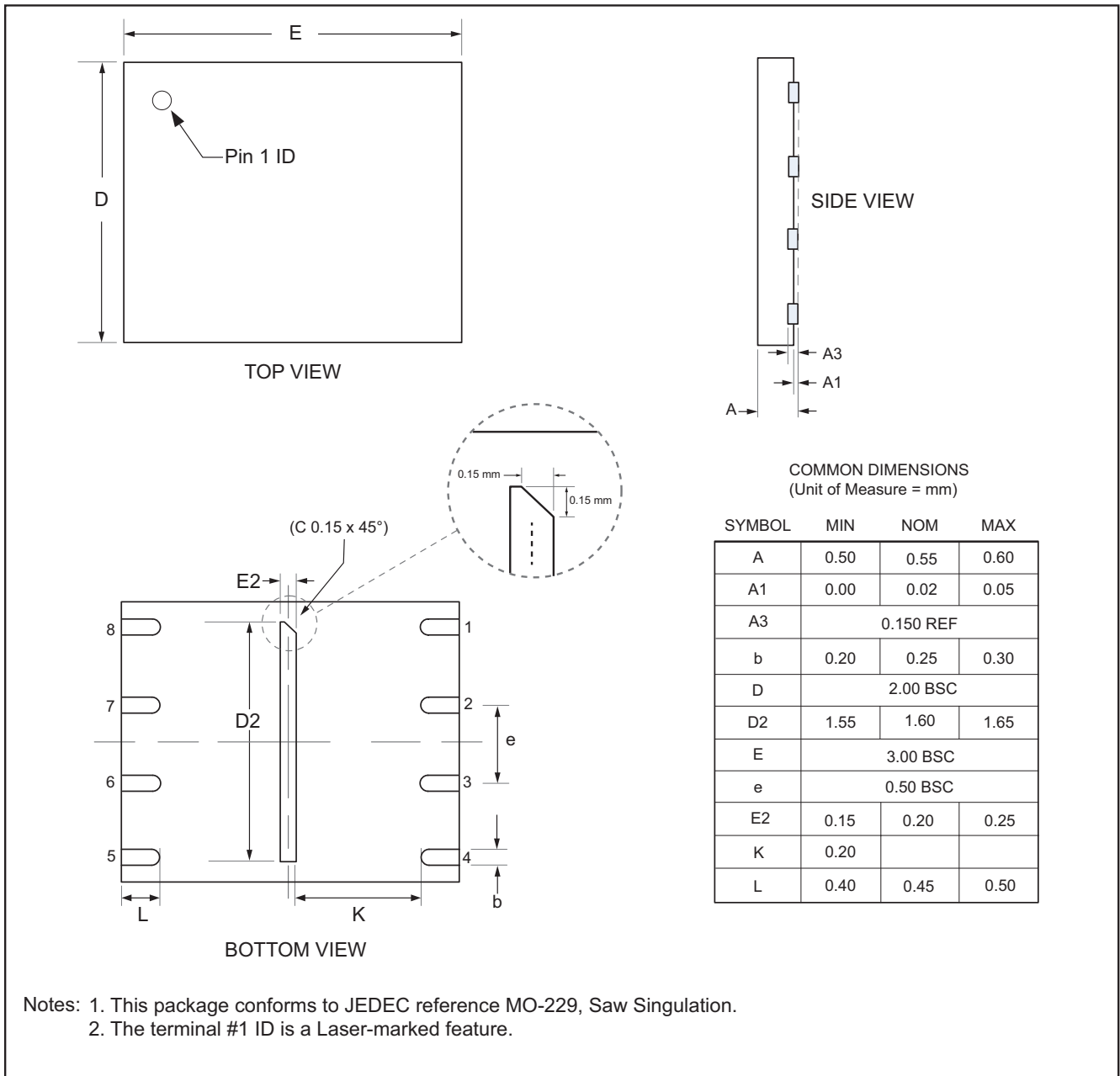
SYMBOL	MIN	NOM	MAX	NOTE
A	1.35	–	1.75	
A1	0.10	–	0.25	
b	0.31	–	0.51	
C	0.17	–	0.25	
D	4.80	–	5.05	
E1	3.81	–	3.99	
E	5.79	–	6.20	
e	1.27 BSC			
L	0.40	–	1.27	
Ø	0°	–	8°	

Notes: This drawing is for general information only. Refer to JEDEC Drawing MS-012, Variation AA for proper dimensions, tolerances, datums, etc.

5/19/10

	TITLE	GPC	REV.
	8-lead (150 mil Narrow Body), Plastic Gull Wing Small Outline (JEDEC SOIC)	SWB	F

9.2 Eight-Pad 2 x 3 x 0.6 mm UDFN



	TITLE	GPC
	8-pad (2 x 3 x 0.6 mm Body), Thermally Enhanced Plastic Ultra Thin Dual Flat No Lead Package (UDFN)	YFG

10. Revision History

Revision	Date	Description
A	07/2022	Initial release.
B	03/2023	Several name and descriptive changes to the Ordering Info drawing and table in Section 8. On front page, changed "100nA power-down current (typical)" to "100nA Deep power-down (DPD) current (typical)." In Tables 20 and 21, changed "Power-Down Current" to "Deep power-down Current."

IMPORTANT NOTICE AND DISCLAIMER

RENESAS ELECTRONICS CORPORATION AND ITS SUBSIDIARIES ("RENESAS") PROVIDES TECHNICAL SPECIFICATIONS AND RELIABILITY DATA (INCLUDING DATASHEETS), DESIGN RESOURCES (INCLUDING REFERENCE DESIGNS), APPLICATION OR OTHER DESIGN ADVICE, WEB TOOLS, SAFETY INFORMATION, AND OTHER RESOURCES "AS IS" AND WITH ALL FAULTS, AND DISCLAIMS ALL WARRANTIES, EXPRESS OR IMPLIED, INCLUDING, WITHOUT LIMITATION, ANY IMPLIED WARRANTIES OF MERCHANTABILITY, FITNESS FOR A PARTICULAR PURPOSE, OR NON-INFRINGEMENT OF THIRD PARTY INTELLECTUAL PROPERTY RIGHTS.

These resources are intended for developers skilled in the art designing with Renesas products. You are solely responsible for (1) selecting the appropriate products for your application, (2) designing, validating, and testing your application, and (3) ensuring your application meets applicable standards, and any other safety, security, or other requirements. These resources are subject to change without notice. Renesas grants you permission to use these resources only for development of an application that uses Renesas products. Other reproduction or use of these resources is strictly prohibited. No license is granted to any other Renesas intellectual property or to any third party intellectual property. Renesas disclaims responsibility for, and you will fully indemnify Renesas and its representatives against, any claims, damages, costs, losses, or liabilities arising out of your use of these resources. Renesas' products are provided only subject to Renesas' Terms and Conditions of Sale or other applicable terms agreed to in writing. No use of any Renesas resources expands or otherwise alters any applicable warranties or warranty disclaimers for these products.

(Rev.1.0 Mar 2020)

Corporate Headquarters

TOYOSU FORESIA, 3-2-24 Toyosu,
Koto-ku, Tokyo 135-0061, Japan
www.renesas.com

Contact Information

For further information on a product, technology, the most up-to-date version of a document, or your nearest sales office, please visit:
www.renesas.com/contact/

Trademarks

Renesas and the Renesas logo are trademarks of Renesas Electronics Corporation. All trademarks and registered trademarks are the property of their respective owners.