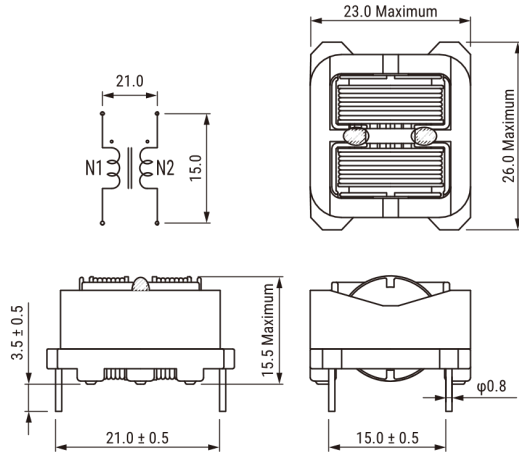


SSHB21HS-R30028

Aliases (UALSB2SR300280)

KEMET, SSHB21HS, AC Line Filters, Dual Mode, 2.8 mH



Click [here](#) for the 3D model.

Dimensions

| | |
|-----------|----------------|
| L | 26mm MAX |
| T | 23mm MAX |
| H | 15.5mm MAX |
| LL | 3.5mm +/-0.5mm |
| S | 21mm +/-0.5mm |
| S1 | 15mm NOM |
| Wire Size | 0.55mm |

Packaging Specifications

| | |
|--------------------|------|
| Packaging | Tray |
| Packaging Quantity | 360 |
| Component Weight | 14 g |

General Information

| | |
|---------------|---------------------------------|
| Series | SSHB21HS |
| Style | Through-Hole |
| RoHS | Yes |
| Notes | Marking: R30 Lot No. |
| Miscellaneous | Temperature Rise Maximum: 45 K. |
| Core | Mn-Zn Ferrite |

Specifications

| | |
|-------------------|-------------------------------|
| Voltage AC | 250 VAC, 320 VAC (IEC60664-1) |
| Inductance | 2.8 mH (10 kHz) |
| Current | 3 A |
| Temperature Range | -40/+120°C |
| DC Resistance | 60 mOhms |