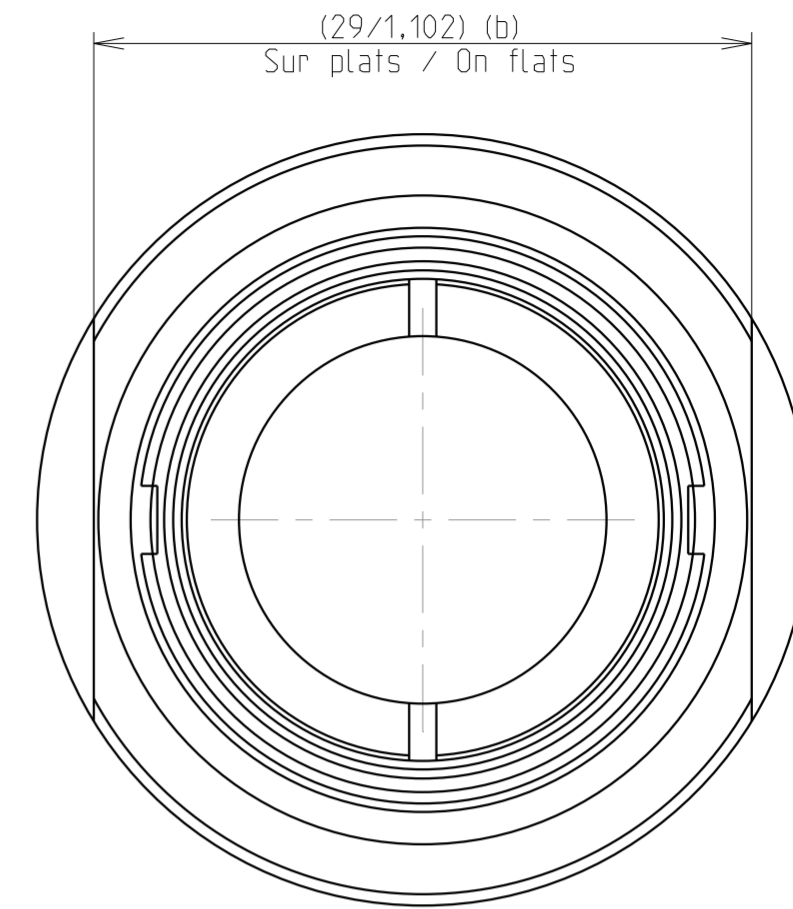
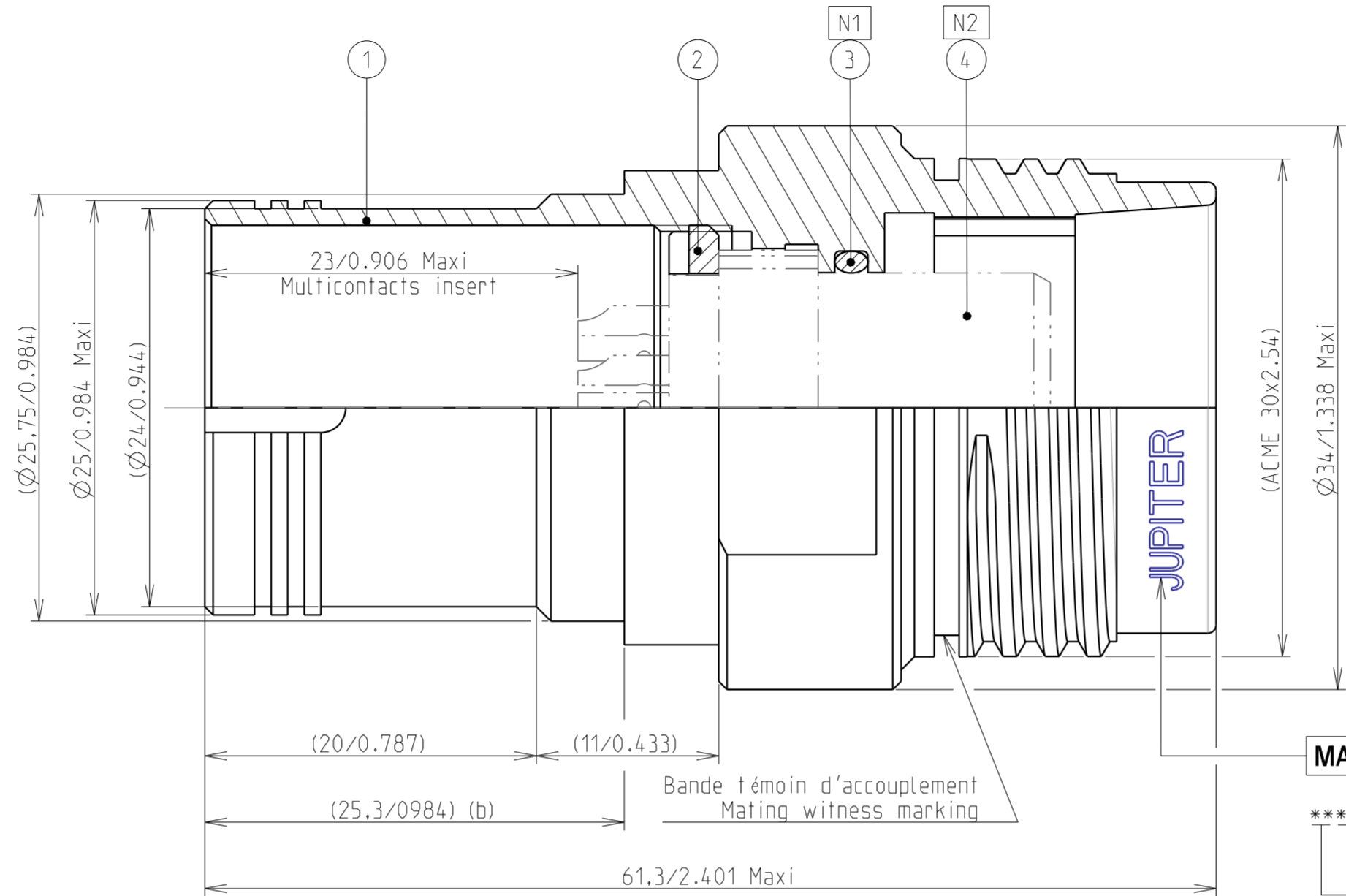
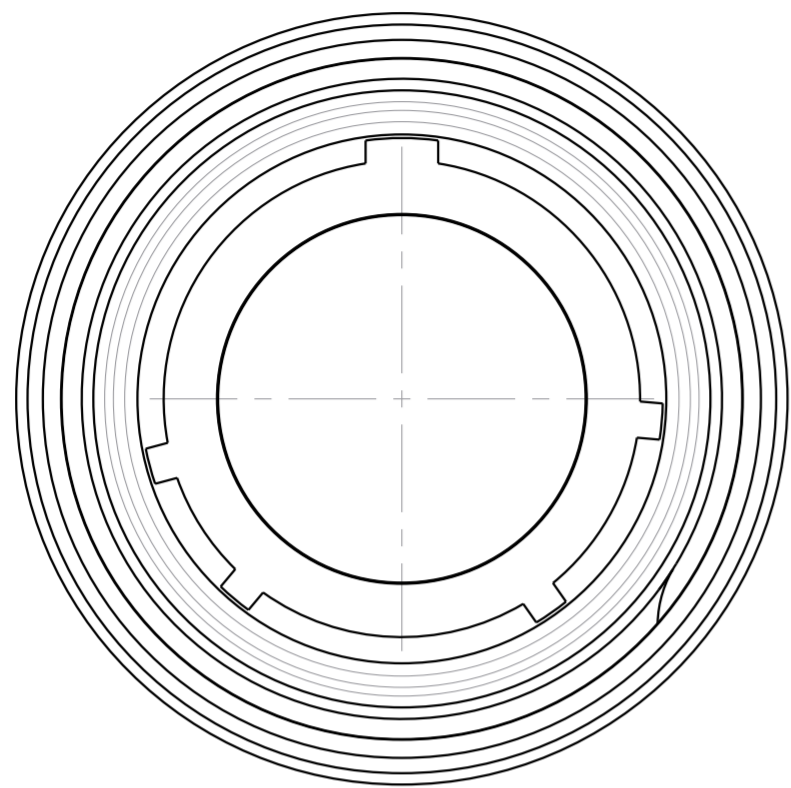


B.2: D développement

Country	Jurisdiction & Control List
FR	NOT LISTED

	critical dimension
	major dimension



MARQUAGE/MARKING

**** JUPITER FR PCE14PLY
 SEMAINE / WEEK
 ANNEE / YEAR

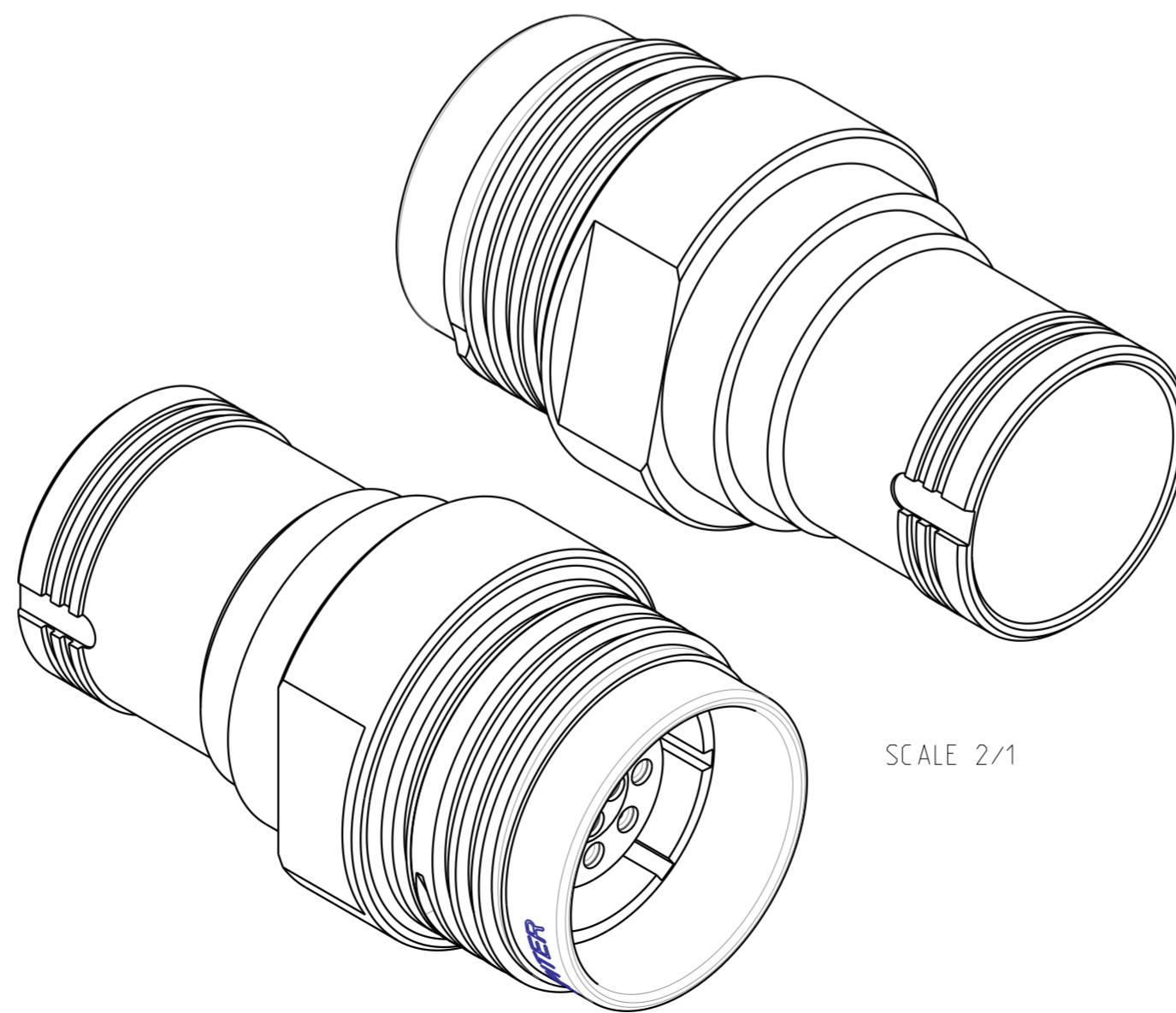
N1 : MONTAGE AVEC GRAISSE
 MOUNTING WITH GREASE

N2 : ISOLANT HORS FOURNITURE
 INSERT NOT SUPPLIED

**REFERENCE COMMERCIALE
 PART NUMBER**

CPE14PLY

4	ISOLANT / INSERT
3	JOINT TORIQUE ISOLANT / O'RING INSERT
2	BAGUE DE RETENUE / RETAINING RING
1	PROLONGATEUR PCE / IN-LINE RECEPTACLE
REP	DESIGNATION



B	25/04/18	Modification of flats + add of retaining			SYakoubi	MEFFRE	DIFF
A	28/02/18	Initial drawing			SYakoubi	MEFFRE	DIFF
Iss	Date	MODIFICATIONS	A	C	Designed by	Checked by	MOD N°
			Naf.				
MATERIAL --			TREATMENT		PROTECTION/PLATING		
--			--		--		
--			--		CODE --		
DIMENSIONS ARE DEFINED BEFORE PLATING							
TITLE		PROLONGATEUR PCE SA / IN-LINE RECEPTACLE SA TYPE				PROJECT	
		SERIE PL - TAILLE 14				PL54	
Material Reference Voir Référence Commerciale / See Part Number							
		Generales tolerances ISO 2768		SOURIAU 3. RUE DU VALLON - ZAC N°2 94440 MAROLLES-EN-BRIE (FRANCE) TEL. 33 (0)1 45 10 78 00			
Scale 3/1		General machining Surface texture					
Geometrical Tolerances: NF EN ISO 1101							
This document is the property of SOURIAU it must not be reproduced or communicated without permission.				FORMAT	SOURIAU DRG N°	Iss	SHEET
				A2	543P0030A8C	B	1/1