

Aluminum Electrolytic Capacitors Power Miniaturized General Purpose - Snap-In



Fig. 1

| QUICK REFERENCE DATA | |
|---|------------------------|
| DESCRIPTION | VALUE |
| Nominal case size (D x L in mm) | 20 x 25 to 35 x 45 |
| Rated capacitance range (E6 series), C _R | 820 μF to 47 000 μF |
| Tolerance on C _R | ± 20 % |
| Rated voltage range, U _R | 16 V to 100 V |
| Category temperature range | -40 °C to +105 °C |
| Endurance test at +105 °C | 2000 h |
| Useful life at +105 °C | 2000 h |
| Useful life at +85 °C | > 5000 h |
| Shelf life at 0 V, 105 °C | 1000 h |
| Based on sectional specification | IEC 60384-4 / EN130300 |
| Climatic category IEC 60068 | 40 / 105 / 56 |

FEATURES

- Useful life: 2000 h at +105 °C, > 5000 h at +85 °C
- Voltage range from 16 V to 100 V
- Polarized aluminum electrolytic capacitors, non-solid electrolyte
- Pressure relief on the top of the aluminum case
- PET insulation sleeve
- Material categorization: for definitions of compliance please see www.vishay.com/doc?99912


**RoHS
COMPLIANT**
APPLICATIONS

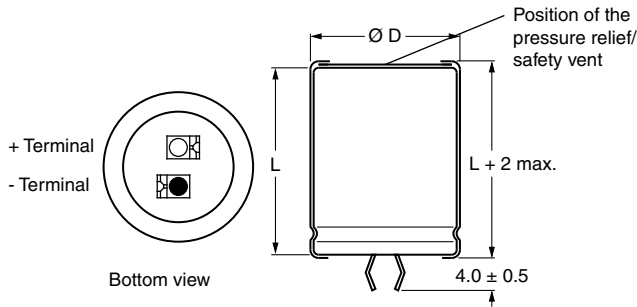
- General purpose, industrial
- Standard and switched mode power supplies
- Audio systems
- DC/DC converters
- Telecom
- Smoothing and filtering

MARKING

The capacitors are marked (where possible) with the following information:

- Rated capacitance (in μF)
- Tolerance on rated capacitance, code letter in accordance with IEC 60062 (± 20 %)
- Rated voltage (in V)
- Date code; abbreviation in 2 digits in accordance with IEC 60062
- Name of manufacturer
- Code for factory of origin (04)
- “-” sign to identify the negative terminal, visible from the top and side of the capacitor
- Relevant part of ordering code. Example MAL225638472E3, marking will show: 256 38472
- Climatic category in accordance with IEC 60068
- LL for Long Life

| SELECTION CHART FOR C _R , U _R , AND RELEVANT NOMINAL CASE SIZES (∅ D x L in mm) | | | | | | | |
|---|--------------------|---------|---------|---------|---------|---------|---------|
| C _R (μF) | U _R (V) | | | | | | |
| | 16 | 25 | 35 | 50 | 63 | 80 | 100 |
| 820 | - | - | - | - | - | - | 22 x 30 |
| 1200 | - | - | - | - | 22 x 25 | - | 25 x 30 |
| 1500 | - | - | - | - | - | 22 x 35 | - |
| 2200 | - | - | - | 22 x 25 | 22 x 30 | 25 x 30 | 25 x 40 |
| 2700 | - | - | - | 22 x 25 | - | - | 30 x 35 |
| 3300 | - | - | 22 x 25 | 22 x 30 | 25 x 35 | 35 x 25 | 30 x 40 |
| 3900 | - | - | - | 22 x 35 | - | - | - |
| 4700 | - | - | 22 x 25 | 25 x 30 | 25 x 40 | 35 x 30 | 35 x 40 |
| 5600 | - | - | - | - | - | 35 x 45 | 35 x 45 |
| 6800 | - | - | 25 x 30 | 25 x 40 | 35 x 30 | 35 x 40 | - |
| 8200 | - | 22 x 25 | - | - | - | - | - |
| 10 000 | 20 x 25 | - | 30 x 30 | 30 x 40 | 35 x 40 | - | - |
| 15 000 | 22 x 30 | 22 x 40 | - | - | - | - | - |
| 22 000 | 25 x 30 | 25 x 40 | 35 x 40 | - | - | - | - |
| 33 000 | 30 x 30 | - | - | - | - | - | - |
| 47 000 | 35 x 35 | - | - | - | - | - | - |

DIMENSIONS in millimeters AND AVAILABLE FORMS


The minus and/or plus terminal can be marked with an imprinted sign.

Fig. 2 - Two terminal snap-in

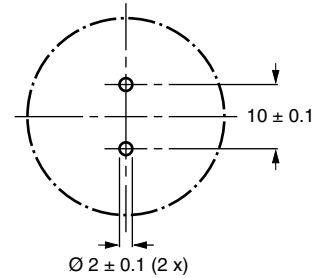


Fig. 3 - Mounting hole diagram

Table 1

| DIMENSIONS in millimeters, MASS AND PACKAGING QUANTITIES | | | | | |
|---|---------------------------|-------------------------|---------------------|---|---|
| NOMINAL CASE SIZE Ø D x L | Ø D_{max.} | L_{max.} | MASS (g) | PACKAGING QUANTITIES (units per box) | CARDBOARD BOX DIMENSIONS L x W x H |
| 20 x 25 | 21 | 27 | ≈ 10 | 104 | 310 x 200 x 42 |
| 22 x 25 | 23 | 27 | ≈ 11 | 84 | 310 x 200 x 42 |
| 22 x 30 | 23 | 32 | ≈ 15 | 84 | 310 x 200 x 47 |
| 22 x 35 | 23 | 37 | ≈ 17 | 84 | 310 x 200 x 52 |
| 22 x 40 | 23 | 42 | ≈ 19 | 84 | 310 x 200 x 57 |
| 25 x 25 | 26 | 27 | ≈ 15 | 66 | 310 x 200 x 42 |
| 25 x 30 | 26 | 32 | ≈ 18 | 66 | 310 x 200 x 47 |
| 25 x 35 | 26 | 37 | ≈ 20 | 66 | 310 x 200 x 52 |
| 25 x 40 | 26 | 42 | ≈ 27 | 66 | 310 x 200 x 57 |
| 25 x 50 | 26 | 52 | ≈ 28 | 66 | 310 x 200 x 67 |
| 30 x 30 | 31 | 32 | ≈ 32 | 45 | 310 x 200 x 47 |
| 30 x 35 | 31 | 37 | ≈ 35 | 45 | 310 x 200 x 52 |
| 30 x 40 | 31 | 42 | ≈ 37 | 45 | 310 x 200 x 57 |
| 30 x 50 | 31 | 52 | ≈ 42 | 45 | 310 x 200 x 67 |
| 35 x 25 | 36 | 27 | ≈ 32 | 40 | 310 x 200 x 42 |
| 35 x 30 | 36 | 32 | ≈ 38 | 40 | 310 x 200 x 47 |
| 35 x 35 | 36 | 37 | ≈ 43 | 40 | 310 x 200 x 52 |
| 35 x 40 | 36 | 42 | ≈ 50 | 40 | 310 x 200 x 57 |
| 35 x 45 | 36 | 47 | ≈ 57 | 40 | 310 x 200 x 62 |

| ELECTRICAL DATA | |
|------------------------|---|
| SYMBOL | DESCRIPTION |
| C _R | Rated capacitance at 120 Hz, +20 °C |
| I _R | Rated RMS ripple current at 120 Hz, +105 °C |
| I _{L5} | Max. leakage current after 5 min at U _R |
| ESR | Max. equivalent series resistance at 120 Hz, +20 °C |

Notes

- Unless otherwise specified, all electrical values in Table 2 apply at T_{amb} = 20 °C, P = 86 kPa to 106 kPa, RH = 45 % to 75 %

ORDERING EXAMPLE

Aluminum electrolytic capacitor 256 series;
 4700 µF / 63 V;
 2-terminal snap-in: MAL225638472E3



Table 2

| ELECTRICAL DATA AND ORDERING INFORMATION | | | | | | | | |
|--|------------------------|------------------------------|--|---------------------------|--|--|---------------------------------|----------------|
| U _R (V) | C _R (μF) | CASE SIZE Ø D x L (mm) | I _R 120 Hz +105 °C (A) | tan δ 120 Hz +20 °C | TYP. ESR 120 Hz +20 °C ⁽¹⁾ (Ω) | MAX. ESR 120 Hz +20 °C ⁽¹⁾ (Ω) | I _L 5 min (mA) | ORDERING CODE |
| 16 | 10 000 | 20 x 25 | 1.61 | 0.50 | 0.047 | 0.066 | 1.20 | MAL225615103E3 |
| | 15 000 | 22 x 30 | 2.20 | 0.50 | 0.031 | 0.044 | 1.47 | MAL225625153E3 |
| | 22 000 | 25 x 30 | 2.77 | 0.50 | 0.021 | 0.030 | 1.50 | MAL225635223E3 |
| | 33 000 | 30 x 30 | 3.48 | 0.50 | 0.014 | 0.020 | 1.50 | MAL225645333E3 |
| | 47 000 | 35 x 35 | 4.85 | 0.50 | 0.010 | 0.014 | 1.50 | MAL225655473E3 |
| 25 | 8200 | 22 x 25 | 1.73 | 0.45 | 0.040 | 0.073 | 1.36 | MAL225626822E3 |
| | 15 000 | 22 x 40 | 2.65 | 0.45 | 0.022 | 0.040 | 1.50 | MAL225626153E3 |
| | 22 000 | 25 x 40 | 3.22 | 0.45 | 0.015 | 0.027 | 1.50 | MAL225636223E3 |
| | 22 000 | 30 x 30 | 3.18 | 0.45 | 0.015 | 0.027 | 1.50 | MAL225646223E3 |
| 35 | 3300 | 22 x 25 | 1.31 | 0.40 | 0.074 | 0.161 | 1.02 | MAL225620332E3 |
| | 4700 | 22 x 25 | 1.63 | 0.40 | 0.053 | 0.113 | 1.22 | MAL225620472E3 |
| | 6800 | 25 x 30 | 2.04 | 0.40 | 0.037 | 0.078 | 1.46 | MAL225630682E3 |
| | 10 000 | 30 x 30 | 2.75 | 0.40 | 0.027 | 0.053 | 1.50 | MAL225640103E3 |
| | 22 000 | 35 x 40 | 4.69 | 0.40 | 0.013 | 0.024 | 1.50 | MAL225650223E3 |
| 50 | 2200 | 22 x 25 | 1.48 | 0.35 | 0.088 | 0.211 | 0.99 | MAL225621222E3 |
| | 2700 | 22 x 25 | 1.53 | 0.35 | 0.072 | 0.172 | 1.10 | MAL225621272E3 |
| | 3300 | 22 x 30 | 1.76 | 0.35 | 0.059 | 0.141 | 1.22 | MAL225621332E3 |
| | 3900 | 22 x 35 | 1.97 | 0.35 | 0.050 | 0.119 | 1.32 | MAL225621392E3 |
| | 4700 | 25 x 30 | 2.18 | 0.35 | 0.042 | 0.099 | 1.45 | MAL225631472E3 |
| | 6800 | 25 x 40 | 2.92 | 0.35 | 0.030 | 0.068 | 1.50 | MAL225631682E3 |
| 10 000 | 30 x 40 | 3.55 | 0.35 | 0.022 | 0.046 | 1.50 | MAL225641103E3 | |
| 63 | 1200 | 22 x 25 | 1.19 | 0.30 | 0.118 | 0.332 | 0.82 | MAL225628122E3 |
| | 2200 | 22 x 30 | 1.55 | 0.30 | 0.069 | 0.181 | 1.12 | MAL225628222E3 |
| | 2200 | 25 x 25 | 1.60 | 0.30 | 0.069 | 0.181 | 1.12 | MAL225638222E3 |
| | 3300 | 25 x 35 | 2.06 | 0.30 | 0.049 | 0.121 | 1.37 | MAL225638332E3 |
| | 4700 | 25 x 40 | 2.51 | 0.30 | 0.038 | 0.085 | 1.50 | MAL225638472E3 |
| | 4700 | 30 x 30 | 2.48 | 0.30 | 0.038 | 0.085 | 1.50 | MAL225648472E3 |
| | 6800 | 35 x 30 | 3.30 | 0.30 | 0.028 | 0.059 | 1.50 | MAL225658682E3 |
| | 10 000 | 35 x 40 | 3.90 | 0.30 | 0.020 | 0.040 | 1.50 | MAL225658103E3 |
| 80 | 1500 | 22 x 35 | 1.48 | 0.25 | 0.081 | 0.221 | 1.04 | MAL225622152E3 |
| | 2200 | 25 x 30 | 1.65 | 0.25 | 0.056 | 0.151 | 1.26 | MAL225632222E3 |
| | 3300 | 35 x 25 | 2.30 | 0.25 | 0.040 | 0.101 | 1.50 | MAL225652332E3 |
| | 4700 | 35 x 30 | 2.64 | 0.25 | 0.030 | 0.071 | 1.50 | MAL225652472E3 |
| | 5600 | 35 x 45 | 3.39 | 0.25 | 0.026 | 0.059 | 1.50 | MAL225652562E3 |
| | 6800 | 35 x 40 | 3.56 | 0.25 | 0.022 | 0.049 | 1.50 | MAL225652682E3 |
| 100 | 820 | 22 x 30 | 1.14 | 0.20 | 0.100 | 0.324 | 0.86 | MAL225629821E3 |
| | 1200 | 25 x 30 | 1.56 | 0.20 | 0.072 | 0.221 | 1.04 | MAL225639122E3 |
| | 2200 | 25 x 40 | 2.15 | 0.20 | 0.044 | 0.121 | 1.41 | MAL225639222E3 |
| | 2700 | 30 x 35 | 2.37 | 0.20 | 0.036 | 0.098 | 1.50 | MAL225649272E3 |
| | 3300 | 30 x 40 | 2.77 | 0.20 | 0.030 | 0.080 | 1.50 | MAL225649332E3 |
| | 4700 | 35 x 40 | 3.30 | 0.20 | 0.023 | 0.056 | 1.50 | MAL225659472E3 |
| | 5600 | 35 x 45 | 3.51 | 0.20 | 0.020 | 0.047 | 1.50 | MAL225659562E3 |

Note

⁽¹⁾ ESR at 100 Hz is approximately 1.05 x ESR 120 Hz

| ADDITIONAL ELECTRICAL DATA | | |
|------------------------------------|----------------|--|
| PARAMETER | CONDITIONS | VALUE |
| Voltage | | |
| Surge voltage | at +85 °C | U _S = 1.25 x U _R |
| Reverse voltage | at +105 °C | U _{rev} ≤ 1 V |
| Inductance | | |
| Equivalent series inductance (ESL) | All case sizes | Typ. 19 nH |
| | | Max. 25 nH |

RIPPLE CURRENT AND USEFUL LIFE
Table 3

| ENDURANCE TEST DURATION AND USEFUL LIFE | |
|---|---------------------------------|
| ENDURANCE AT 105 °C (h) | USEFUL LIFE AT 105 °C (h) |
| 2000 | 2000 |

Note

- Multiplier of useful life code: CCC208

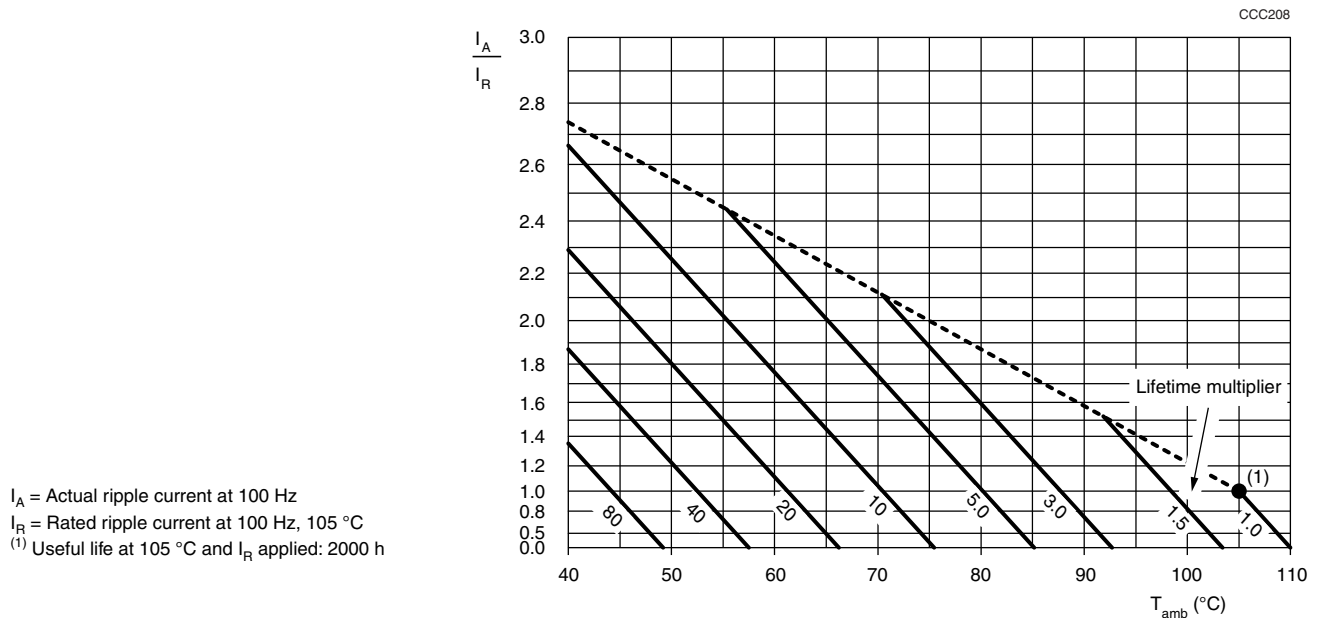


Fig. 4 - Multiplier of useful life as a function of ambient temperature and ripple current load

Table 4

| MULTIPLIER OF RIPPLE CURRENT (I_R) AS A FUNCTION OF FREQUENCY | | | | | |
|---|------|------|------|------|----------|
| FREQUENCY (Hz) | | | | | |
| 50 | 100 | 120 | 500 | 1000 | ≥ 10 000 |
| I_R MULTIPLIER | | | | | |
| 0.92 | 0.95 | 1.00 | 1.13 | 1.19 | 1.20 |



Table 5

| TEST PROCEDURES AND REQUIREMENTS | | | |
|---|---------------------------------------|---|---|
| TEST | | PROCEDURE (quick reference) | REQUIREMENTS |
| NAME OF TEST | REFERENCE | | |
| Endurance | IEC 60384-4 / EN130300 subclause 4.13 | $T_{amb} = 105\text{ }^{\circ}\text{C}$; U_R and I_R applied; 2000 h | $\Delta C/C: \pm 20\%$ $\tan \delta \leq 2 \times \text{spec. limit}$ $I_{L5} \leq \text{spec. limit}$ |
| Useful life | CECC 30301 subclause 4.13 | $T_{amb} = 105\text{ }^{\circ}\text{C}$; U_R and I_R applied; 2000 h $T_{amb} = 85\text{ }^{\circ}\text{C}$; U_R and I_R applied; > 5000 h | $\Delta C/C: \pm 20\%$ $\tan \delta \leq 2 \times \text{spec. limit}$ $I_{L5} \leq \text{spec. limit}$ no short or open circuit, no visible damage total failure percentage $\leq 1\%$ |
| Shelf life (storage at high temperature) | IEC 60384-4 / EN130300 subclause 4.17 | $T_{amb} = 105\text{ }^{\circ}\text{C}$; no voltage applied; 1000 h after test: U_R to be applied for 30 min, 24 h to 48 h before measurement | $\Delta C/C: \pm 20\%$ $\tan \delta \leq 1.5 \times \text{spec. limit}$ $I_{L5} \leq 2 \times \text{spec. limit}$ |
| Vibration | IEC 60384-4 / EN130300 subclause 4.8 | 10 Hz to 55 Hz; 0.037 m or 5 g (whichever is less); 3 axis; 2 h per axis | $\Delta C/C: \pm 10\%$ $\tan \delta \leq \text{spec. limit}$ $I_{L5} \leq \text{spec. limit}$ |

Statements about product lifetime are based on calculations and internal testing. They should only be interpreted as estimations. Also due to external factors, the lifetime in the field application may deviate from the calculated lifetime. In general, nothing stated herein shall be construed as a guarantee of durability.



Disclaimer

ALL PRODUCT, PRODUCT SPECIFICATIONS AND DATA ARE SUBJECT TO CHANGE WITHOUT NOTICE TO IMPROVE RELIABILITY, FUNCTION OR DESIGN OR OTHERWISE.

Vishay Intertechnology, Inc., its affiliates, agents, and employees, and all persons acting on its or their behalf (collectively, "Vishay"), disclaim any and all liability for any errors, inaccuracies or incompleteness contained in any datasheet or in any other disclosure relating to any product.

Vishay makes no warranty, representation or guarantee regarding the suitability of the products for any particular purpose or the continuing production of any product. To the maximum extent permitted by applicable law, Vishay disclaims (i) any and all liability arising out of the application or use of any product, (ii) any and all liability, including without limitation special, consequential or incidental damages, and (iii) any and all implied warranties, including warranties of fitness for particular purpose, non-infringement and merchantability.

Statements regarding the suitability of products for certain types of applications are based on Vishay's knowledge of typical requirements that are often placed on Vishay products in generic applications. Such statements are not binding statements about the suitability of products for a particular application. It is the customer's responsibility to validate that a particular product with the properties described in the product specification is suitable for use in a particular application. Parameters provided in datasheets and / or specifications may vary in different applications and performance may vary over time. All operating parameters, including typical parameters, must be validated for each customer application by the customer's technical experts. Product specifications do not expand or otherwise modify Vishay's terms and conditions of purchase, including but not limited to the warranty expressed therein.

Hyperlinks included in this datasheet may direct users to third-party websites. These links are provided as a convenience and for informational purposes only. Inclusion of these hyperlinks does not constitute an endorsement or an approval by Vishay of any of the products, services or opinions of the corporation, organization or individual associated with the third-party website. Vishay disclaims any and all liability and bears no responsibility for the accuracy, legality or content of the third-party website or for that of subsequent links.

Except as expressly indicated in writing, Vishay products are not designed for use in medical, life-saving, or life-sustaining applications or for any other application in which the failure of the Vishay product could result in personal injury or death. Customers using or selling Vishay products not expressly indicated for use in such applications do so at their own risk. Please contact authorized Vishay personnel to obtain written terms and conditions regarding products designed for such applications.

No license, express or implied, by estoppel or otherwise, to any intellectual property rights is granted by this document or by any conduct of Vishay. Product names and markings noted herein may be trademarks of their respective owners.