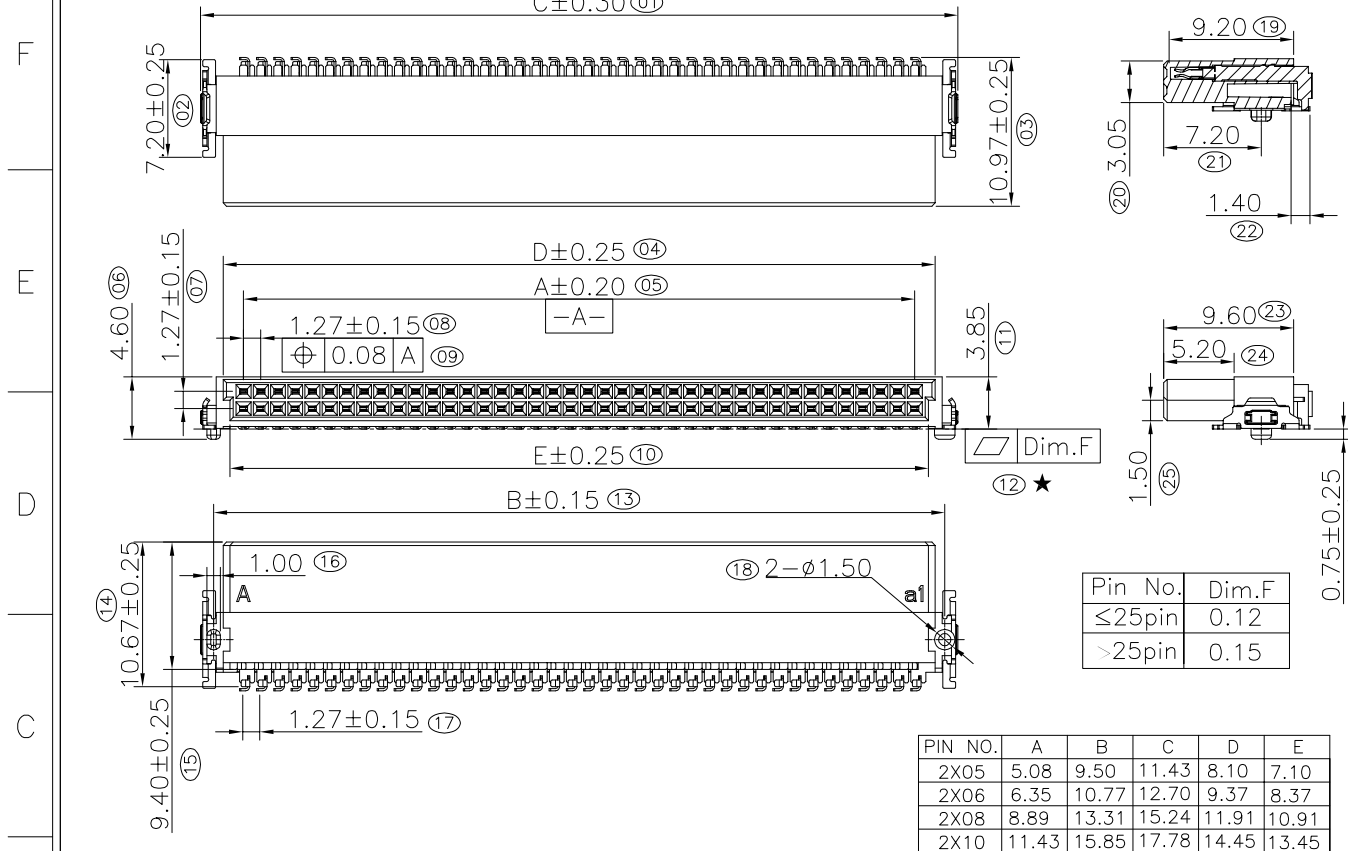


1 2 3 4 5 6 7 8 9

REV.	LOCAS.	DESCRIPTION	DATE	DRAWN
01	NEW	BATCH PRODUCTION INITIAL RELEASE.	2022.06.08	賴昌僥

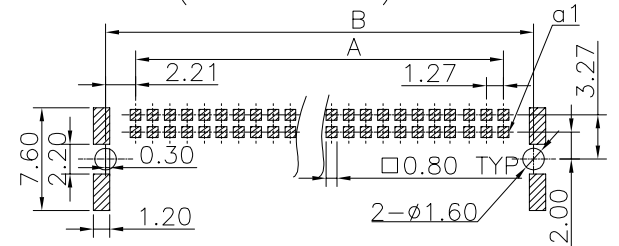


Specifications
 Current Rating: 1.7Amp/Pin
 Insulation Resistance: 10000MΩMin.
 Dielectric Withstanding Voltage: 500VAC
 Contact Resistance: 25mΩMax.
 Operating Temperature: -55°C to +125°C
 Materials
 Contact Material: Phosphor Bronze
 Insulator Material: High Temperature Thermoplastic, UL 94V-0 LCP or the equivalent material
 Colour: Black
 ☆ All materials must meet Greenconn hazardous substances control standard.
 "★": Critical Characteristics, indicates product characteristics, functionalities, and manufacturing processes regarding to customer's specifications
 "☆": Safety Features, indicates product characteristics, functionalities, and manufacturing processes complying to legal regulations stated by local government

Pin No.	Dim.F
≤25pin	0.12
>25pin	0.15

PIN NO.	A	B	C	D	E
2X05	5.08	9.50	11.43	8.10	7.10
2X06	6.35	10.77	12.70	9.37	8.37
2X08	8.89	13.31	15.24	11.91	10.91
2X10	11.43	15.85	17.78	14.45	13.45
2X13	15.24	19.66	21.59	18.26	17.26
2X16	19.05	23.47	25.40	22.07	21.07
2X20	24.13	28.56	30.49	27.15	26.15
2X25	30.48	34.90	36.83	33.50	32.50
2X30	36.83	41.25	43.18	39.85	38.85
2X34	41.91	46.33	48.26	44.93	43.93
2X40	49.53	53.95	55.88	52.55	51.55

Recommended P.C.Board Layout
 (Tolerance: ±0.05)



Ordering Information

CBED202 - XX XX B 001 C 1 A X

No. of Pins per Row: 05,06,08,10,13,16,20,25,30,34,40
 Standard Plating: 79=5u"Au/80~160u"Matte Tin, 77=15u"Gold/Matte Tin, 05=1u"Au/80~160u"Matte Tin
 Standard Packing: D=Tape&Reel

A	 Website: www.greenconn.com E-mail: sales@greenconn.com		3RD.ANG PROJ. PAGE. 1/1	GENERAL TOLERANCE		DESIGNED: 賴昌僥	DATE: 2022.06.08	DWG. NO.		TITLE.	
				X.*±5.0°	X.±0.30			CBED202-CB1CA			Pitch 1.27 Female Connector SMC 90° TYPE-Q SMT TYPE
				.X.*±3.0°	.X±0.25			PART NO.			
REV. 01	UNIT. mm	SCALE. 2:1	.XX.*±2.0°	.XX±0.20	APPROVED: 邱國延	DATE: 2022.06.08	CBED202-XXXXB001C1AX				

1 2 3 4 5 6 7 8 9