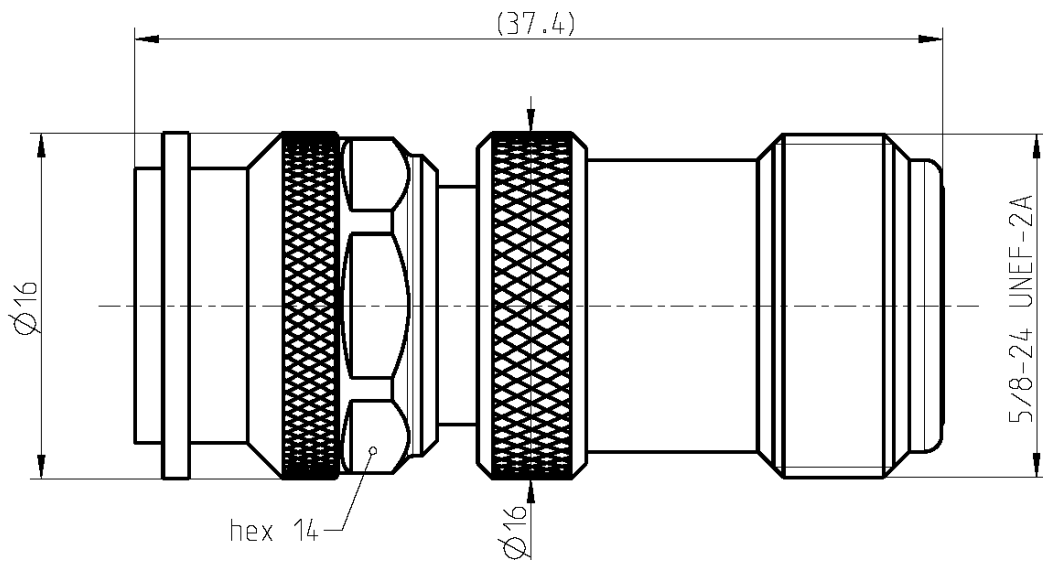
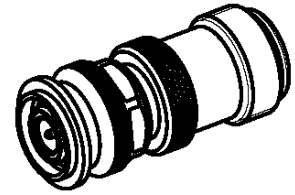


TNC 50 Ω
N 50 Ω

Adaptor
TNC 50 Ω Plug –
N 50 Ω Jack

56S153-K00N5



All dimensions are in mm; tolerances according to ISO 2768 m-H

Interface

According to	TNC side	IEC 60169-17, MIL-PRF-39012, DIN EN 122200
	N side	IEC 61169-16, MIL-PRF-39012, CECC 22210

Documents

N/A

Material and plating

Connector parts

Center contact TNC and N side
Outer contact TNC and N side
Body
Dielectric
Gasket

Material

CuBe
Brass
Brass
PTFE
NeopreneCR 50C6

Plating

AuroDur®, gold plated
Flash white bronze over silver(e.g. Optargen®)
Flash white bronze over silver(e.g. Optargen®)

TNC 50 Ω
N 50 Ω

Adaptor
TNC 50 Ω Plug –
N 50 Ω Jack

56S153-K00N5

Electrical data

Impedance 50 Ω
 Frequency DC to 10 GHz
 Return loss ≥ 35 dB @ DC to 1 GHz
 ≥ 25 dB @ 1 GHz to 2.5 GHz
 ≥ 22 dB @ 2.5 GHz to 3 GHz
 Insertion loss ≤ 0.1 x √ f [GHz] dB, DC to 3 GHz
 Insulation resistance ≥ 5 GΩ
 Center contact resistance ≤ 1.5 mΩ TNC side ≤ 1 mΩ N side
 Outer contact resistance ≤ 1 mΩ TNC side ≤ 0.25 mΩ N side
 Test voltage (at sea level) 1500 V rms
 Working voltage (at sea level) 500 V rms
 Power handling (at 20 °C, sea level, VSWR 1.0) 80 W @ 2 GHz

Mechanical data

	TNC side	N side
Mating cycles	≥ 500	≥ 500
Center contact captivation: axial	≥ 28 N	≥ 28 N
Coupling test torque	≤ 1.7 Nm	≤ 1.7 Nm
Recommended torque	0.46 Nm to 0.69 Nm	0.7 Nm to 1.1 Nm

Environmental data

Temperature range -55 °C to +155 °C
 Thermal shock MIL-STD-202, Method 107, Condition B
 Corrosion MIL-STD-202, Method 101, Condition B
 Vibration MIL-STD-202, Method 204, Condition B
 Shock MIL-STD-202, Method 213, Condition G
 Moisture resistance MIL-STD-202, Method 106
 RoHS compliant

Tooling

N/A

Suitable cables

N/A

Weight

Weight 33.6 g/pce

While the information has been carefully compiled to the best of our knowledge, nothing is intended as representation or warranty on our part and no statement herein shall be construed as recommendation to infringe existing patents. In the effort to improve our products, we reserve the right to make changes judged to be necessary.

For the installation of the electrotechnical equipment, particular electrotechnical expertise is required.



Draft	Date	Approved	Date	Rev.	Engineering change number	Name	Date
Rong Fang	21.04.05	Rong Fang	21.03.23	g00	23-0004	S. Huber-Siegl	21.03.23

Rosenberger Hochfrequenztechnik GmbH & Co. KG
 P.O.Box 1260 D-84526 Tittmoning Germany
www.rosenberger.com

Tel. : +49 8684 18-0
 Email : info@rosenberger.com

Page
2 / 2