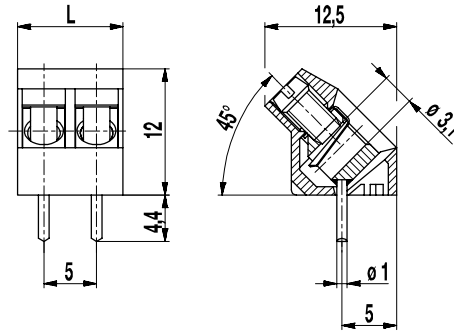
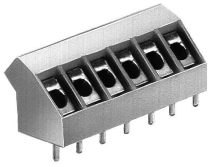


# 974(-DS)

PCB connector

Screw connection 45°-angle to PCB



## GENERAL INFORMATION

|              |        |
|--------------|--------|
| Pitch        | 5 mm   |
| No. of poles | 2 - 26 |

## TECHNICAL DATA

|                          |   |       |       |
|--------------------------|---|-------|-------|
| Clamping Range           | solid / stranded / AWG  |       |       |
| without wire protector   | 1 - 6 mm <sup>2</sup> / 1 - 2,5 mm <sup>2</sup> / 16 - 12 AWG       |       |       |
| with wire protector      | 0,75 - 4 mm <sup>2</sup> / 0,75 - 2,5 mm <sup>2</sup> / 18 - 12 AWG |       |       |
| Rated Cross Section      | 2,5 mm <sup>2</sup>   |       |       |
| Wire Stripping Length    | 6,5 mm ± 0,5 mm   |       |       |
| Overvoltage Category     | III   | III   | II    |
| Pollution Severity Level | 3   | 2     | 2     |
| Rated Voltage            | 250 V   | 320 V | 630 V |
| Rated Impulse Voltage    | 4 kV  | 4 kV  | 4 kV  |
| Rated Current            | 24 A  |       |       |
| Hole in PCB              | ø 1,3 mm  |       |       |
| Torque                   | 0,5 Nm  |       |       |

## APPROVALS

|  | Current [A] | Voltage [V] | Group           | AWG       | [Nm] |
|--|-------------|-------------|-----------------|-----------|------|
|  | 20          | 300         | B               | 22-12 [1] | 0,51 |
|  | 10          | 300         | D               | 22-12 [1] | 0,51 |
|  | 20          | 300         | B               | 26 - 12   | 0,51 |
|  | 10          | 300         | D, E            | 26 - 12   | 0,51 |
|  | Current [A] | Voltage [V] | mm <sup>2</sup> |           |      |
|  | 24          | 250         | 2,5 [2]         |           |      |

## MATERIAL

|                            |   |
|----------------------------|---|
| Moulding                   | PA, grey, V-0                           |
| Comparative Tracking Index | CTI ≥ 600                               |
| Insulating Group           | I                                       |
| Temperature Range          | -40°C up to 100°C                       |
| Terminal body              | Tin plated brass                        |
| Screw                      | M3; zinc plated steel, clear passivated |
| Solder pin                 | ø 1 mm; tin plated copper               |
| Wire protector             | Tin plated tin bronze                   |

## OPTIONS / ACCESSORIES

- Consecutive numbering
- Special marking according to drawing
- Self-adhesive marking strip BST-5,00
- Longer solder pins up to 95 mm
- Special wire protector for very thin conductors
- Version with raised foot of 1,6 mm
- With base plate, see 974-BP
- With extended screw guide (974-C)

[1] Min No. 26 AWG for factory-wiring only  
 [2] Acc. to IEC 60947-7-4 und IEC 60947-1

## CONFIGURATIONS

| Poles | Part number | Article number | Part number | Article number | Length (L) | Packaging | PU  |
|-------|-------------|----------------|-------------|----------------|------------|-----------|-----|
| 2     | 974/02      | 10.874.002     | 974-DS/02   | 20.874.002     | 10,00 mm   | Box       | 250 |
| 3     | 974/03      | 10.874.003     | 974-DS/03   | 20.874.003     | 15,00 mm   | Box       | 250 |
| 4     | 974/04      | 10.874.004     | 974-DS/04   | 20.874.004     | 20,00 mm   | Box       | 200 |
| 5     | 974/05      | 10.874.005     | 974-DS/05   | 20.874.005     | 25,00 mm   | Box       | 100 |
| 6     | 974/06      | 10.874.006     | 974-DS/06   | 20.874.006     | 30,00 mm   | Box       | 100 |

