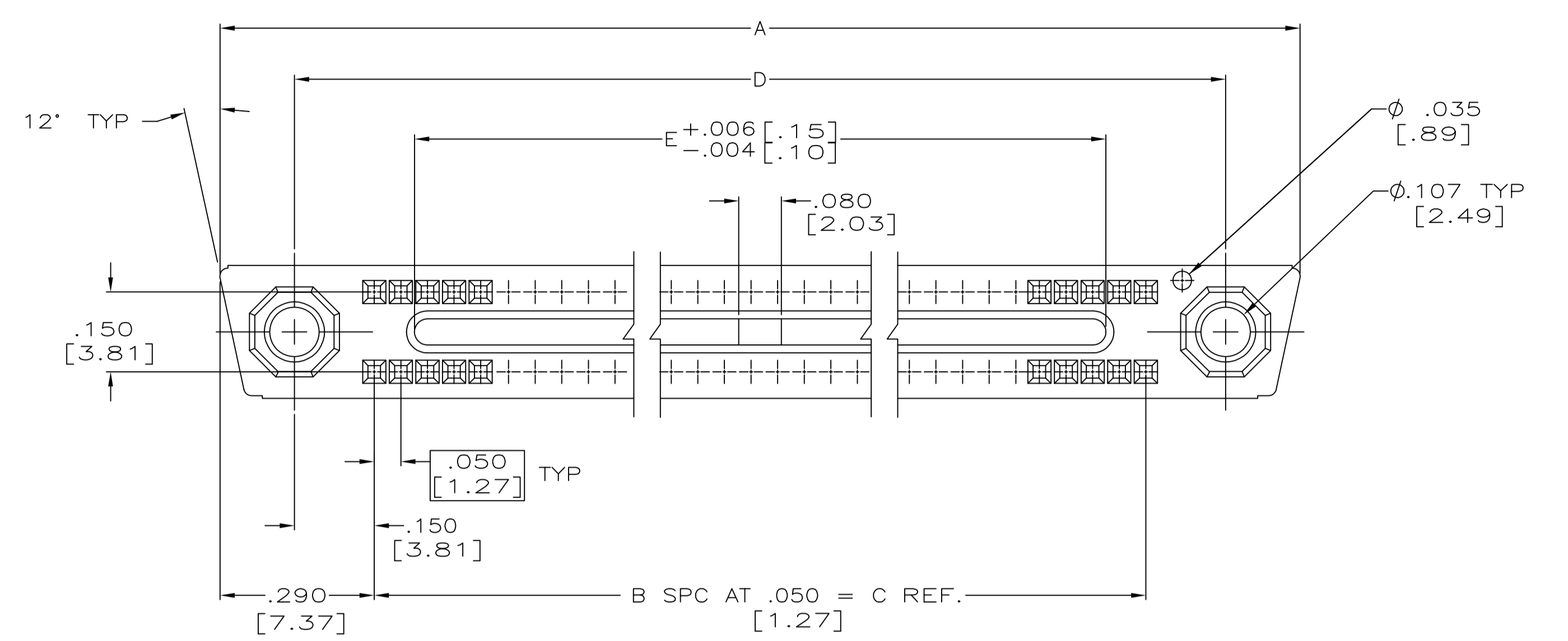
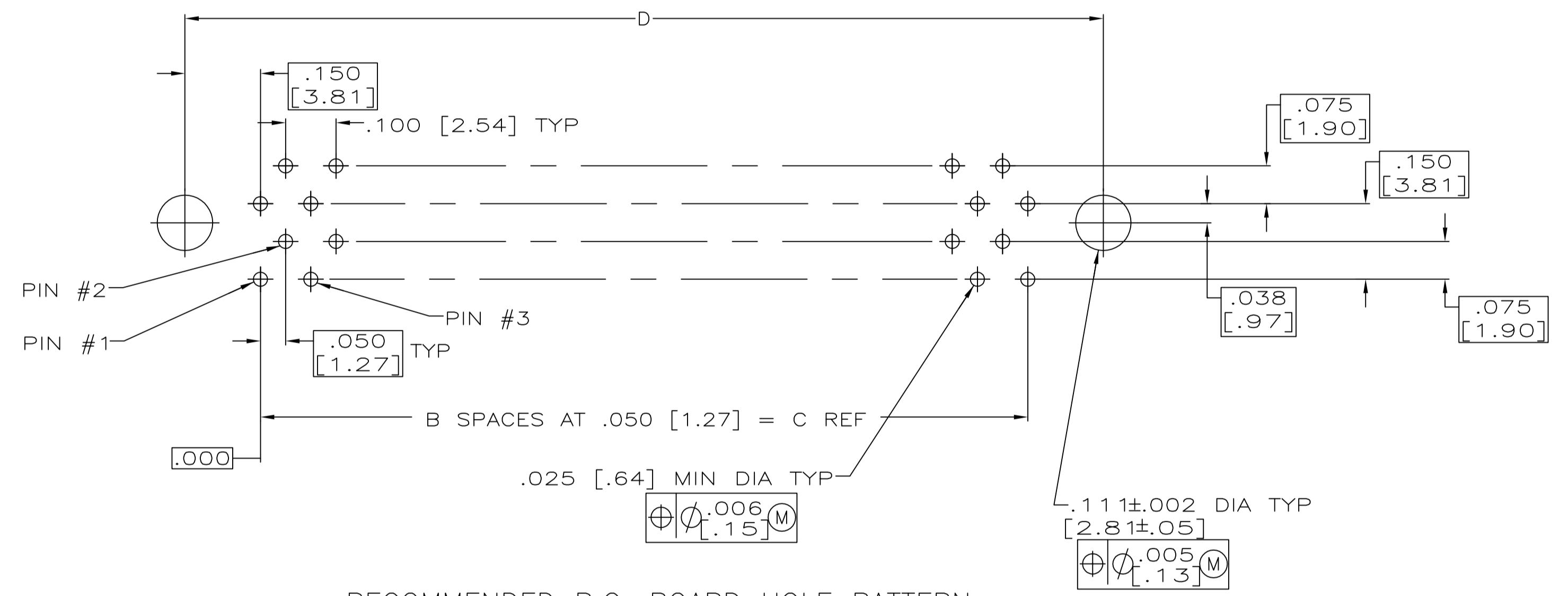
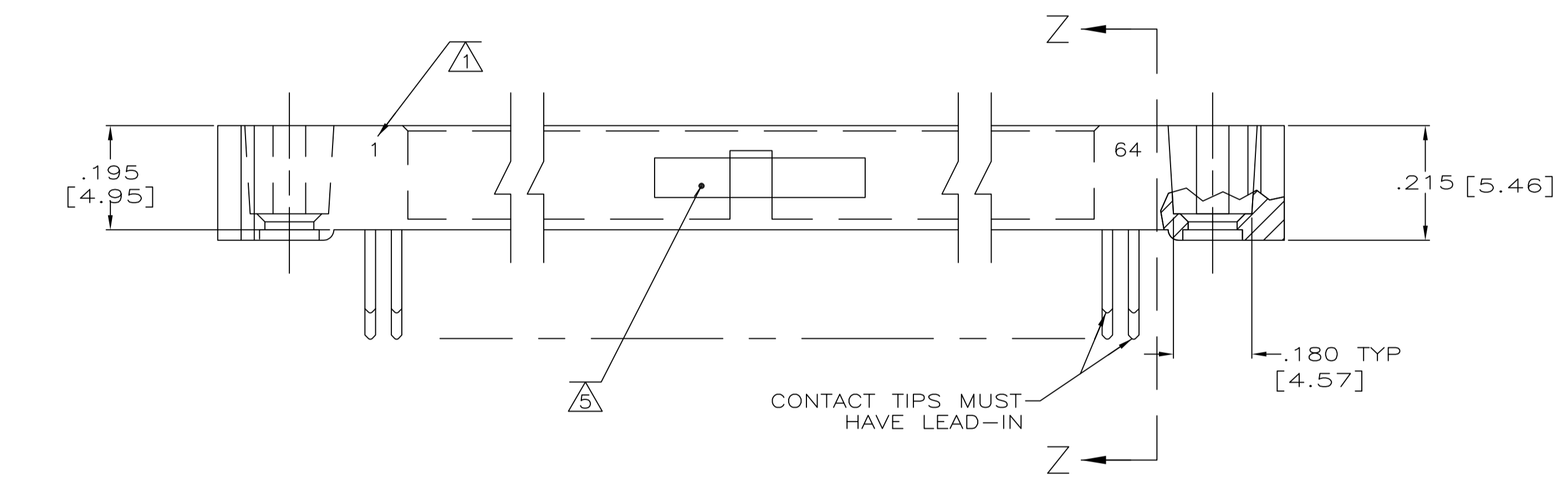


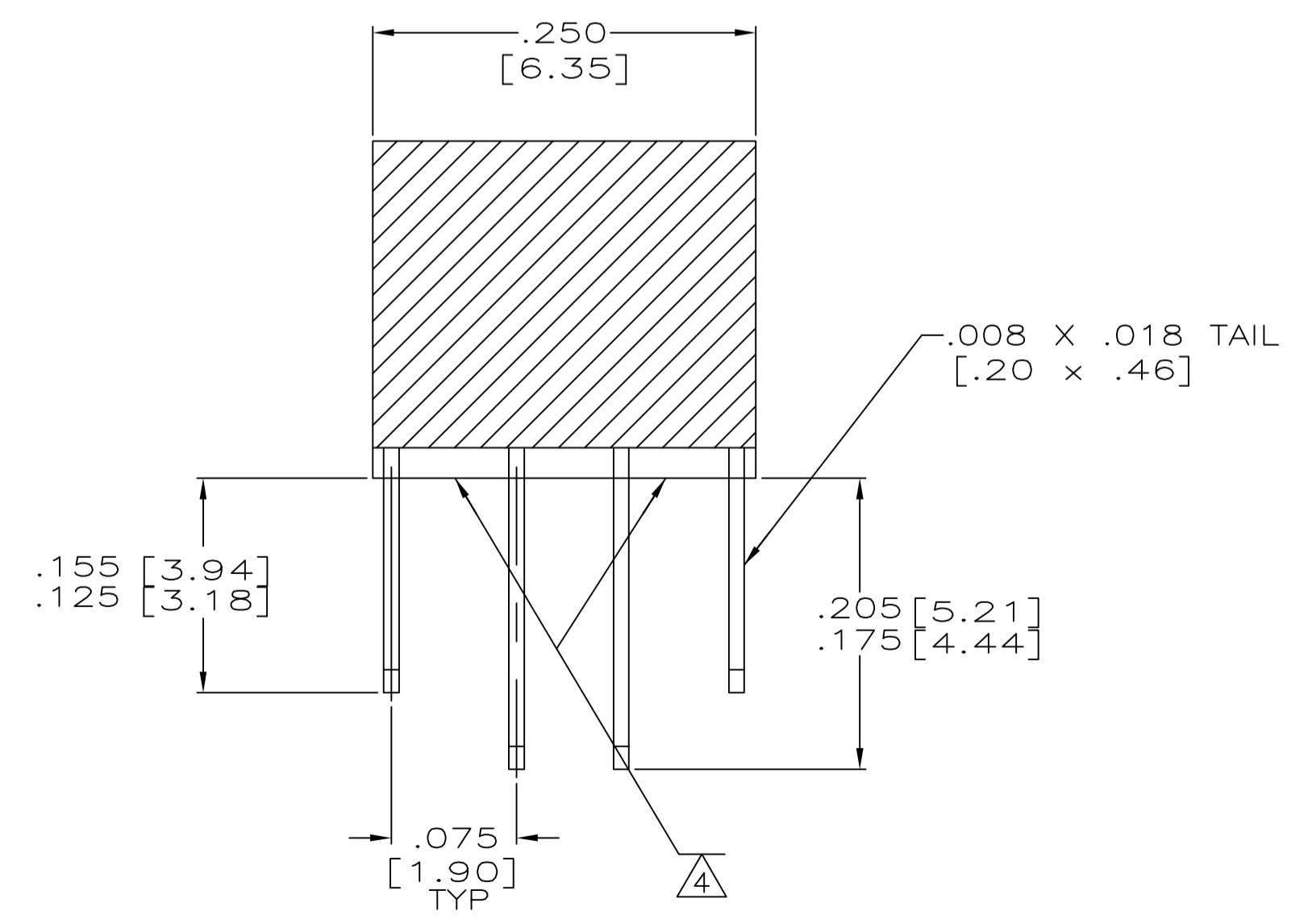
REVISIONS				
P	LTR	DESCRIPTION	DATE	OWN APVD
A		REVISED PER ECO-16-017894	27APR2017	PHM CT



- 1. NUMBERS INDICATING END POSITIONS MARKED THIS SIDE ONLY.
- 2. MEETS ALL APPLICABLE REQUIREMENTS OF MIL-C-55302.
- 3. HOUSING MATERIAL: LIQUID CRYSTAL POLYMER PER MIL-M-24519, GLCP-30F; COLOR: GRAY.
- 4. EPOXY IS ADDED TO BOTTOM OF HOUSING FOR INCREASED CONTACT RETENTION AND SEALING.
- 5. AMP, PART NUMBER, CUSTOMER PART NUMBER AND DATE CODE MARKED IN THIS APPROXIMATE AREA.



RECOMMENDED P.C. BOARD HOLE PATTERN (CONNECTOR SIDE)



SECTION Z-Z  
SCALE 10:1

4	94987-232332-1	1 - 64	3.600 [91.44]	3.450 [87.63]	3.150 [80.01]	63	3.850 [97.79]	128	443111-1
REMARKS	CUSTOMER PART NUMBER	CAVITY IDENT	E	D	C	B	A	NO OF POSN	PART NUMBER

THIS DRAWING IS A CONTROLLED DOCUMENT.

DIMENSIONS:	mm	0 PLC ± -	1 PLC ± -	2 PLC ± -	3 PLC ± .005 [13]	4 PLC ± -	ANGLES ± -	FINISH	.00050 GOLD IN CONTACT AREA TN-LEAD ON TAILS
TOLERANCES UNLESS OTHERWISE SPECIFIED:		DWN T. ALEXANDER 3-7-95		D.W. 3-8-95		APVD D. GUTTER 3-8-95		NAME	
MATERIAL		STE		TE Connectivity		PRODUCT SPEC		RECEPTACLE ASSEMBLY, SEALED, MINI-BOX, W/SPECIAL MARKING	
APPLICATION SPEC		SIZE		CAGE CODE		DRAWING NO		RESTRICTED TO	
WEIGHT		A1		00779		C=443111		SCALE	
CUSTOMER DRAWING		SCALE		5:1		SHEET		1 OF 1	
								REV A	