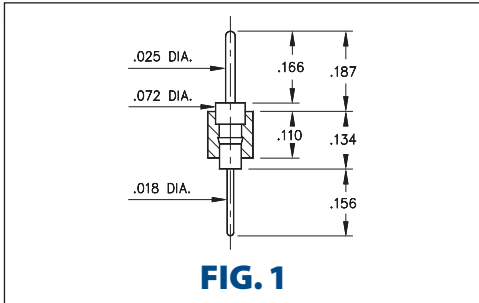
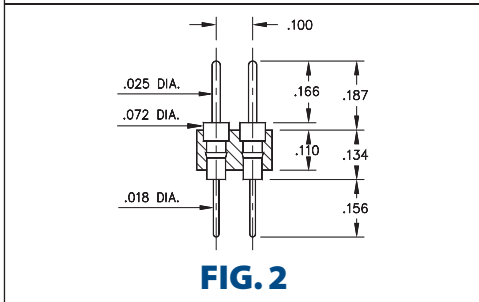


# INTERCONNECTS

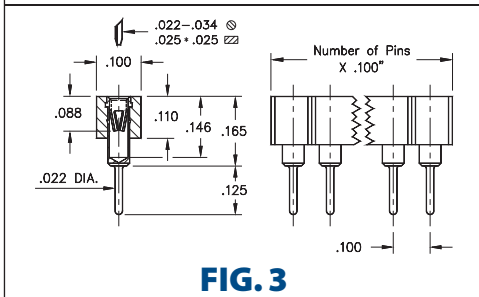
## SERIES 350, 450, 801, 803 • .100" GRID (.025" DIA. PINS), LOW PROFILE HEADERS & VERSATILE SOCKETS • SINGLE & DOUBLE ROW STRIPS



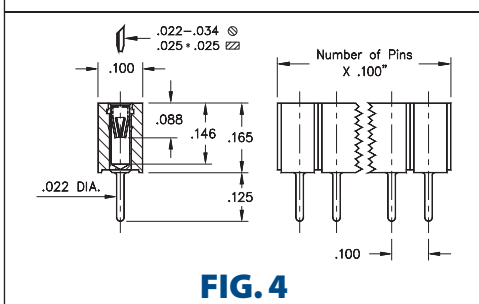
**FIG. 1**



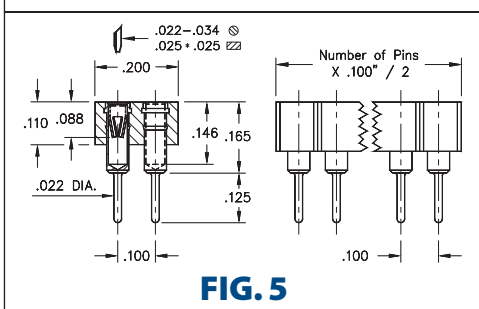
**FIG. 2**



**FIG. 3**

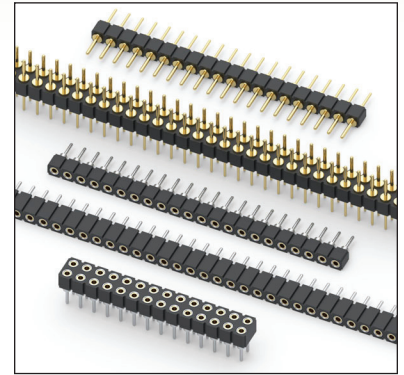


**FIG. 4**



**FIG. 5**

- Series 350 and 450 single and double row pin headers use MM #0290 pins. See page 215 for details
- Series 801 and 803 single and double row low profile sockets use MM #1303 receptacles. See page 180 for details
- Series 801 and 803 receptacles use Hi-Rel, 6-finger BeCu #16 contact rated at 4.5 amps. Receptacles accept .025" diameter and .025" square pins. See page 256 for details
- Insulators are high temperature thermoplastic, suitable for all soldering operations



### ORDERING INFORMATION

<b>FIG. 1</b>	<b>Series 350...001</b> <b>Single Row .025" Pin / .018" Solder Tail</b>																		
	350-XX-1__-00-001000 Specify number of pins    01-64																		
<b>FIG. 2</b>	<b>Series 450...001</b> <b>Double Row .025" Pin / .018" Solder Tail</b>																		
	450-XX-2__-00-001000 Specify number of pins    04-64																		
<span style="margin-left: 100px;">XX=Plating Code See Below</span> <span style="margin-left: 100px;">For Electrical, Mechanical &amp; Environmental Data, See page 264</span>																			
<table border="1" style="width: 100%; border-collapse: collapse;"> <tr> <td style="width: 25%;"><b>SPECIFY PLATING CODE XX=</b></td> <td style="width: 12.5%; text-align: center;">10 </td> <td style="width: 12.5%; text-align: center;">90</td> <td style="width: 12.5%; text-align: center;">40 </td> <td style="width: 12.5%;"></td> </tr> <tr> <td>Pin Plating </td> <td style="text-align: center;">10 μ" Au</td> <td style="text-align: center;">200 μ" Sn/Pb</td> <td style="text-align: center;">200 μ" Sn</td> <td></td> </tr> </table>		<b>SPECIFY PLATING CODE XX=</b>	10	90	40		Pin Plating	10 μ" Au	200 μ" Sn/Pb	200 μ" Sn									
<b>SPECIFY PLATING CODE XX=</b>	10	90	40																
Pin Plating	10 μ" Au	200 μ" Sn/Pb	200 μ" Sn																
<b>FIG. 3</b>	<b>Series 801...003</b> <b>Low Profile Socket (short insulator)</b>																		
	801-XX-0__-10-003000 Specify number of pins    01-64																		
<b>FIG. 4</b>	<b>Series 801...013</b> <b>Low Profile Socket (long insulator)</b>																		
	801-XX-0__-10-013000 Specify number of pins    01-36																		
<b>FIG. 5</b>	<b>Series 803...003</b> <b>Double Row Low Profile Socket</b>																		
	803-XX-0__-10-003000 Specify number of pins    04-72																		
<span style="margin-left: 100px;">XX=Plating Code See Below</span> <span style="margin-left: 100px;">For Electrical, Mechanical &amp; Environmental Data, See page 264</span>																			
<table border="1" style="width: 100%; border-collapse: collapse;"> <tr> <td style="width: 25%;"><b>SPECIFY PLATING CODE XX=</b></td> <td style="width: 12.5%;"></td> <td style="width: 12.5%;"></td> <td style="width: 12.5%; text-align: center;">41 </td> <td style="width: 12.5%; text-align: center;">43 </td> <td style="width: 12.5%;"></td> </tr> <tr> <td>Sleeve (Pin) </td> <td></td> <td></td> <td style="text-align: center;">200 μ" Sn</td> <td style="text-align: center;">200 μ" Sn</td> <td></td> </tr> <tr> <td>Contact (Clip) </td> <td></td> <td></td> <td style="text-align: center;">10 μ" Au</td> <td style="text-align: center;">30 μ" Au</td> <td></td> </tr> </table>		<b>SPECIFY PLATING CODE XX=</b>			41	43		Sleeve (Pin)			200 μ" Sn	200 μ" Sn		Contact (Clip)			10 μ" Au	30 μ" Au	
<b>SPECIFY PLATING CODE XX=</b>			41	43															
Sleeve (Pin)			200 μ" Sn	200 μ" Sn															
Contact (Clip)			10 μ" Au	30 μ" Au															

