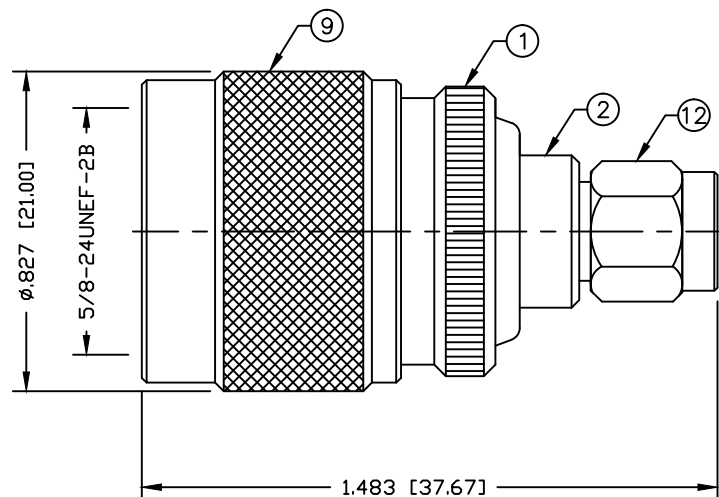


PART NO.

**RP-3453**

REV	DESCRIPTION	DWN	DATE	APPROVED
A	UPDATED TB FORMAT	CZS	02/17/17	JDMc

**SPECIFICATIONS:**

IMPEDANCE: 50 Ohms

FREQUENCY RANGE: 0–11 GHz

WORKING VOLTAGE: 375 V rms @ sea level

TEMPERATURE RANGE: –65°C TO 85°C

INSULATION RESISTANCE: 5k M Ohms min.

12	SHELL	1	BRASS	NICKEL, 100 $\mu$ "	<p style="text-align: center;">CUSTOMER OUTLINE DRAWING</p> <hr/> <p style="text-align: center;">ALL DIMENSIONS ARE REFERENCE ONLY</p> <p>UNLESS OTHERWISE SPECIFIED: DIMENSIONS ARE IN INCHES AND [MILLIMETERS]</p>	<p><b>RoHS</b> COMPLIANT</p>	<p><b>RFconnectors</b> DIVISION OF RF INDUSTRIES, LTD.</p>	<p>7610 MIRAMAR RD. SAN DIEGO, CA 92126 (858) 549-6340 (858) 549-6345 FAX</p>								
11	RETAINING RING	1	Be. Cu.	NICKEL, 100 $\mu$ "												
10	GASKET	1	SILICONE	---												
9	SHELL	1	BRASS	NICKEL, 100 $\mu$ "												
8	RETAINING RING	1	SUS 304	NICKEL, 100 $\mu$ "												
7	GASKET	1	SILICONE	---												
6	GROUND RING	1	BRASS	NICKEL, 100 $\mu$ "												
5	CONTACT	1	Be.Cu.	GOLD, 3 $\mu$ "												
4	INSULATOR	1	PTFE	---												
3	INSULATOR	1	PTFE	---												
2	BODY	1	BRASS	NICKEL, 100 $\mu$ "												
1	BODY	1	BRASS	NICKEL, 100 $\mu$ "												
#	DESCRIPTION	QTY	MATERIAL	FINISH	<p>DRAWN C. ZUNIGA      02/17/17</p> <p>CHECKED</p> <p>ORJ DRAWN C. ZUNIGA      06/06/03</p>	<p>PROPRIETARY AND CONFIDENTIAL</p> <p>THIS DRAWING CONTAINS INFORMATION PROPRIETARY TO RF INDUSTRIES. ANY UNAUTHORIZED USE OF THIS DRAWING IS EXPRESSLY PROHIBITED WITHOUT WRITTEN PERMISSION FROM RF INDUSTRIES. ANY VIOLATION IS PUNISHABLE UNDER U.S. COPYRIGHT LAWS.</p>	<p><b>SMA PLUG REVERSE POLARITY TO N PLUG ADAPTER</b></p>	<table border="1"> <tr> <td>SIZE</td> <td>CABLE GROUP</td> <td>DWG NO.</td> <td>REV</td> </tr> <tr> <td>A</td> <td>N/A</td> <td><b>RP-3453</b></td> <td>A</td> </tr> </table>	SIZE	CABLE GROUP	DWG NO.	REV	A	N/A	<b>RP-3453</b>	A
SIZE	CABLE GROUP	DWG NO.	REV													
A	N/A	<b>RP-3453</b>	A													
SCALE:		ENGINEERING ID:		SHEET 1 OF 1												
NTS		008974														