

4

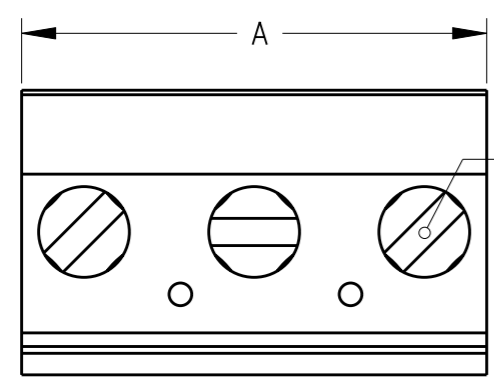
3

2

1

THIS DRAWING IS UNPUBLISHED. RELEASED FOR PUBLICATION 20
 © COPYRIGHT 20 BY TYCO ELECTRONICS CORPORATION. ALL RIGHTS RESERVED.

LOC	DIST	REVISIONS			
P	LTR	DESCRIPTION	DATE	DWN	APVD
		B	REVISED PER OG3B-0119-01	04JAN2002	EZ DB
		CI	REVISED PER ECO-08-003244	06FEB2008	SS CR

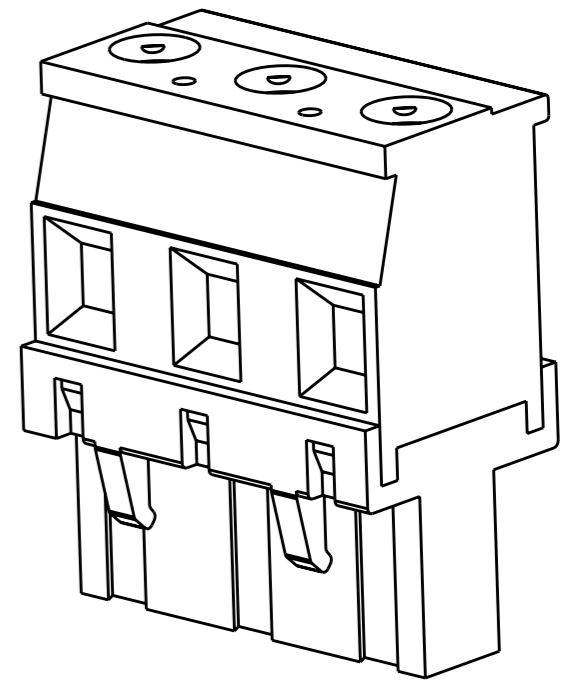


CLAMPING SCREW

1 MATERIALS AND FINISH
 HOUSING: PA 6-6, UL 94-V0, COLOR GREEN.
 CLAMP: BRASS, NICKEL PLATED.
 DOUBLE SIDE CONTACT SPRING : PHOSPHOR BRONZE, TIN PLATED.
 CLAMPING SCREW: M3, BRASS, NICKEL PLATED.

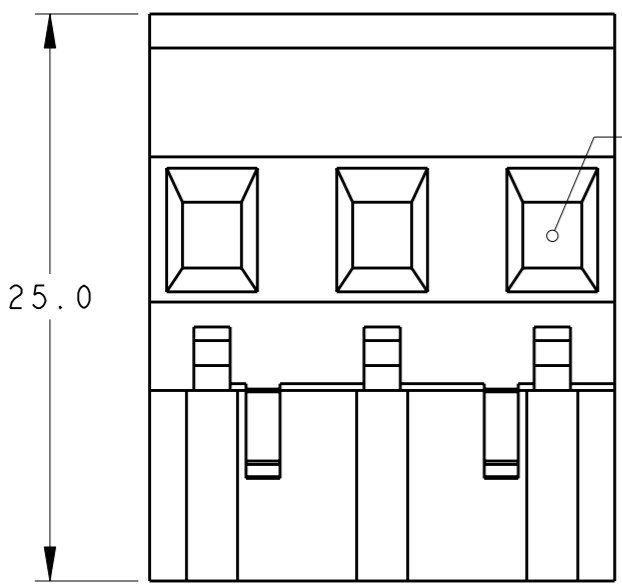
2 WIRE SIZE RANGE:
 12 - 30 AWG

3 NOT CUMULATIVE TOLERANCE.



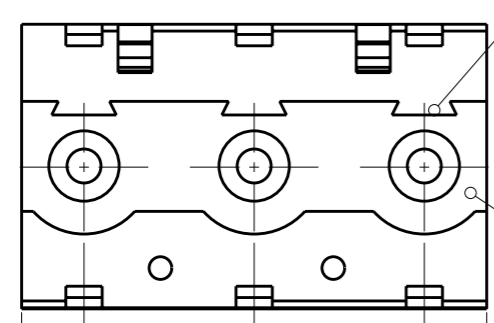
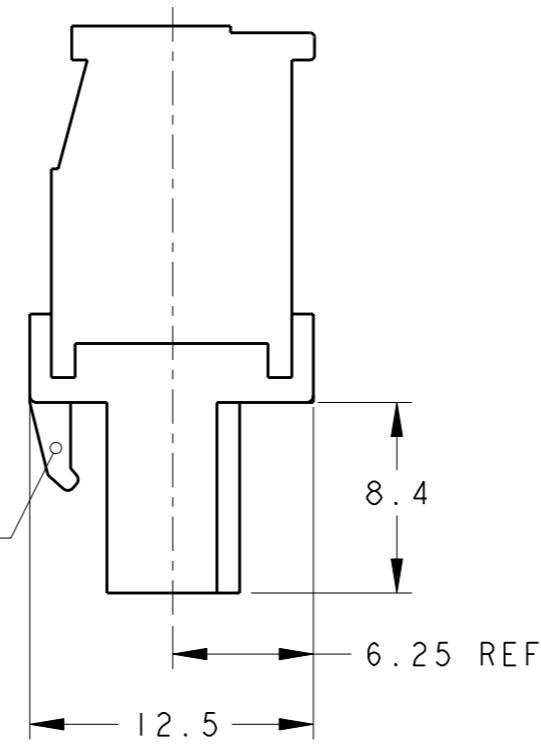
284049-3 AS SHOWN

DIM. A	N° OF POS.	PART NUMBER
89.44	12	1-284049-2
81.82	11	1-284049-1
74.20	10	1-284049-0
66.58	9	284049-9
58.96	8	284049-8
51.34	7	284049-7
43.72	6	284049-6
36.10	5	284049-5
28.48	4	284049-4
20.86	3	284049-3
13.24	2	284049-2



WIRE ENTRY

RETENTION LATCH



POLARIZATION KEY SLOT

MATING FACE

2.81 REF

7.62±0.08 3

<small>THIS DRAWING IS A CONTROLLED DOCUMENT FOR TYCO ELECTRONICS CORPORATION IT IS SUBJECT TO CHANGE AND THE CONTROLLING ENGINEERING ORGANIZATION SHOULD BE CONTACTED FOR THE LATEST REVISION.</small>		DWN 04JAN2002 E. ZANOLINI CHK 04JAN2002 E. ZANOLINI APVD 04JAN2002 D. BIEVENOUR		Tyco Electronics Harrisburg, PA 17105-3608	
DIMENSIONS: mm		TOLERANCES UNLESS OTHERWISE SPECIFIED: 0 PLC ±- 1 PLC ±.3 2 PLC ±.25 3 PLC ±- 4 PLC ±- ANGLES ±2		NAME TERMINAL BLOCK VERTICAL PLUG STACKING, RIGHT HAND 7.62mm PITCH	
MATERIAL - 1		FINISH - 1		SIZE A3 CAGE CODE 00779 DRAWING NO C-284049 RESTRICTED TO -	
CUSTOMER DRAWING				SCALE 3:1 SHEET 1 OF 1 REV CI	