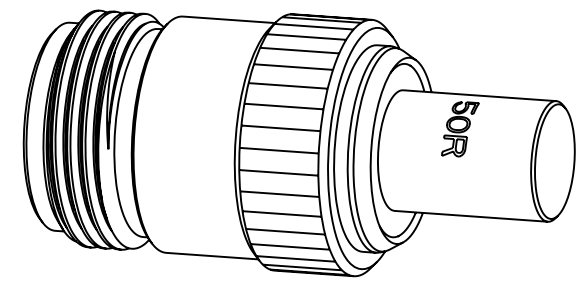


NOTES:

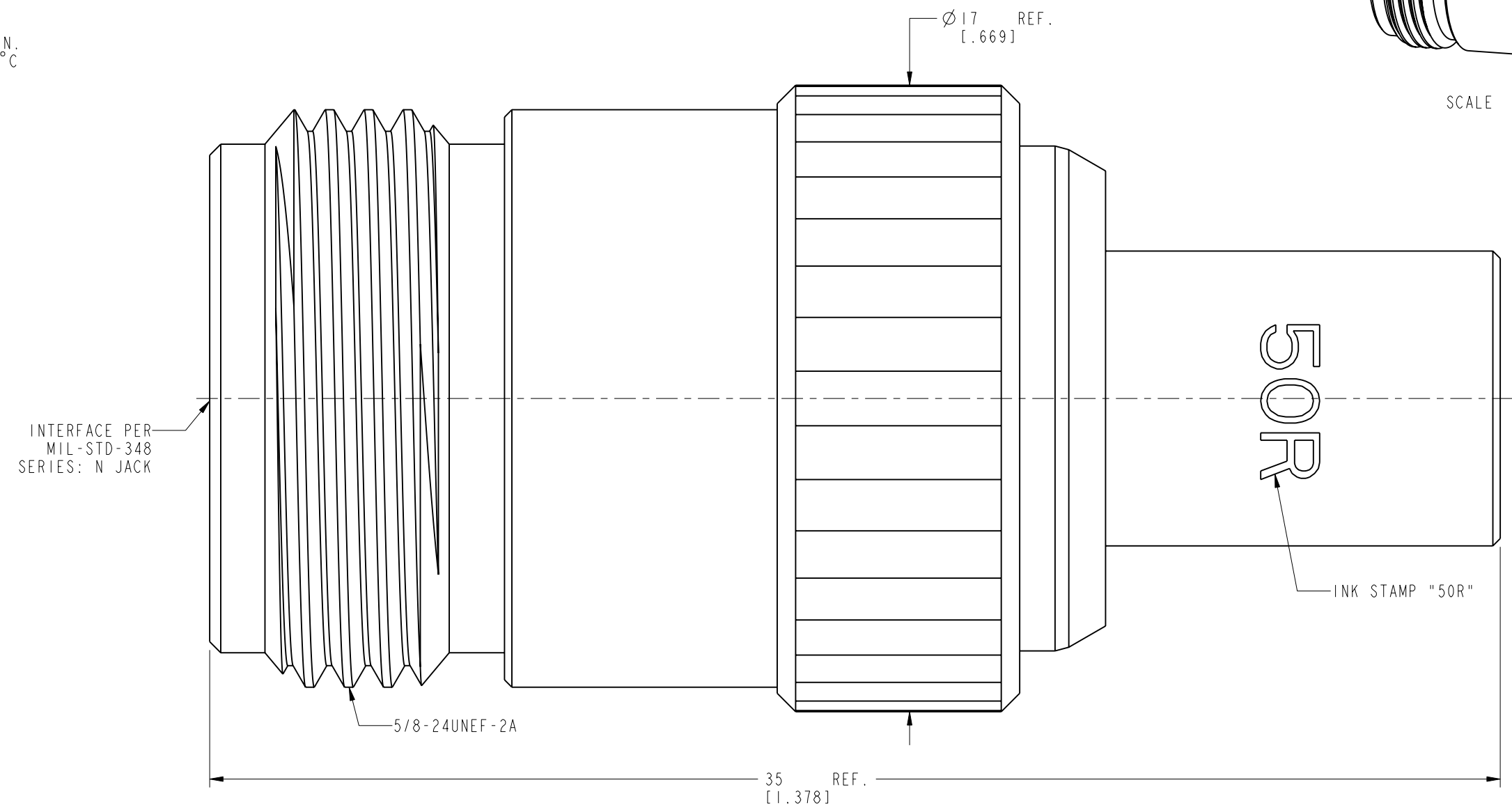
1. MATERIALS AND FINISHES:
  - BODY - BRASS, WHITE BRONZE PLATING
  - BARREL - BRASS, WHITE BRONZE PLATING
  - COVER - BRASS, WHITE BRONZE PLATING
  - CONTACT - PHOSPHOR BRONZE, GOLD PLATING
  - INSULATOR - PTFE, NATURAL
  - RESISTOR - 1W, 50R
2. ELECTRICAL:
  - A. IMPEDANCE: 50 OHM
  - B. FREQUENCY RANGE: DC - 500 MHZ
  - C. VSWR(RETURN LOSS): 1.5 MAX.
3. MECHANICAL:
  - A. DURABILITY: 500 CYCLES MIN.
  - B. TEMPERATURE RANGE: -65°C TO +165°C

THIRD ANGLE PROJ.

		REVISIONS		
REV	DESCRIPTION	DATE	ECN	APPR
NC	INITIAL RELEASE	30-Oct-05	-----	GRS
B	SYNC, CHANGE THE VSWR TO "1.5 MAX. @ 0-500 MHZ"	29-Jan-19	10363	SH



SCALE 2.000



**CUSTOMER OUTLINE DRAWING**  
ALL OTHER SHEETS ARE FOR INTERNAL USE ONLY

UNLESS OTHERWISE SPECIFIED, DIMENSIONS ARE IN METRIC AND TOLERANCES ARE: <0.5mm ±0.05mm    0.5 - 6mm ±0.1mm    6 - 30mm ±0.2mm    30 - 120mm ±0.3mm    ANGLES ±1°	MATERIAL	DRAWN M. ZHANG DATE 28-Jan-19	TITLE N STR TERMINATOR JACK 50 OHM 5%, 1 WATT	Amphenol RF www.amphenolrf.com	
	REFERENCE EAR# REF: CONFIGURATION LEVEL: FINISH	ENGINEER G. WANG DATE 10-Jan-19 APPROVED S. HSIEH DATE 28-Jan-19 CAD FILE		SCALE: 7.0:1.0    SHEET 2 OF 2 DWG SIZE B    REV B	DRAWING NO. N6004A1-AT30GA-50R-0.05-1W ITEM NO. 036004AAA00AG0F PART NO. 202110

NOTICE - These drawings, specifications, or other data (1) are, and remain the property of Amphenol corp. (2) must be returned upon request; and (3) are confidential and not to be disclosed to any person other than those to whom they are given by Amphenol Corp. the furnishing of these drawings, specifications, or other data by Amphenol Corp., or to any other person to anyone for any purpose is not to be regarded by implication or otherwise in any manner licensing, granting rights to permitting such holder or any other person to manufacture, use or sell any product, process or design, patented or otherwise, that may in any way be related to or disclosed by said drawings, specifications, or other data.