

Waterproof Rocker Switches

Miniature Illuminated



Features

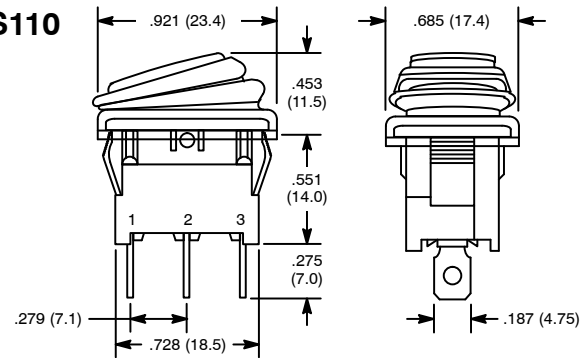
- **Waterproof:** IP65
- **Single Pole**
- **.187" Quick Connect Terminals**



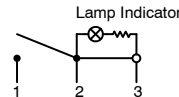
| NTE Type No. | Circuitry | Action | | | Actuator | | | Diag No. | |
|--------------|-----------|--------|------|-----|----------|-------|-------|----------|------|
| | | | | | Material | Color | | | Vltg |
| | | | | | | Neon | LED | | |
| 54-200W | SPST | ON | NONE | OFF | PC | Red | - | AC | S110 |
| 54-201W | SPST | ON | NONE | OFF | PC | - | Red | DC | S110 |
| 54-202W* | SPDT | ON | NONE | ON | PC | Black | | N/A | S110 |
| 54-203W | SPST | ON | NONE | OFF | PC | Green | - | AC | S110 |
| 54-204W | SPST | ON | NONE | OFF | PC | - | Green | DC | S110 |

* Designates Non-Illuminated Type

S110

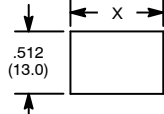


Wiring Diagram



Mounting Hole

| Panel Thickness | X |
|---------------------------|--------------|
| .030 (.750) - .059 (1.50) | .764 (19.40) |
| .059 (1.50) - .098 (2.50) | .780 (19.80) |



Specifications

- Current Rating:** 16A 125VAC 1/3 HP, 10A 250VAC 1/2 HP
- Lamp Voltage:** 110V Neon (AC) & 12V LED (DC)
- Insulation Resistance:** 100 Megohms (min.) at 500VDC
- Dielectric Strength:** 1000V RMS (min.)
- Temperature Rating:** +32° to +185°F (0° to +85°C)
- Electrical Life:** 10,000 cycles
- Mechanical Life:** 50,000 cycles at full load
- Terminal Type:** .187" Tab Q.C.
- Mounting Hole:** See Table 1

Miniature Illuminated



Features

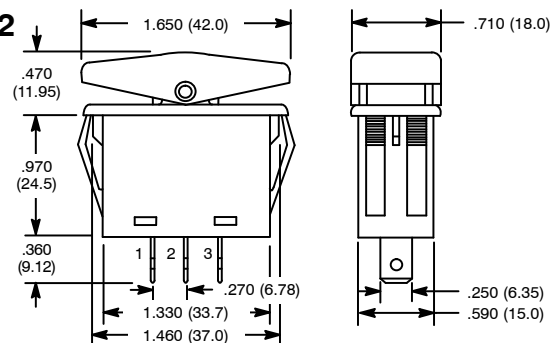
- **Waterproof:** IP66
- **Single Pole**
- **.250" Quick Connect Terminals**



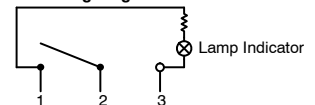
| NTE Type No. | Circuitry | Action | | | Actuator | | | Diag No. | |
|--------------|-----------|--------|------|-----|----------|-------|-------|----------|------|
| | | | | | Material | Color | | | Vltg |
| | | | | | | Neon | LED | | |
| 54-215W | SPST | ON | NONE | OFF | PC | Red | - | AC | S112 |
| 54-216W | SPST | ON | NONE | OFF | PC | - | Red | DC | S112 |
| 54-219W | SPST | ON | NONE | OFF | PC | Green | - | AC | S112 |
| 54-220W | SPST | ON | NONE | OFF | PC | - | Green | DC | S112 |
| 54-221W* | SPST | ON | NONE | OFF | PC | Black | | N/A | S112 |

* Designates Non-Illuminated Type

S112



Wiring Diagram



Specifications

- Current Rating:** 20A 125VAC 1/3 HP, 10A 250VAC 3/4 HP, 20A 14VAC, 10A 24VAC
- Lamp Voltage:** 110V Neon (AC) & 12V LED (DC)
- Insulation Resistance:** 100 Megohms (min.) at 500VDC
- Dielectric Strength:** 1500V RMS (min.)
- Temperature Rating:** +32° to +185°F (0° to +85°C)
- Electrical Life:** 10,000 cycles
- Mechanical Life:** 50,000 cycles at full load
- Terminal Type:** .250" Tab Q.C.
- Mounting Hole:** 1.450 (36.8) x .600 (15.2)

Waterproof Rocker Switches

Round Illuminated



Features

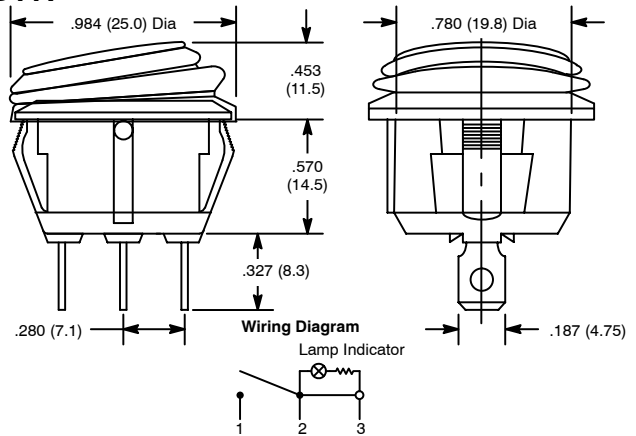
- **Waterproof:** IP65
- **Single Pole**
- **.187" Quick Connect Terminals**



| NTE Type No. | Circuitry | Action | | | Actuator | | | Diag No. | |
|--------------|-----------|--------|------|-----|----------|-------|-------|----------|------|
| | | | | | Material | Color | | | Vltg |
| | | | | | | Neon | LED | | |
| 54-503W* | SPST | ON | NONE | OFF | Nylon | Black | N/A | S117 | |
| 54-526W | SPST | ON | NONE | OFF | Nylon | Green | - | AC | S117 |
| 54-527W | SPST | ON | NONE | OFF | Nylon | - | Red | DC | S117 |
| 54-529W | SPST | ON | NONE | OFF | Nylon | - | Green | DC | S117 |
| 54-531W | SPST | ON | NONE | OFF | Nylon | Red | - | AC | S117 |

* Designates Non-Illuminated Type

S117



Specifications

Current Rating: 16A 125VAC, 10A 250VAC
Lamp Voltage: 110V Neon (AC) & 12V LED (DC)
Insulation Resistance: 100 Megohms (min.) at 500VDC
Dielectric Strength: 1500V RMS (min.)
Temperature Rating: +32° to +185°F (0° to +85°C)
Electrical Life: 10,000 cycles
Mechanical Life: 50,000 cycles at full load
Terminal Type: .187" Tab Q.C.
Mounting Hole: .795 (20.2)

Round Illuminated



Features

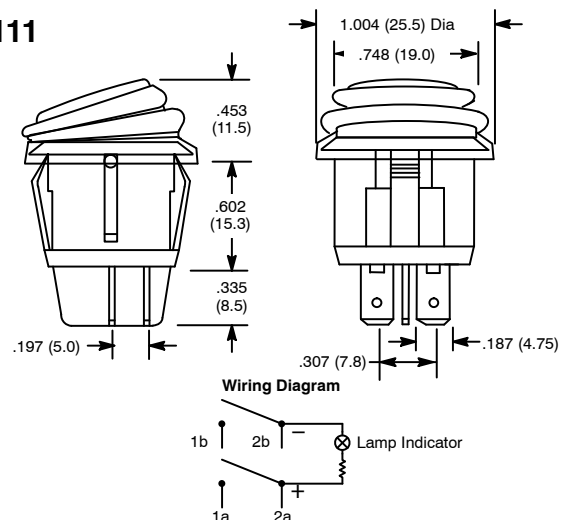
- **Waterproof:** IP65
- **Double Pole**
- **.187" Quick Connect Terminals**



| NTE Type No. | Circuitry | Action | | | Actuator | | | Diag No. | |
|--------------|-----------|--------|------|-----|----------|-------|-------|----------|------|
| | | | | | Material | Color | | | Vltg |
| | | | | | | Neon | LED | | |
| 54-205W | DPST | ON | NONE | OFF | PC | Red | - | AC | S111 |
| 54-206W | DPST | ON | NONE | OFF | PC | - | Red | DC | S111 |
| 54-209W | DPST | ON | NONE | OFF | PC | Green | - | AC | S111 |
| 54-210W | DPST | ON | NONE | OFF | PC | - | Green | DC | S111 |
| 54-211W* | DPST | ON | NONE | OFF | PC | Black | N/A | S111 | |

* Designates Non-Illuminated Type

S111



Specifications

Current Rating: 16A 125VAC, 10A 250VAC
Lamp Voltage: 110V Neon (AC) & 12V LED (DC)
Insulation Resistance: 100 Megohms (min.) at 500VDC
Dielectric Strength: 1500V RMS (min.)
Temperature Rating: +32° to +185°F (0° to +85°C)
Electrical Life: 10,000 cycles
Mechanical Life: 50,000 cycles at full load
Terminal Type: .187" Tab Q.C.
Mounting Hole: .795 (20.2)

Waterproof Rocker Switches

Round Illuminated

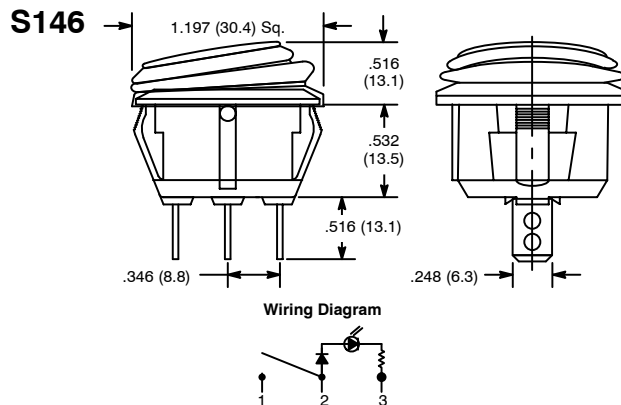


Features

- Waterproof: IP65
- .250" Quick Connect Terminals



| NTE Type No. | Circuitry | Action | | | Actuator | | | Diag No. | |
|--------------|-----------|--------|------|-----|----------|-------|-----|----------|------|
| | | | | | Material | Color | | | Vltg |
| | | | | | | Neon | LED | | |
| 54-739W | SPST | ON | NONE | OFF | PC | - | Red | AC | S146 |



Specifications

Current Rating: 16A 125VAC
Lamp Voltage: 110V
Insulation Resistance: 100 Megohms (min.) at 500VDC
Dielectric Strength: 1500V RMS (min.)
Temperature Rating: -13° to +185°F (-25° to +85°C)
Electrical Life: 6,000 cycles
Mechanical Life: 10,000 cycles
Terminal Type: .250" Tab Q.C.
Mounting Hole: .945 (24.0)

Dual Color Illuminated



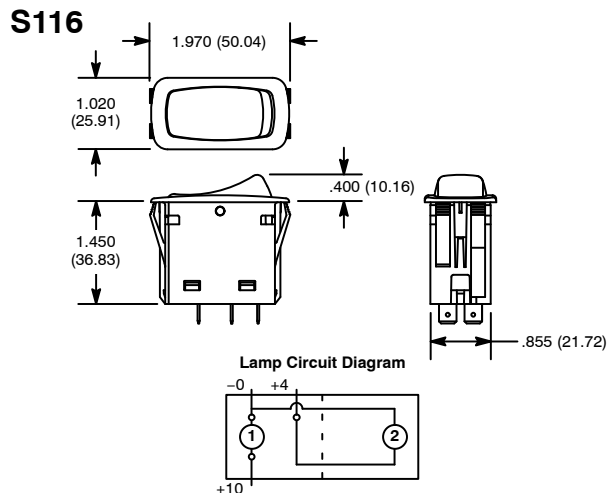
Features

- IP67 Certified
- Single and Double Pole
- Dual Color Types
- .250" Quick Connect Terminals



| NTE Type No. | Circuitry | Action | | | Actuator | | | Diag No. | |
|--------------|-----------|--------|------|------|----------|-------|-------------|----------|------|
| | | | | | Material | Color | | | Vltg |
| | | | | | | Neon | LED | | |
| 54-150 | SPST | ON | NONE | OFF | Nylon | - | Amber/Green | DC | S116 |
| 54-151 | SPST | (ON) | NONE | OFF | Nylon | - | Amber/Green | DC | S116 |
| 54-153 | SPDT | ON | OFF | ON | Nylon | - | Amber/Green | DC | S116 |
| 54-154 | SPDT | ON | OFF | (ON) | Nylon | - | Amber/Green | DC | S116 |
| 54-157 | DPDT | ON | NONE | ON | Nylon | - | Amber/Green | DC | S116 |
| 54-158 | DPDT | (ON) | OFF | (ON) | Nylon | - | Amber/Green | DC | S116 |

SPECIAL NOTE: () = Momentary Function



Specifications

Current Rating: 20A 12VDC,
Lamp Voltage: 12V LED (DC)
Insulation Resistance: 50 Megohms
Dielectric Strength:
Between Pole to Pole: 1250 VRMS
Between Live Parts & Accessible Surfaces: 3750 VRMS
Temperature Rating: -40° to +185°F (-40° to +85°C)
Electrical Life: 100,000 cycles maintained
 50,000 cycles momentary at rated voltage & current
Mechanical Life: 250,000 cycles min.
Terminal Type: .250" Tab Q.C.
Mounting Hole: 1.734 (44.04) x .867 (22.02)

Waterproof Rocker Switches

Illuminated & Non-Illuminated



Features

- **Waterproof:** IP66 (Note 1)
- **Single and Double Pole**
- **Available in Single and Dual Color Types**
- **.250" Quick Connect Terminals**



| NTE Type No. | Circuitry | Action | | | Actuator | | | | Diag No. |
|--------------|-----------|--------|------|------|----------|-------|-------|------|----------|
| | | | | | Material | Color | | Vltg | |
| | | | | | | Neon | LED | | |
| 54-225W* | SPST | ON | NONE | OFF | PC | Black | - | N/A | S113 |
| 54-226W* | DPDT | ON | NONE | ON | PC | Black | - | N/A | S113 |
| 54-227W* | SPDT | ON | NONE | ON | PC | Black | - | N/A | S113 |
| 54-228W# | SPDT | ON | OFF | ON | PC | Black | - | N/A | S113 |
| 54-229W* | DPDT | ON | OFF | ON | PC | Black | - | N/A | S113 |
| 54-230W | SPST | ON | NONE | OFF | PC | Red | - | AC | S113 |
| 54-231W | SPST | ON | NONE | OFF | PC | - | Red | DC | S113 |
| 54-232W | SPST | ON | NONE | OFF | PC | Green | - | AC | S113 |
| 54-233W | SPST | ON | NONE | OFF | PC | - | Green | DC | S113 |
| 54-234W | SPST | ON | NONE | OFF | PC | Blue | - | AC | S113 |
| 54-235W | SPST | ON | NONE | OFF | PC | - | Blue | DC | S113 |
| 54-238W# | SPDT | ON | NONE | ON | PC | Rd/Gn | - | AC | S113 |
| 54-239W | SPDT | ON | NONE | ON | PC | - | Rd/Gn | DC | S113 |
| 54-240W | SPDT | ON | OFF | ON | PC | Rd/Gn | - | AC | S113 |
| 54-241W | SPDT | ON | OFF | ON | PC | - | Rd/Gn | DC | S113 |
| 54-246W | SPDT | ON | NONE | ON | PC | Rd/Rd | - | AC | S113 |
| 54-247W | SPDT | ON | NONE | ON | PC | - | Rd/Rd | DC | S113 |
| 54-248W | SPDT | ON | OFF | ON | PC | Rd/Rd | - | AC | S113 |
| 54-249W | SPDT | ON | OFF | ON | PC | - | Rd/Rd | DC | S113 |
| 54-250W* | DPDT | (ON) | OFF | (ON) | PV | Black | - | N/A | S113 |

* Designates Non-Illuminated Type
 SPECIAL NOTE: () = Momentary Function
 Note 1: 54-228W & 54-241W are IP56

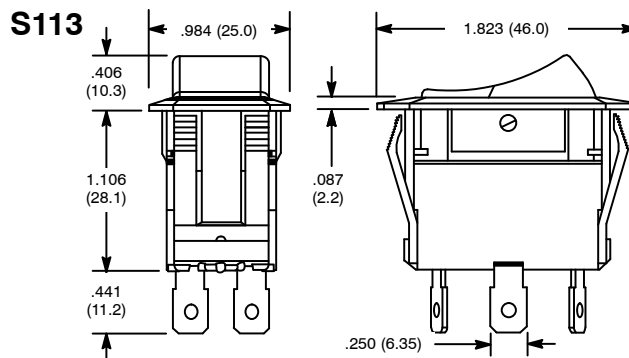
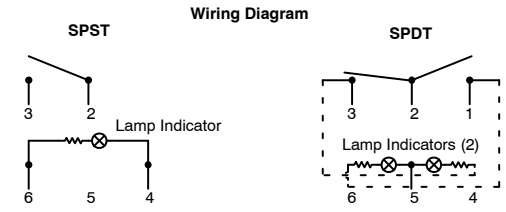


Table 1.

| Panel Thickness | Y |
|---------------------------|--------------|
| .030 (.750) - .049 (1.25) | 1.441 (36.6) |
| .049 (1.25) - .079 (2.00) | 1.449 (36.8) |
| .079 (2.00) - .118 (3.00) | 1.457 (37.0) |



Specifications

- Current Rating:** 21A 14VDC
20A, 125VAC (54-228W & 54-238W Only)
- Lamp Voltage:** 110V Neon (AC) & 12V LED (DC)
- Insulation Resistance:** 100 Megohms (min.) at 500VDC
- Dielectric Strength:** 1500V RMS (min.)
- Temperature Rating:** +32° to +149°F (0° to +65°C)
+68° to +185°F (+20° to +85°C) (54-228W Only)
- Electrical Life:** 10,000 cycles
- Mechanical Life:** 50,000 cycles at full load
- Terminal Type:** .250" Tab Q.C.
- Mounting Hole:** See Table 1