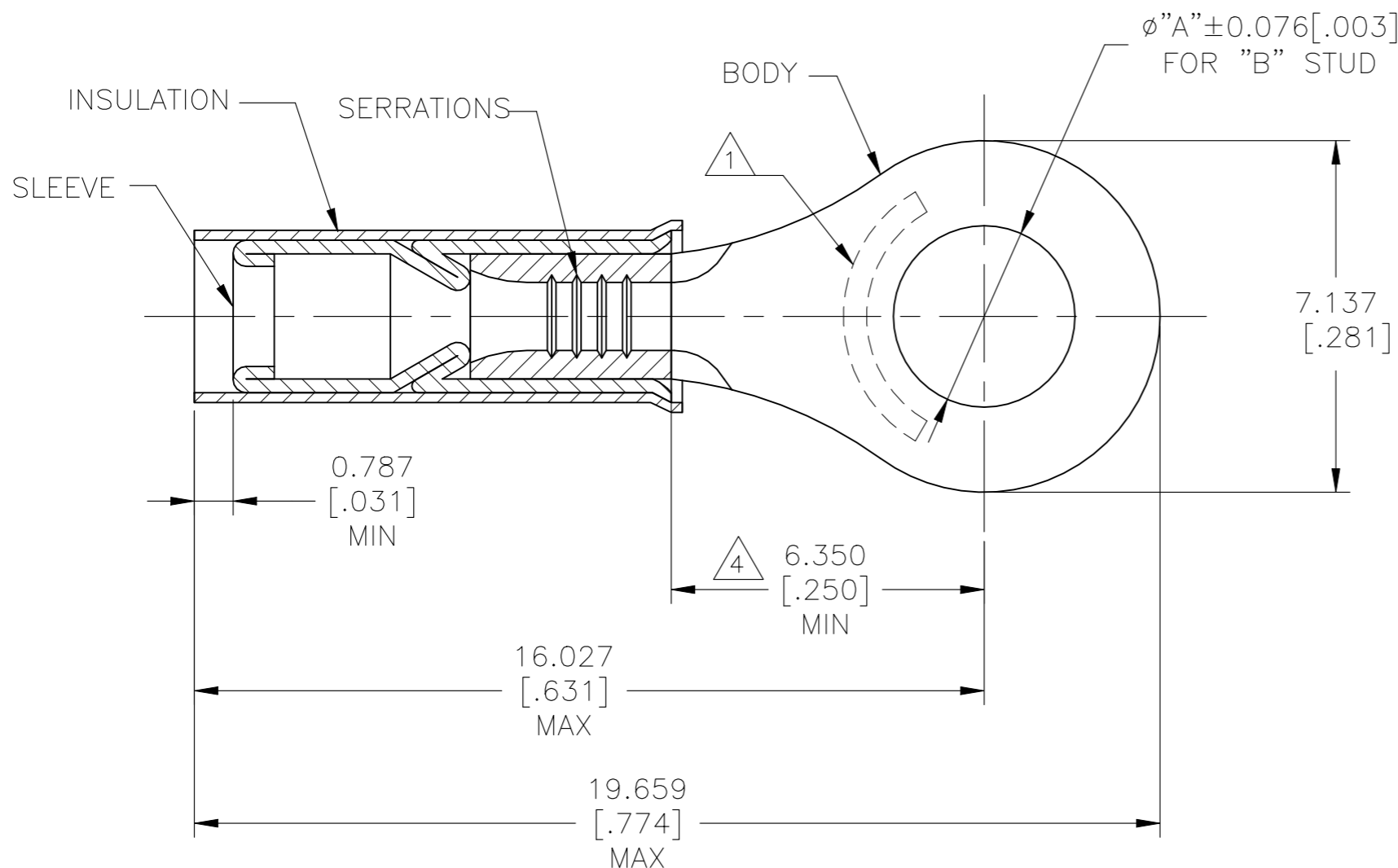


REVISIONS

P	LTR	DESCRIPTION	DATE	DWN	APVD
	K9	ECR-22-138429	19MAY2022	LP	DSC

AMP
WIRE RANGE

22-20 AWG
STRANDED



- 1 STAMP AMP 22-20 APPROX AS SHOWN
- 2 FOR 0.889[.035] TO 2.540[.100] WIRE INSULATION DIA
- 3 BODY MATERIAL THK: 0.584±0.051 [.023±.002]
- 4 DIMENSION APPLIES FROM EDGE OF METAL WIRE BARREL TO CENTER OF STUD HOLE.
- 5 MATERIAL:
BODY & SLEEVE - COPPER PER ASTM B152
INSULATION - PTFE PER ASTM D4895
- 6 FINISH:
BODY - NICKEL PLATE 0.00762[.00030]
AVG EXT THK PER SAE AMS-QQ-N-290
SLEEVE - NICKEL PLATE 0.001651[.000065]
AVG EXT THK PER SAE AMS-QQ-N-290
INSULATION COLOR - GREEN
- 7 NOTE DELETED
- 8 NOTE DELETED
- 9 NOTE DELETED
- 10 NOTE DELETED

M3.5 [#6]	3.683[.145]	1000	LOOSE PIECE	50831-1
#4	3.023[.119]	1000	LOOSE PIECE	50831
"B"	"A"	QTY	PACKAGE TYPE	PART NO.

AMP INCORPORATED
CUSTOMER SERVICE SYSTEMS

MAX RECOMMENDED OPERATING TEMPERATURE:
288°C [550°F]

THIS DRAWING IS A CONTROLLED DOCUMENT.

DWN JR RUTH 06AUG07



FOR ADDITIONAL PRODUCT INFORMATION OR COPIES OF DRAWINGS AND TECHNICAL DOCUMENTS

PRODUCT INFORMATION CENTER
1-800-522-6752

VOLTAGE RATING:
300V MAX

DIMENSIONS:
mm [INCHES]

TOLERANCES UNLESS OTHERWISE SPECIFIED:

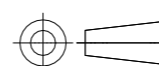
CHK T MICHELUTTI 06AUG07

NAME
TERMINAL, RING TONGUE,
PIDG, STRATO-THERM,
WIRE SIZE: 22-20 AWG

FOR APPLICATION TOOLING INFORMATION

TOOLING ASSISTANCE CENTER
1-800-722-1111

CIRCULAR MIL AREA:
0.26-0.65mm²[509-1,290]
STRANDED WIRE ONLY



0 PLC	± -
1 PLC	± -
2 PLC	± -
3 PLC	± 0.127[.005]
4 PLC	± -
ANGLES	± -

APVD T MICHELUTTI 06AUG07

PRODUCT SPEC

APPLICATION SPEC
114-2162

SIZE	CAGE CODE	DRAWING NO	RESTRICTED TO
A3	00779	C-50831	-

FOR ORDER ENTRY 1-800-526-5142

MATERIAL



FINISH



CUSTOMER DRAWING

SCALE	SHEET	REV
8:1	1 OF 1	K9