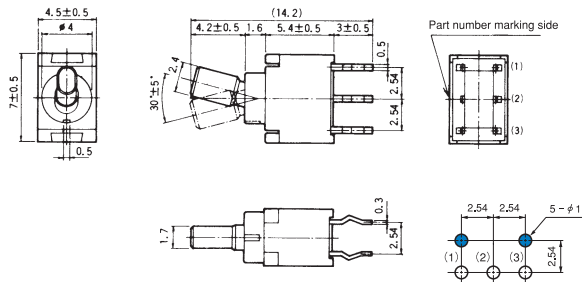
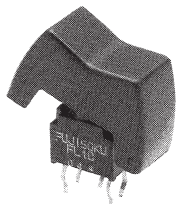


SPDT

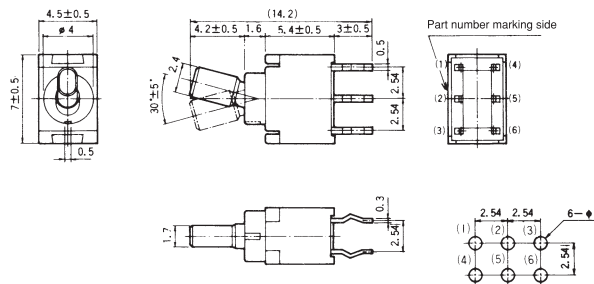
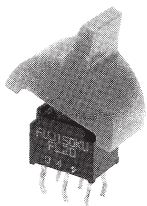


Switching function	Viewed from part No. marking side			
Part No.	FL1D-2M-Z	ON	—	ON
Connecting terminals	2-1	—	2-3	

Mount with Rocker
PC Straight

Terminal numbers are not shown on the bottom of the switch. (Top view)
PC Hole Layouts

DPDT

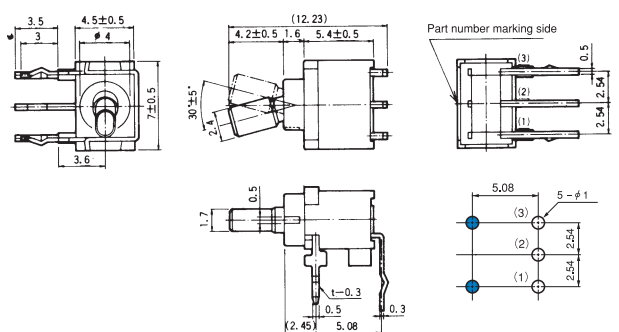
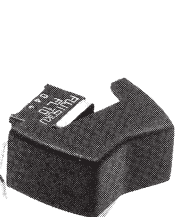


Switching function	Viewed from part No. marking side			
Part No.	★FL2D-2M-Z	ON	—	ON
Connecting terminals	2-1 5-4	—	2-3 5-6	

Mount with Lever
PC Straight

Terminal numbers are not shown on the bottom of the switch. (Top view)
PC Hole Layouts

SPDT

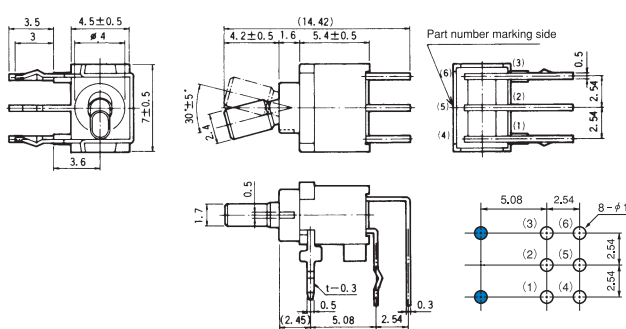
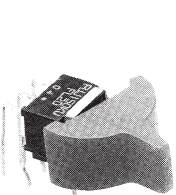


Switching function	Viewed from part No. marking side			
Part No.	★FL1D-5M-Z	ON	—	ON
Connecting terminals	2-3	—	2-1	

Mount with Rocker
R/A

Terminal numbers are not shown on the bottom of the switch. (Top view)
PC Hole Layouts

DPDT

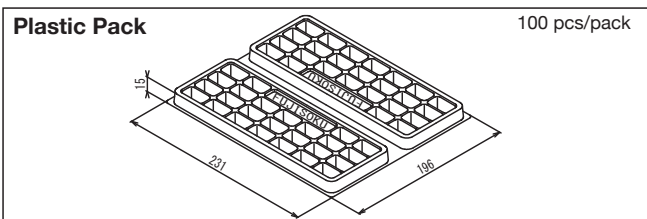


Switching function	Viewed from part No. marking side			
Part No.	★FL2D-5M-Z	ON	—	ON
Connecting terminals	2-3 5-6	—	2-1 5-4	

Mount with Lever
R/A

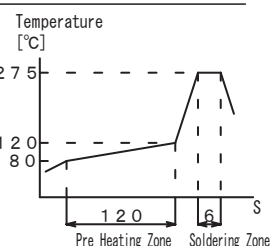
Terminal numbers are not shown on the bottom of the switch. (Top view)
PC Hole Layouts

■ Packaging Specifications



■ Soldering Specifications

- (1) Manual Soldering
Device: Soldering iron
380°C, Max.; 3 seconds, Max.
- (2) Auto Soldering
Device: Jet wave type or dip type
275°C; 6 seconds, Max.



★ : Made to order products.