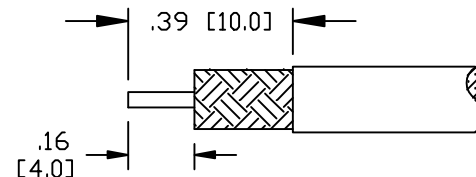
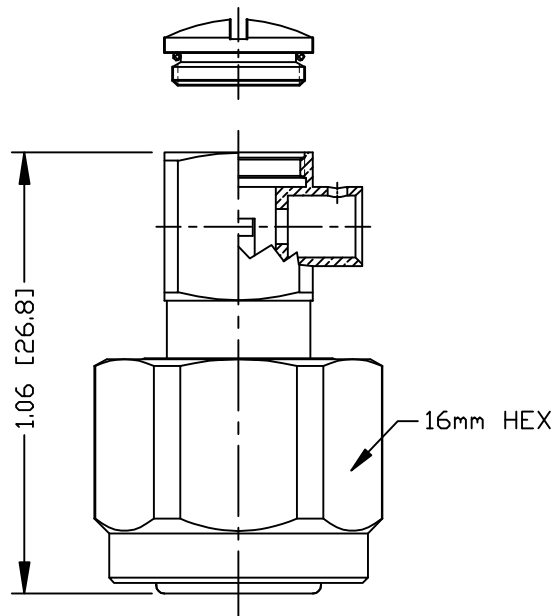


PART NO.

**RFD-225MRA-SR2**

REV	DESCRIPTION	DWN	DATE	APPROVED
-	ENGINEERING RELEASE	CZS	08/14/20	JDM
A	CHANGED GENERAL SPECIFICATIONS	DM	10/2/20	JDM



RECOMMENDED STRIPPING DIMENSIONS

**SPECIFICATIONS:**

INTERFACE: IEC 61169-66

IMPEDANCE: 50 Ohms

FREQUENCY RANGE: 0-6 GHz

3rd ORDER IM:  $\leq -160$  dBc @ 700 MHz & 1900 MHz

3rd ORDER IM TEST METHOD: 2x43 dBm CARRIERS

RL MEASURED ON TFT-402-LF

RL 28 @ 0-2000 MHz

RL 25 @ 2000-3000 MHz

RL 20 @ 3000-6000 MHz

INSERTION LOSS(dB):  $\leq 0.05 \times \sqrt{f}$ (GHz)

WORKING VOLTAGE: 500 V rms Max. @ Sea Level

DIELECTRIC WITHSTANDING VOLTAGE: 1500 VRMS MIN.

INSULATION RESISTANCE: 5k M $\Omega$  MIN.

TEMPERATURE RANGE: -40°C TO 85°C

DURABILITY: 100 CYCLES MIN.

MATING TORQUE: 3 Nm

ENVIRONMENTAL: IP68 MATED

COMPLIANCE: RoHS

NET WEIGHT: 0.025 lb

\* USED ON: RG-402/U, TFT-402-LF, TFLEX-402, 1673A, SS402, EZ-FLEX-402

8	COUPLING NUT	1	BRASS	CuSnZn ALLOY
7	SCREW CAP	1	BRASS	CuSnZn ALLOY
6	O-RING	1	RUBBER	RED
5	RETAINING RING	1	Be.Cu.	NICKEL
4	O-RING	1	RUBBER	RED
3	PIN	1	BRASS	SILVER
2	INSULATOR	1	PTFE	NATURAL WHITE
1	BODY	1	BRASS	CuSnZn ALLOY
#	DESCRIPTION	QTY	MATERIAL	FINISH

CUSTOMER  
OUTLINE DRAWINGALL DIMENSIONS  
ARE REFERENCE ONLYUNLESS OTHERWISE SPECIFIED:  
DIMENSIONS ARE IN INCHES  
AND [MILLIMETERS]

DRAWN	D. McREYNOLDS	10/2/20
CHECKED		
ORJ DRAWN	C. ZUÑIGA	08/14/20

PROPRIETARY AND CONFIDENTIAL

THIS DRAWING CONTAINS INFORMATION PROPRIETARY TO RF INDUSTRIES. ANY UNAUTHORIZED USE OF THIS DRAWING IS EXPRESSLY PROHIBITED WITHOUT WRITTEN PERMISSION FROM RF INDUSTRIES. ANY VIOLATION IS PUNISHABLE UNDER U.S. COPYRIGHT LAWS.

**RFconnectors**

DIVISION OF RF INDUSTRIES, LTD.

RFINDUSTRIES.COM  
7610 MIRAMAR RD.  
SAN DIEGO, CA 92126  
(858) 549-6340  
(858) 549-6345 FAX

**2.2/5 MALE R/A**  
**FOR RG-402 TYPE CABLE**

CABLE GROUP	DWG #	REVISION
SR2	<b>RFD-225MRA-SR2</b>	A
FORMAT	SCALE	CONTROL #
A	NTS	000000
		SHEET 1 OF 1